

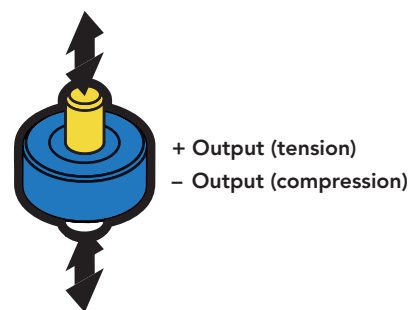




**FEATURES**

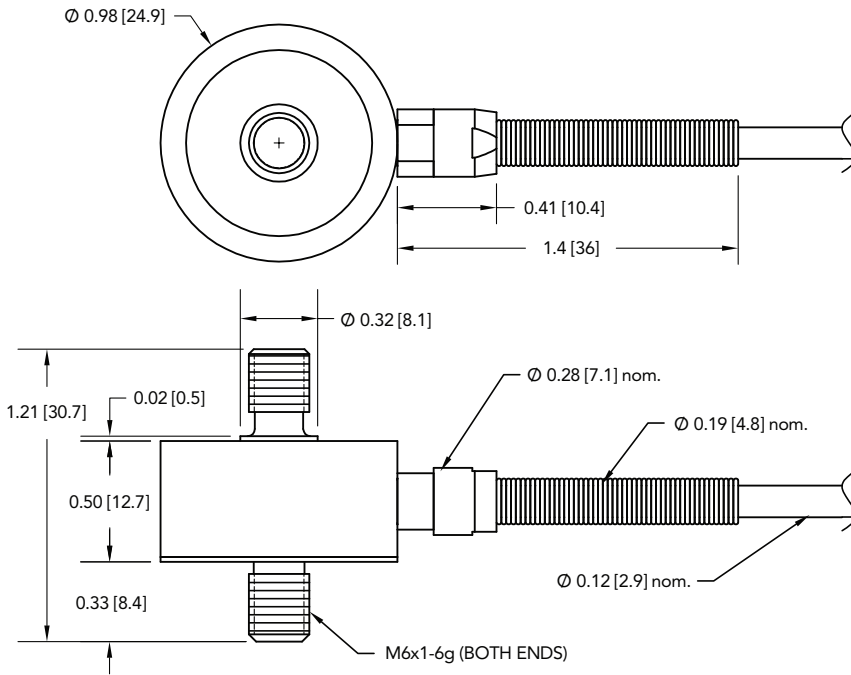
- Minimal mounting clearance
- 17-4 PH stainless-steel construction
- For use in both tension and compression
- Utilizes metal foil strain gauge technology
- Adheres to RoHS directive 2011/65/EU
- Accessories and related instruments available

-  Non-loading surface, do not contact
-  Active End



SPECIFICATIONS	
PERFORMANCE	
Nonlinearity	±0.25% of RO
Hysteresis	±0.25% of RO
Nonrepeatability	±0.1% of RO
ELECTRICAL	
Rated Output (RO)	2 mV/V nom
Excitation (VDC or VAC)	15 max
Bridge Resistance	740 Ohm nom
Insulation Resistance	≥500 MOhm @ 50 VDC
Connection	#28 AWG, 4 conductor braided-shielded PVC cable 10 ft (3 m) long
Wiring/Connector Code	WC1
MECHANICAL	
Weight (minus cable)	1.5 oz [42.5 g]
Safe Overload	150% of RO
Deflection	0.001 in [0.03 mm] nom
Material (flexure)	17-4 PH stainless-steel
IP Rating	IP64
TEMPERATURE	
Operating Temperature	-45 to 200°F (-42 to 93°C)
Compensated Temperature	60 to 160°F (15 to 72°C)
Temperature Shift Zero	±0.005% of RO/°F (±0.01 of RO/°C)
Temperature Shift Span	±0.02% of load/°F (±0.036 of load/°C)
CALIBRATION	
Calibration Test Excitation	10 VDC
Calibration (standard)	5-pt Tension
Calibration (available)	Compression
Shunt Calibration Value	100 kOhm
CONFORMITY	
RoHS	2011/65/EU
CE	EN55011:2009; EN61326-1:2006

**DIMENSIONS** inches [mm]



**WIRING CODE (WC1)**

RED	+ EXCITATION
BLACK	- EXCITATION
GREEN	+ SIGNAL
WHITE	- SIGNAL
SHIELD	FLOATING

**CAPACITIES**

ITEM #	lb	N	Natural Frequency (kHz)
FSH03884	50	223	7.5
FSH03885	100	445	10.2
FSH03886	250	1112	16.2
FSH03887	500	2224	22.9
FSH03888	1000	4448	30.1



Drawing Number: FI1059-D

FUTEK reserves the right to modify its design and specifications without notice. Please visit <http://www.futek.com/salesterms> for complete terms and conditions.

10 Thomas, Irvine, CA 92618 USA

Tel: (949) 465-0900

Fax: (949) 465-0905

[www.futek.com](http://www.futek.com)



R0HS



U.S. Manufacturer