



## FEATURES

- Fast response and low deflection
- Notable Nonlinearity
- Robust cable strain relief
- For use in both tension and compression
- Miniature size

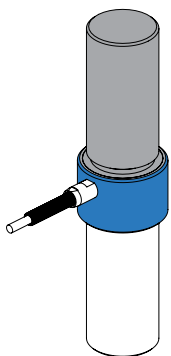
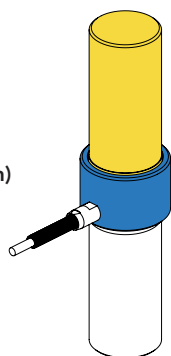
 Non-loading surface, do not contact

 Active End

 Fixed End

+ Output (tension)

- Output (compression)



## SPECIFICATIONS

### PERFORMANCE

Nonlinearity  $\pm 0.2\%$  of RO

Hysteresis  $\pm 0.2\%$  of RO

Nonrepeatability  $\pm 0.1\%$  of RO

### ELECTRICAL

Rated Output (RO) 2 mV/V nom

Excitation (VDC or VAC) 18 max

Bridge Resistance 350 Ohm nom

Insulation Resistance  $\geq 500$  MOhm @ 50 VDC

Connection #28 AWG, 4 conductor, braided shielded PVC cable, 10 ft [3 m] long

Wiring/Connector Code WC1

### MECHANICAL

Weight (approximate) 18 oz [510 g]

Safe Overload 150% of RO

Deflection 0.004 in. [0.102 mm] nom

Material (flexure) 17-4 PH stainless-steel

IP Rating IP64

### TEMPERATURE

Operating Temperature -45 to 200°F (-42 to 93°C)

Compensated Temperature 60 to 160°F (15 to 72°C)

Temperature Shift Zero  $\pm 0.005\%$  of RO/°F (0.01% of RO/°C)

Temperature Shift Span  $\pm 0.005\%$  of Load/°F (0.01% of Load/°C)

### CALIBRATION

Calibration Test Excitation 10 VDC

Calibration (standard) 5-pt Tension

Calibration (available) Compression

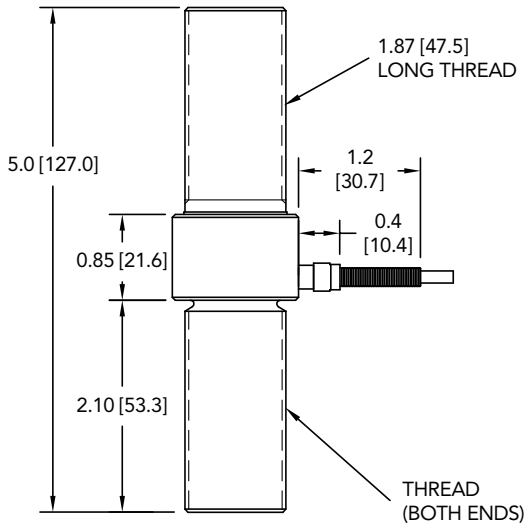
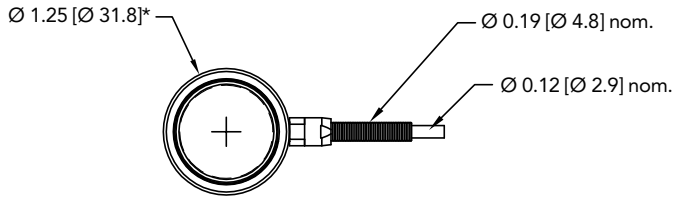
Shunt Calibration Value 60.4 kOhm

### CONFORMITY

RoHS EU 2015/863

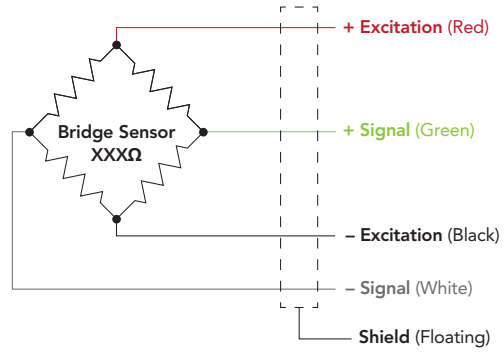
CE EN55011; EN61326-1

**DIMENSIONS** inches [mm]



**WIRING CODE** (WC1 WITH SHIELD)

RED	+ EXCITATION
BLACK	- EXCITATION
GREEN	+ SIGNAL
WHITE	- SIGNAL
SHIELD	FLOATING



**CAPACITIES**

ITEM #	klb	kN	Thread	Natural Frequency (kHz)
FSH04088	20	88.9	1-14	9.9
FSH04089	20	88.9	M24x3	9.9

Drawing Number: F11438-B

FUTEK reserves the right to modify its design and specifications without notice.  
Please visit [www.futek.com/salesterms](http://www.futek.com/salesterms) for complete terms and conditions.

10 Thomas, Irvine, CA 92618 USA

Tel: (949) 465-0900  
Fax: (949) 465-0905

[www.futek.com](http://www.futek.com)



R0HS



U.S. Manufacturer