



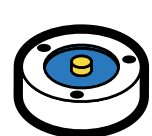
### FEATURES

- Ultra low deflection
- Robust strain relief
- 17-4 PH stainless-steel construction
- For use in compression
- Utilizes metal foil strain gauge technology
- Adheres to RoHS directive 2011/65/EU

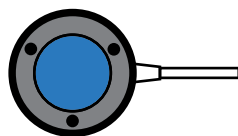
 Non-loading surface, do not contact

 Active End

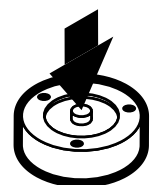
 Fixed End



Top view



Bottom view



+ Output (compression)

### SPECIFICATIONS

#### PERFORMANCE

Nonlinearity See chart on next page

Hysteresis See chart on next page

Nonrepeatability  $\pm 0.05\%$  of RO

#### ELECTRICAL

Rated Output (RO) 2 mV/V nom (100 to 2000 lb),  
2.5 mV/V nom (2500 lb)

Excitation (VDC or VAC) 18 max

Bridge Resistance 740 Ohm nom

Insulation Resistance  $\geq 500$  MOhm @ 50 VDC

Connection #26 AWG, 4 conductor, braided shielded Teflon cable 10 ft [3 m] long

Wiring/Connector Code WC1

#### MECHANICAL

Weight (approximate) 3.7 oz [102 g]

Safe Overload 150% of RO

Deflection 0.001 in [0.025 mm] nom

Material 17-4PH stainless-steel

IP Rating IP64

#### TEMPERATURE

Operating Temperature  $-60$  to  $200^{\circ}\text{F}$  [ $-50$  to  $93^{\circ}\text{C}$ ]

Compensated Temperature 60 to  $160^{\circ}\text{F}$  [ $15$  to  $72^{\circ}\text{C}$ ]

Temperature Shift Zero  $\pm 0.01\%$  of RO/ $^{\circ}\text{F}$  [ $0.018\%$  of RO/ $^{\circ}\text{C}$ ]

Temperature Shift Span  $\pm 0.02\%$  of LOAD/ $^{\circ}\text{F}$  [ $0.036\%$  of LOAD/ $^{\circ}\text{C}$ ]

#### CALIBRATION

Calibration Test Excitation 10 VDC

Calibration (standard) 5-pt Compression

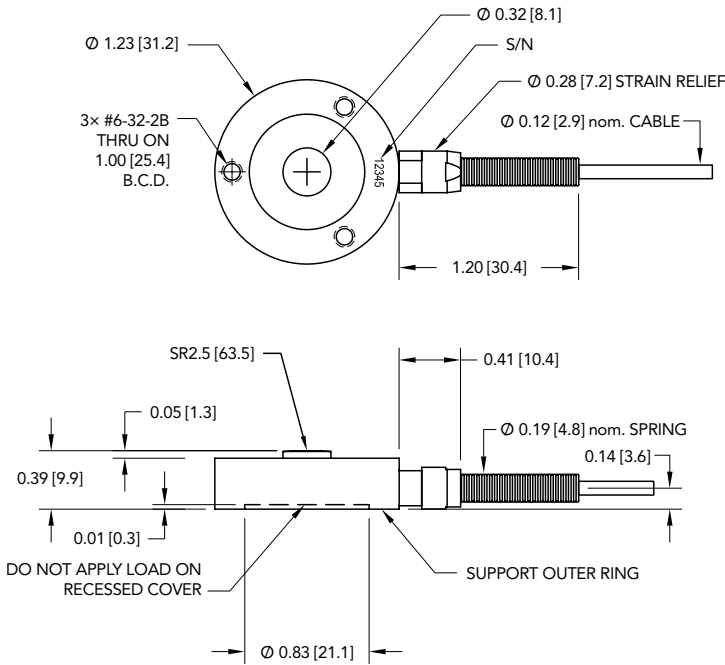
Shunt Calibration Value 100 kOhm, 87.325 kOhm (2500 lb)

#### CONFORMITY

RoHS 2011/65/EU

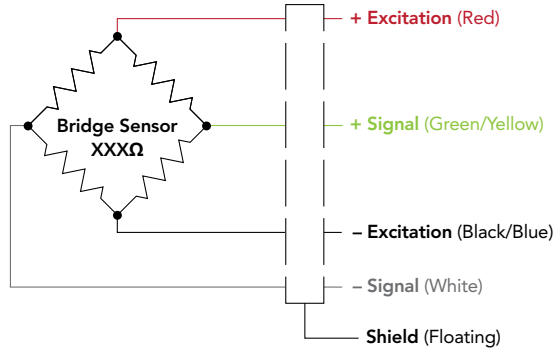
CE EN55011:2009; EN61326-1:2006

**DIMENSIONS** inches [mm]



**WIRING CODE (WC1 WITH SHIELD)**

RED	+ EXCITATION
BLACK	- EXCITATION
GREEN	+ SIGNAL
WHITE	- SIGNAL
SHIELD	FLOATING



**CAPACITIES**

ITEM #	lb.	N	Nonlinearity % of RO	Hysteresis % of RO	Natural Frequency (kHz)
F5H03889	100	445	±0.15	±0.15	12.3
F5H03890	250	1112	±0.15	±0.15	18
F5H03891	500	2224	±0.25	±0.25	24
F5H03892	1000	4448	±0.25	±0.25	29.9
F5H03893	2000	8896	±0.35	±0.35	30.7
F5H03894	2500	11120	±0.50	±0.50	31.8



Drawing Number: F11055-G

FUTEK reserves the right to modify its design and specifications without notice. Please visit [www.futek.com/salesterms](http://www.futek.com/salesterms) for complete terms and conditions.

10 Thomas, Irvine, CA 92618 USA

Tel: (949) 465-0900

Fax: (949) 465-0905

[www.futek.com](http://www.futek.com)



RoHS



U.S. Manufacturer