

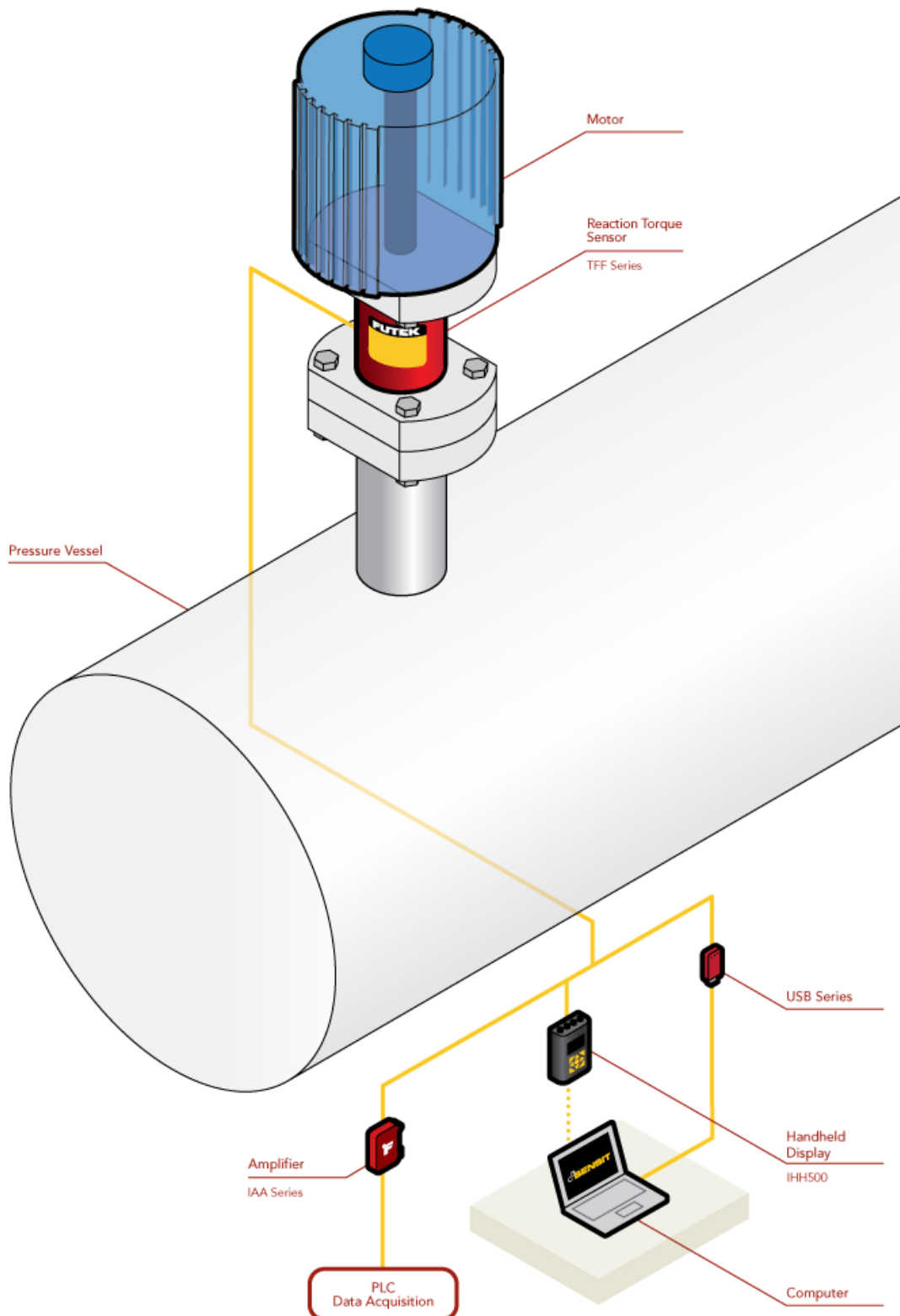


应用概述

反作用扭矩传感器常被用作审计和监控工具。这个应用利用 TFF 系列扭矩传感器来测量电动阀门驱动器/电机的反作用扭矩。

使用产品

FUTEK 的反作用扭矩法兰对法兰传感器(TFF 系列), 搭配仪器(IAA 系列模拟放大器、USB 解决方案和 IHH500 手持式显示仪表)。



扭矩传感器

Sensor Solution Source

Load · Torque · Pressure · Multi Axis · Calibration · Instruments · Software

www.omgl.com.cn | sales@omgl.com.cn



U.S. Manufacturer



使用说明

1. In this application, a Reaction Torque Sensor is mounted between the electric valve actuator and valve housing。
2. The valve stem passes freely through and does not make contact with the Reaction Torque Sensor。
3. The TFF Series Reaction Torque Sensor measures the torsion/torque moments required by the valve actuator to operate the valve。
4. The TFF Series measurements are then outputted to a digital display (IHH500), streamed to a PC using FUTEK's USB solutions, or amplified with IAA series for using with PLCs and data acquisition devices。
5. In addition, data can be viewed in real time and logged by operators using FUTEK's SENSIT™ Test and Measurement Software.



TFF 系列
静态扭矩传感器



IAA 系列
应变式放大器



USB 方案
USB 采集模块



IHH500
手持式显示仪表