

Actual Product Size Shown



Product Features

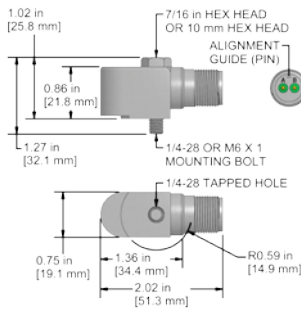
High Performance in an Affordable, Side Exit Compact Sensor

Very Low Noise

- Superior RF Immunity
- ±80 g, Peak Dynamic Range, ± 10% Sensitivity
- Standard 2 Pin MIL Connection

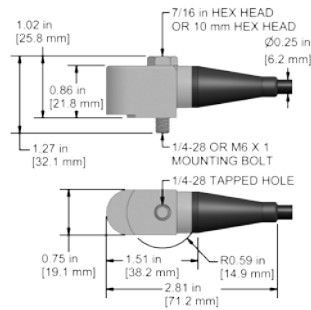
AC194-1D 2 Pin Connector

| Connector Pin | Polarity |
|---------------|------------------|
| A | (+) Signal/Power |
| B | (-) Common |



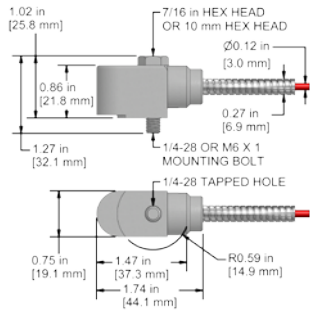
AC194-2D Integral Cable

| Conductor | Polarity |
|-----------|------------------|
| Red | (+) Signal/Power |
| Black | (-) Common |
| Shield | Cable Drain Wire |



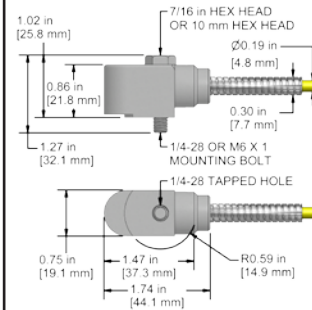
AC194-3D Armored Integral Cable

| Conductor | Polarity |
|-----------|------------------|
| Red | (+) Signal/Power |
| Black | (-) Common |
| Shield | Cable Drain Wire |



AC194-6D Heavy Duty Armored Integral Cable

| Conductor | Polarity |
|-----------|------------------|
| Red | (+) Signal/Power |
| Black | (-) Common |
| Shield | Cable Drain Wire |



| Specifications | Standard | Metric |
|-----------------------------|----------------------|--------------|
| Part Number | AC194 | M/AC194 |
| Sensitivity (±10%) | 100 mV/g | |
| Frequency Response (±3dB) | 30-600,000 CPM | 0.5-10000 Hz |
| Dynamic Range | ± 80 g, peak | |
| Electrical | | |
| Setting Time | <2 Seconds | |
| Voltage Source (IEPE) | 18-30 VDC | |
| Constant Current Excitation | 2-10 mA | |
| Spectral Noise @ 10 Hz | 8 µg/√Hz | |
| Spectral Noise @ 100 Hz | 4 µg/√Hz | |
| Spectral Noise @ 1000 Hz | 2 µg/√Hz | |
| Output Impedance | <100 ohm | |
| Bias Output Voltage | 10-14 VDC | |
| Case Isolation | >10 ⁸ ohm | |

| Specifications | Standard | Metric |
|---------------------------------|----------------------|-------------------|
| Environmental | | |
| Temperature Range | -58 to 250°F | -50 to 121°C |
| Maximum Shock Protection | 5,000 g, peak | |
| Electromagnetic Sensitivity | CE | |
| Sealing | IP68 | |
| Submersible Depth (AC194-2D/3D) | 200 ft. | 60 m |
| Physical | | |
| Sensing Element | PZT Ceramic | |
| Sensing Structure | Shear Mode | |
| Weight | 3.3 oz | 93 grams |
| Case Material | 316L Stainless Steel | |
| Mounting | 1/4-28 | |
| Connector (non-integral) | 2 Pin MIL-C-5015 | |
| Resonant Frequency | 1,200,000 CPM | 23000 Hz |
| Mounting Torque | 2 to 5 ft. lbs. | 2.7 to 6.8 Nm |
| Mounting Hardware | 1/4-28 Captive Bolt | M6x1 Captive Bolt |
| Calibration Certificate | CA10 | |

Ordering Information

| Standard | AC194-1D (1/4-28 Captive Bolt) | AC194-2D - / (1/4-28 Captive Bolt) | AC194-3D - / (1/4-28 Captive Bolt) | AC194-6D - / (1/4-28 Captive Bolt) |
|----------|-----------------------------------|---------------------------------------|---|--|
| | (length in feet) (termination) | (length in feet) (termination) | (maximum armor length 100 ft.) (cable length in feet) (termination) | (maximum armor length 20 ft.) (cable length in feet) (termination) |
| Metric | M/AC194-1D (M6x1 Captive Bolt) | M/AC194-2D - / (M6x1 Captive Bolt) | M/AC194-3D - / (M6x1 Captive Bolt) | M/AC194-6D - / (M6x1 Captive Bolt) |
| | (length in meters) (termination) | (length in meters) (termination) | (maximum armor length 30 m) (cable length in meters) (termination) | (maximum armor length 6 m) (cable length in meters) (termination) |

Cable Termination Options: E F L Z