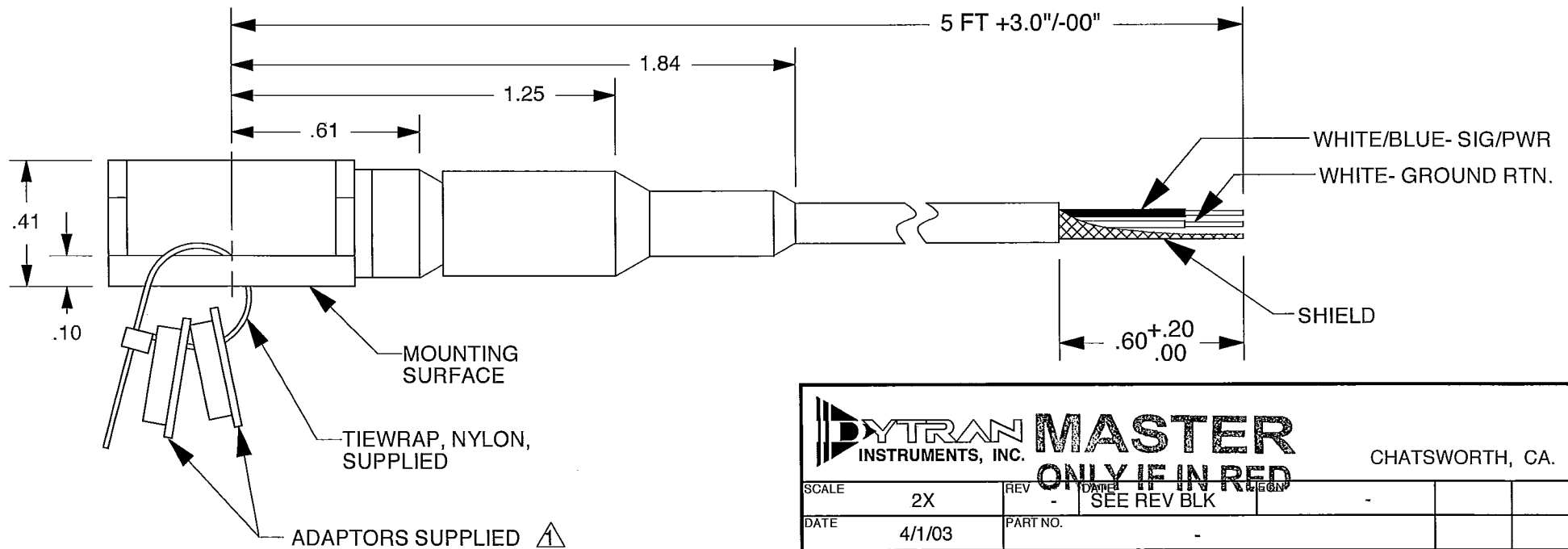
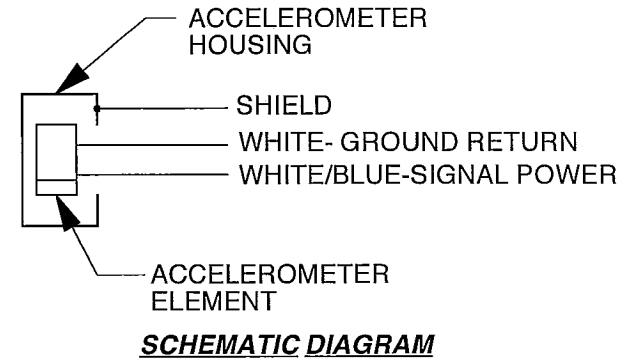
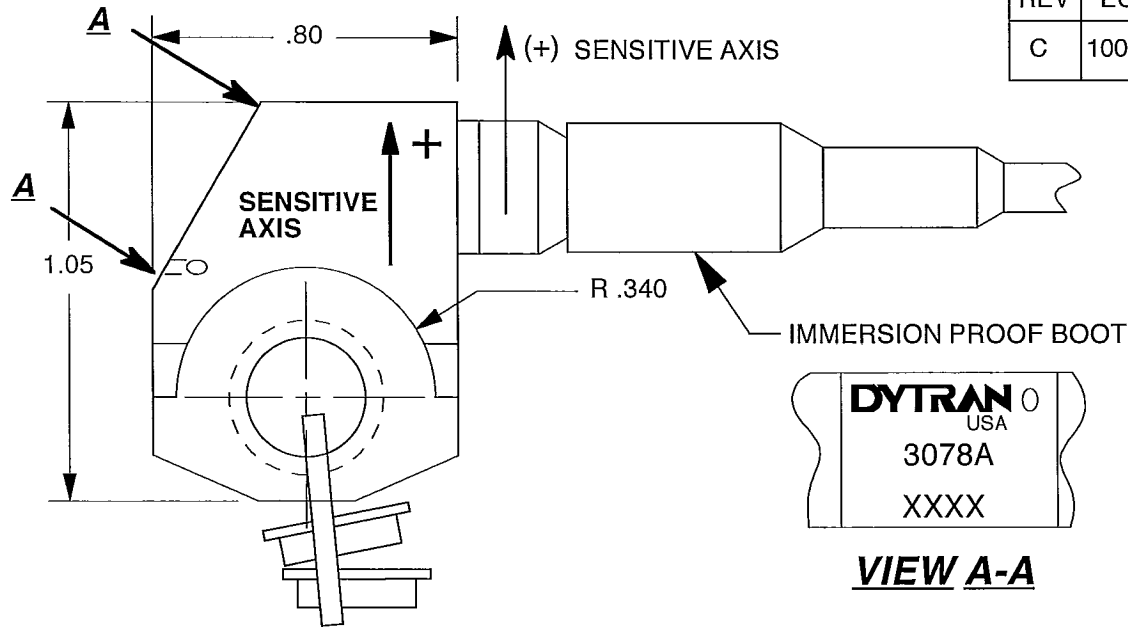


REV	ECN	DESCRIPTION	BY/DATE	CHK	APPR
C	10070	ADDED VIEW A-A, SENSITIVE AXIS	RLA 06/20/13	MH	



ADAPTER BUSHINGS SUPPLIED: (1) 6555A (Ø.250, THRU HOLE)
(1) 6555A1 (Ø.188, THRU HOLE)

		MASTER		CHATSORTH, CA.	
SCALE 2X		REV - DATE SEE REV BLK			
DATE 4/1/03		PART NO. -			
DRAWN N.C.		CHECKED R.A.		MATERIAL -	
APPROVED PML 4/7/05		NEXT ASSEMBLY		USED ON 3078A	
TITLE OUTLINE INSTALLATION DRAWING, MODEL 3078A				DWG NO. 127-3078A	
				SHEET 1 OF 1	

Model Number 3078A	PERFORMANCE SPECIFICATIONS	DOC NO PS3078A
IEPE ACCELEROMETER		REV B, ECN 14420, 09/06/18



- EXCELLENT LINEARITY
- ELECTRICALLY ISOLATED
- HERMETICALLY SEALED
- IMMERSION PROOF BOOT

ENGLISH	SI
---------	----

PHYSICAL

Weight, Max, less cable	0.7	oz	20	grams
Integral Cable, Radially Mounted	2-wire, Pigtail End			
Length	5	ft	1524	mm
Mounting Provision	Ø.312 Thru hole with Bushings			
Material, Housing/Connector	300 Series S.S			
Sensing Element	Quartz			
Cable Jacket Material	Tefzel			

PERFORMANCE

Sensitivity, ±5% [1]	10	mV/g	1.0	mV/m/s ²
Range for ± 5 Volts Output	±500	g	±4905	m/s ²
Frequency Response, ± 10%	1.1 to 5000	Hz	1.1 to 5000	Hz
Resonant Frequency	> 26	kHz	> 26	kHz
Broad Band Resolution [4]	0.007	Grms	0.07	m/s ² rms
Linearity [2]	± 1	% F.S.	± 1	% F.S.
Maximum Transverse sensitivity	5	%	5	%
Strain Sensitivity @ 250µε	0.012	g/µε	0.12	m/s ² /µε

ENVIRONMENTAL

Maximum Vibration	±600	G _{peak}	±5886	m/s ² peak
Maximum Shock	±3000	G _{peak}	±29430	m/s ² peak
Temperature Range	-60 to +250	°F	-51 to +121	°C
Seal	Hermetic			

ELECTRICAL

Supply Current Range [3]	2 to 20	mA	2 to 20	mA
Compliance Voltage Range	+18 to +30	Volts	+18 to +30	Volts
Output Impedance, Typ	100	Ω	100	Ω
Bias Voltage	7 to 9	VDC	7 to 9	VDC
Discharge Time Constant	0.3 to 2.0	Sec	0.3 to 2.0	Sec
Electrical Isolation	10	GΩ,min	10	GΩ,min

This family also includes:

Model	Sensitivity (mV/g)	Frequency Response (Hz)	Time Constant (Sec)	Operating Temp (°F)

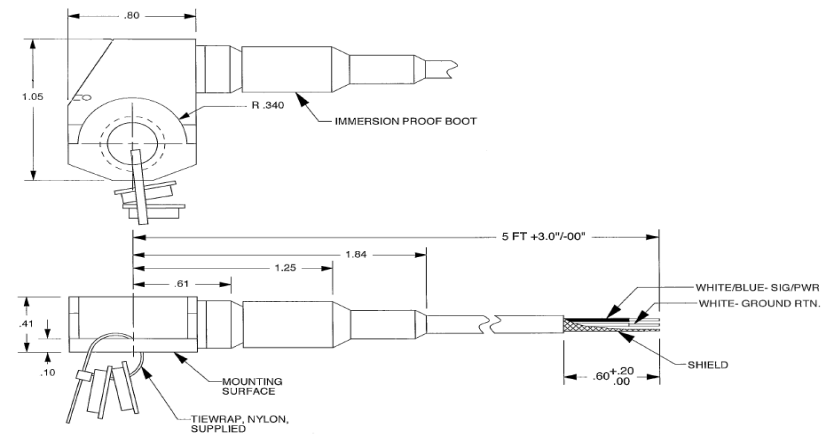
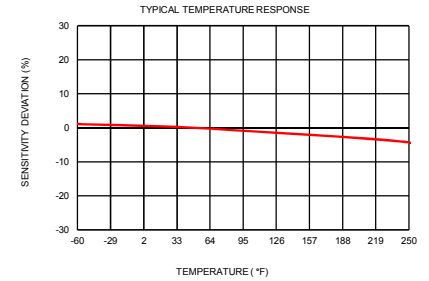
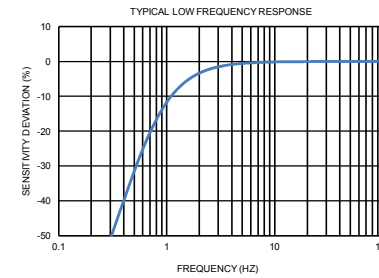
Refer to the performance specifications of the products in this family for detailed description

Supplied Accessories:

- 1) Accredited calibration certificate (ISO 17025)
- 2) Adaptor bushing (Ø .250 thru hole), model # 6555A, Qty. 1
- 3) Adaptor bushing (Ø .188 thru hole), model # 6555A1, Qty. 1

Notes:

- [1] Measured at 100Hz, 1 Grms per ISA RP 37.2.
- [2] Measured using zero-based straight line method, % of F.S. or any lesser range.
- [3] Do not apply power to this system without current limiting, 20 mA MAX. To do so will destroy the IC charge amplifier.
- [4] Typical. Not to exceed .010 Grms [1.0 m/s²].



Units on the line drawing are in inches, units in brackets are in millimeters. Refer to 127-3078A for more information.



21592 Marilla Street, Chatsworth, California 91311 Phone: 818.700.7818 Fax: 818.700.7880 www.dytran.com
For permission to reprint this content, please contact info@dytran.com