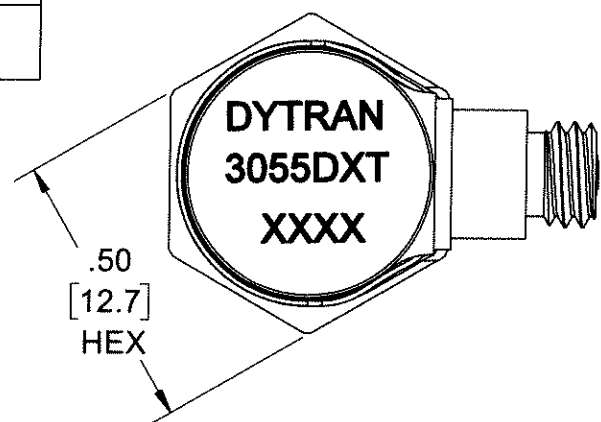


PROPRIETARY AND CONFIDENTIAL

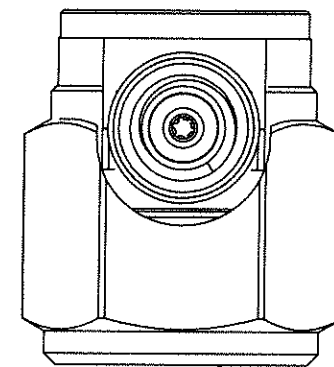
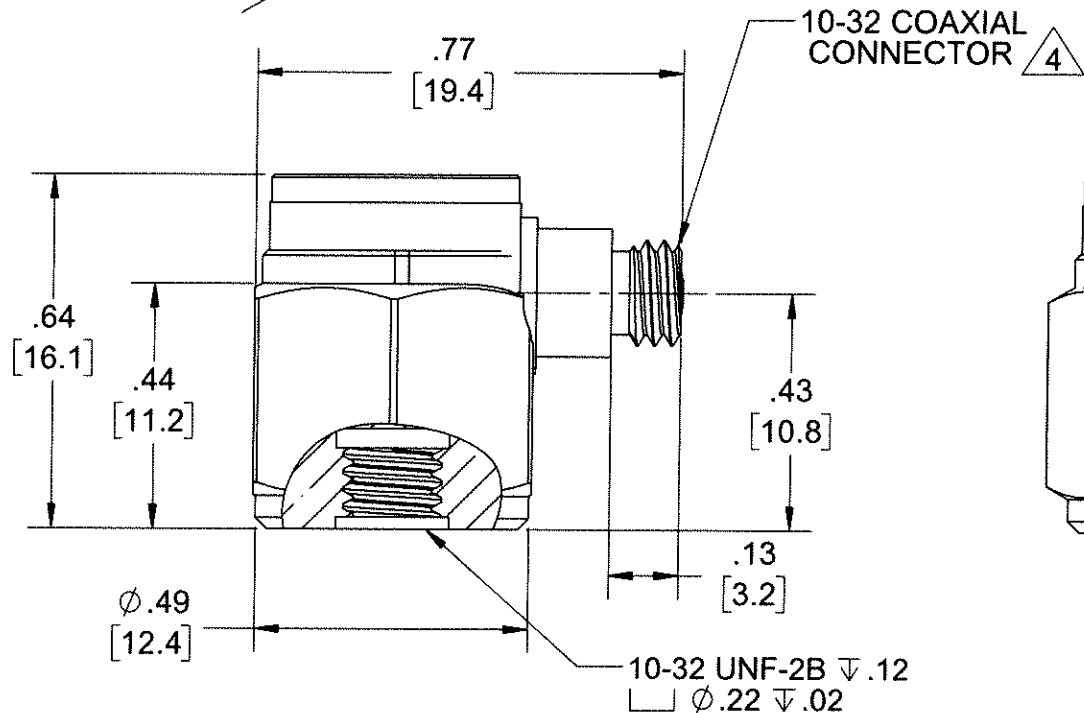
THE INFORMATION CONTAINED IN THIS DRAWING IS THE SOLE PROPERTY OF DYTRAN INSTRUMENTS INC. ANY REPRODUCTION IN PART OR AS A WHOLE WITHOUT THE WRITTEN PERMISSION OF DYTRAN INSTRUMENTS INC. IS PROHIBITED

MODEL	SENSITIVITY
3055D1T	10 mV/g
3055D2T	100 mV/g
3055D3T	500 mV/g
3055D4T	50 mV/g
3055D5T	20 mV/g
3055D6T	200 mV/g
3055D11T	1 mV/g
3055D12T	5 mV/g

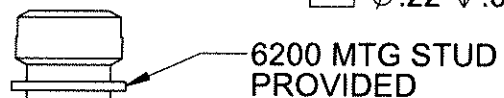
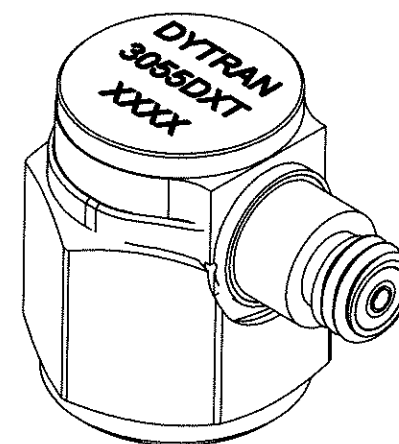


DWG NO 127-3055DT SH 1 REV D

REVISIONS					
REV.	ECN	DESCRIPTION	BY/DATE	CHK	APPR
A	11394	INITIAL RELEASE	RA, 11/06/14	EM	DV
B	11983	ADDED 3055D5T	LA 05/18/15	RT	DV
C	14310	ZONE B3 10-32 UNF WAS 10-32 UNC	DA, 6/27/18	RA	LN
D	14550	INITIAL RELEASE OF 3055D11T & 3055D12T, SAME AS C1	DP 10/02/18	RA	W



ISOLATION CUP



MOUNTING SURFACE HOLE PREPARATION:
SELECT SURFACE FLAT TO .001 TIR
TAP 10-32 UNF-2B X .200 MIN THD DEPTH

4 MATES WITH DYTRAN 6010AXX OR 6011AXX CABLE (XX=LENGTH IS FEET)

3. WEIGHT: 10 GRAMS, MAX.

2 ARROW INDICATES ACCELERATION DIRECTION FOR POSITIVE OUTPUT.

1. MATERIAL: TITANIUM ALLOY

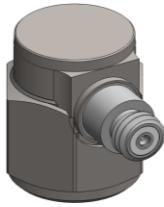
NOTES: UNLESS OTHERWISE SPECIFIED

UNLESS OTHERWISE SPECIFIED: INTERPRET DIM & TOL PER ASME Y14.5M - 1994. REMOVE BURRS. COUNTERSINK INTERNAL THDS 90° TO MAJOR DIA. CHAM EXT THDS 45° TO MINOR DIA. THD LENGTHS AND DEPTHS ARE FOR MIN FULL THDS. DIMENSIONS APPLY AFTER FINISHING.		UNLESS OTHERWISE SPECIFIED: DIMENSIONS ARE IN INCHES. TOLERANCES ARE: DECIMALS .XX ±.03 .XXX ±.010 METRIC X ± 0.8 XX ± 0.25 ANGLES ±1°			
APPROVALS		DATE		TITLE: OUTLINE/INSTALLATION, ACCEL, ISOLATED, 10 MV/G, SIDE 10-32 CONN	
ORIG	RA	05/29/14		SIZE	CAGE CODE
CHK	EM	11/06/14		B	2W033
APP	DV	12/17/14		DWG NO	127-3055DT
DO NOT SCALE DRAWING		THIRD ANGLE PROJECTION		REV	D
		SCALE: 3:1		PART NO:	SHEET 1 OF 1

Model Number 3055D4T	PERFORMANCE SPECIFICATIONS	DOC NO PS3055D4T
-------------------------	-----------------------------------	---------------------

IEPE ACCELEROMETER

REV E, ECN 12184, 08/21/15



- HERMETICALLY SEALED
- BASE ISOLATED
- IDEAL LOW FREQUENCY RESPONSE
- TEDS

PHYSICAL

Weight
Connector
Mounting Provision
Material, Housing/Connector
Sensing Element
Element Style

ENGLISH		SI	
0.35	oz	10	grams
10-32		10-32	
10-32 X .150 ↓		10-32 X .150 ↓	
Titanium		Titanium	
Ceramic		Ceramic	
Planar Shear		Planar Shear	

PERFORMANCE

Sensitivity, ± 5% [1]
Range for ± 5 Volts Output
Frequency Response, ± 10%
Resonant Frequency
Broad Band Resolution
Linearity [2]
Maximum Transverse sensitivity
Strain Sensitivity @ 250µε

50	mV/g	5	mV/m/s ²
100	g	981	m/s ²
1 to 10000	Hz	1 to 10000	Hz
> 36	kHz	> 36	kHz
0.0010	Grms	0.010	m/s ² rms
± 1	% F.S.	± 1	% F.S.
5	%	5	%
0.002	g/µε	0.02	m/s ² /µε

ENVIRONMENTAL

Maximum Vibration
Maximum Shock
Operating Temperature Range
TEDS Operating Temperature
Seal

500	Gpeak	4905	m/s ² peak
2000	Gpeak	19620	m/s ² peak
-60 to +250	*F	-51 to 121	*C
-40 to +185	*F	-40 to +85	*C
Hermetic		Hermetic	

ELECTRICAL

Supply Current Range [3]
Compliance Voltage Range
Output Impedence, Typ
Bias Voltage
Discharge Time Constant
Electrical Isolation
TEDS

2 to 20	mA	2 to 20	mA
18 to +30	Volts	18 to +30	Volts
100	Ω	100	Ω
11 to 13	VDC	11 to 13	VDC
0.5 to 1.5	Sec	0.5 to 1.5	Sec
10	GΩ,min	10	GΩ,min
IEEE 1451.4		IEEE 1451.4	

This family also includes:

Model	Sensitivity (mV/g)	Frequency Response (Hz)	Time Constant (Sec)	Operating Temp (*F)
3055D1T	10	1 to 10000	0.5 to 1.5	-60 to +250
3055D2T	100	1 to 10000	0.5 to 1.5	-60 to +250
3055D3T	500	1 to 10000	0.5 to 1.5	-60 to +225
3055D5T	20	1 to 10000	0.5 to 1.5	-60 to +250
3055D6T	200	1 to 10000	0.5 to 1.5	-60 to +225

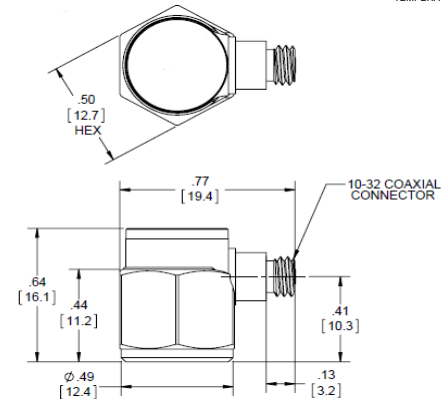
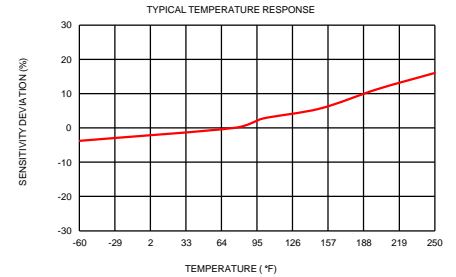
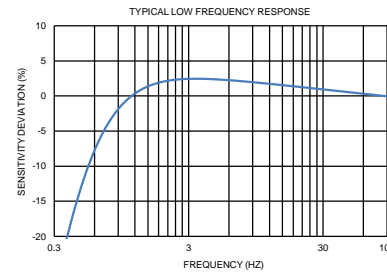
Refer to the performance specifications of the products in this family for detailed description

Supplied Accessories:

- 1) Accredited calibration certificate (ISO 17025)
- 2) Model 6200 mounting stud, qty 1

Notes:

- [1] Measured at 100Hz, 1 Grms per ISA RP 37.2.
- [2] Measure using zero-based straight line method, % of F.S. or any lesser range.
- [3] Do not apply power to this system without current limiting, 20 mA MAX. To do so will destroy the IC charge amplifier.
- [4] In the interest of constant product improvement, we reserve the right to change specifications without notice.



Units on the line drawing are in inches, units in brackets are in millimeters. Refer to 127-3055DT for more information.



21592 Marilla Street, Chatsworth, California 91311 Phone: 818.700.7818 Fax: 818.700.7880 www.dytran.com
For permission to reprint this content, please contact info@dytran.com