

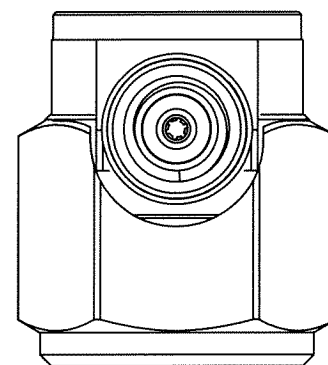
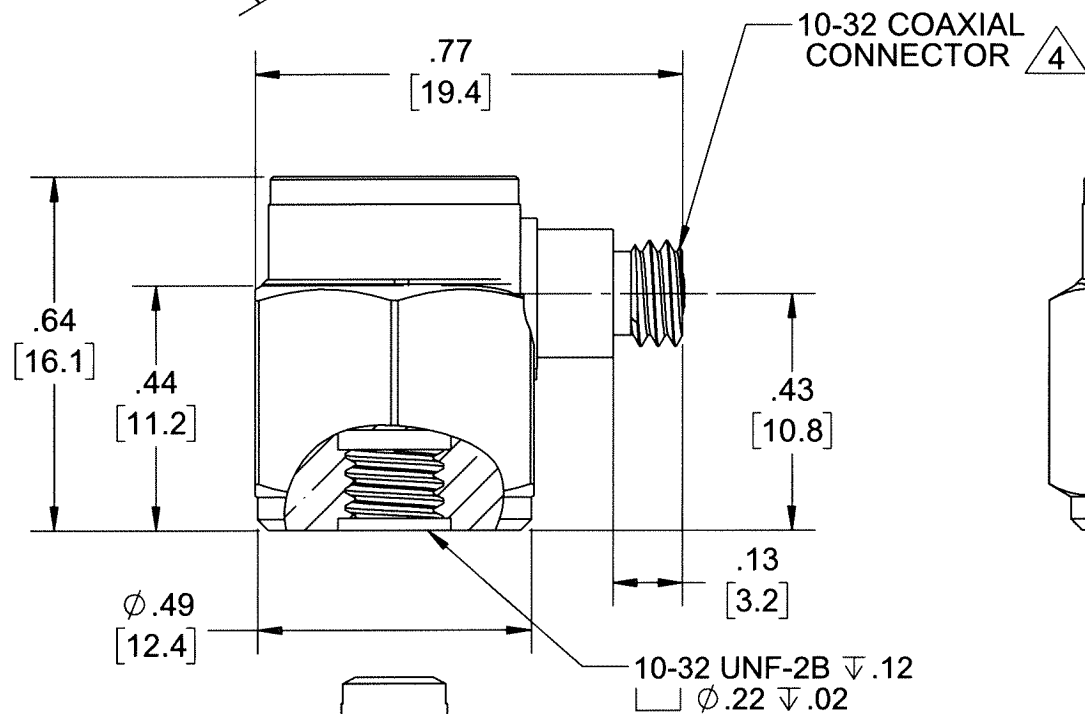
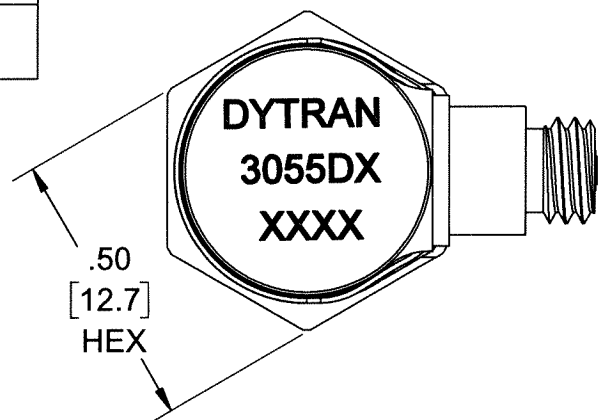
PROPRIETARY AND CONFIDENTIAL

THE INFORMATION CONTAINED IN THIS DRAWING IS THE SOLE PROPERTY OF DYTRAN INSTRUMENTS INC. ANY REPRODUCTION IN PART OR AS A WHOLE WITHOUT THE WRITTEN PERMISSION OF DYTRAN INSTRUMENTS INC. IS PROHIBITED

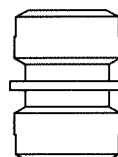
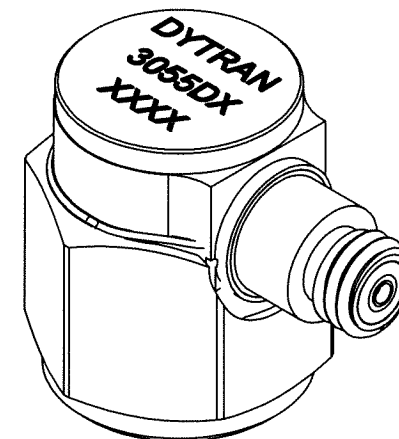
REVISIONS

REV.	ECN	DESCRIPTION	BY/DATE	CHK	APPR
A	11394	INITIAL RELEASE	RA, 11/05/14	EM	DV
B	14310	ZONE B3 10-32 UNF WAS: 10-32 UNC	RA, 06/28/18	MH	[Signature]

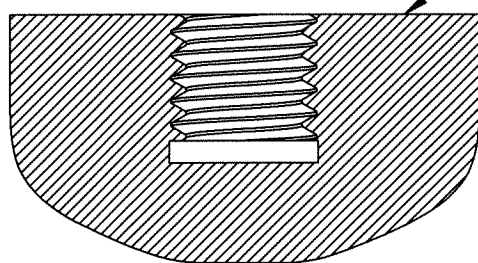
MODEL	SENSITIVITY
3055D1	10 mV/g
3055D2	100 mV/g
3055D3	500 mV/g
3055D4	50 mV/g
3055D5	20 mV/G
3055D6	200 mV/g



ISOLATION CUP



6200 MTG STUD PROVIDED



MOUNTING SURFACE HOLE PREPARATION:
SELECT SURFACE FLAT TO .001 TIR
TAP 10-32 UNF-2B X .200 MIN THD DEPTH

4 MATES WITH DYTRAN 6010AXX OR 6011AXX CABLE (XX=LENGTH IS FEET)

3. WEIGHT: 10 GRAMS, MAX.

2 ARROW INDICATES ACCELERATION DIRECTION FOR POSITIVE OUTPUT.

1. MATERIAL: TITANIUM ALLOY

NOTES: UNLESS OTHERWISE SPECIFIED

UNLESS OTHERWISE SPECIFIED:
INTERPRET DIM & TOL PER ASME Y14.5M - 1994.
REMOVE BURRS.
COUNTERSINK INTERNAL THDS 90° TO MAJOR DIA.
CHAM EXT THDS 45° TO MINOR DIA.
THD LENGTHS AND DEPTHS ARE FOR MIN FULL THDS.
DIMENSIONS APPLY AFTER FINISHING.

ALL MACHINED SURFACES.
TOTAL RUNOUT WITHIN .005.
BREAK SHARP EDGES .005 TO .010.
MACHINED FILLET RADII .005 TO .015.
WELDING SYMBOLS PER AWS A2.4.
ABBREVIATIONS PER MIL-STD-12.

UNLESS OTHERWISE SPECIFIED:
DIMENSIONS ARE IN INCHES.
DECIMALS TOLERANCES ARE:
.XX ±.01
.XXX ±.005

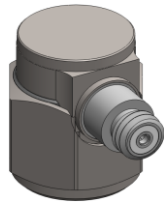
APPROVALS		DATE
DRAWN	RA	05/29/14
DESIGN	RA	01/23/14
CHK	EM	12/17/14
APP	DV	12/17/14
DO NOT SCALE DRAWING		THIRD ANGLE PROJECTION

DYTRAN INSTRUMENTS, INC. Chatsworth, CA
MASTER ONLY IF IN RED

TITLE: **OUTLINE/INSTALLATION, ACCEL, ISOLATED, 10 MV/G, SIDE 10-32 CONN**

SIZE B	CAGE CODE 2W033	DWG NO 127-3055D	REV B
SCALE: 3:1	PART NO:	SHEET 1 OF 1	

Model Number 3055D6	PERFORMANCE SPECIFICATIONS	DOC NO PS3055D6
IEPE ACCELEROMETER		REV D, ECN 12342, 11/17/15



- HERMETICALLY SEALED
- BASE ISOLATED
- IDEAL LOW FREQUENCY RESPONSE

ENGLISH		SI	
Weight	0.35 oz	10 grams	
Connector	10-32	10-32	
Mounting Provision	10-32 X .150 ↓	10-32 X .150 ↓	
Material, Housing/Connector	Titanium	Titanium	
Sensing Element	Ceramic	Ceramic	
Element Style	Planar Shear	Planar Shear	
PERFORMANCE			
Sensitivity, ± 5% [1]	200 mV/g	20 mV/m/s ²	
Range for ± 5 Volts Output	25 g	245 m/s ²	
Frequency Response, ± 10%	1 to 10000 Hz	1 to 10000 Hz	
Resonant Frequency	> 36 kHz	> 36 kHz	
Broad Band Resolution	0.0003 Grms	0.003 m/s ² rms	
Linearity [2]	± 1 % F.S.	± 1 % F.S.	
Maximum Transverse sensitivity	5 %	5 %	
Strain Sensitivity @ 250µε	0.002 g/µε	0.02 m/s ² /µε	
ENVIRONMENTAL			
Maximum Vibration	300 Gpeak	2943 m/s ² peak	
Maximum Shock	2000 Gpeak	19620 m/s ² peak	
Temperature Range	-67 to +225 °F	-55 to 107 °C	
Seal	Hermetic	Hermetic	
ELECTRICAL			
Supply Current Range [3]	2 to 20 mA	2 to 20 mA	
Compliance Voltage Range	18 to +30 Volts	18 to +30 Volts	
Output Impedence, Typ	100 Ω	100 Ω	
Bias Voltage	11 to 13 VDC	11 to 13 VDC	
Discharge Time Constant	0.5 to 1.5 Sec	0.5 to 1.5 Sec	
Electrical Isolation	10 GΩ,min	10 GΩ,min	

This family also includes:

Model	Sensitivity (mV/g)	Frequency Response, ±5 % (Hz)	Time Constant (Sec)	Operating Temp (°F)
3055D1	10	1 to 10000	0.5 to 1.5	-67 to +250
3055D2	100	1 to 10000	0.5 to 1.5	-67 to +250
3055D3	500	1 to 10000	0.5 to 1.5	-67 to +225
3055D4	50	1 to 10000	0.5 to 1.5	-67 to +250
3055D5	20	1 to 10000	0.5 to 1.5	-67 to +250
3056D7	1	1 to 10000	0.5 to 1.5	-67 to +250
3056D8	5	1 to 10000	0.5 to 1.5	-67 to +250

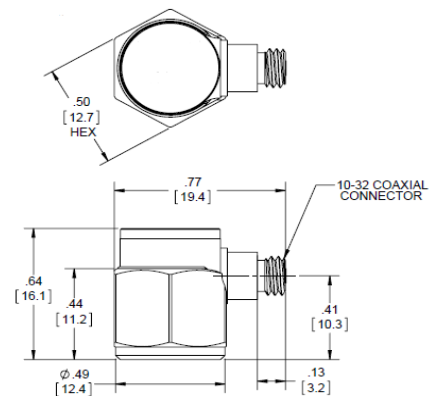
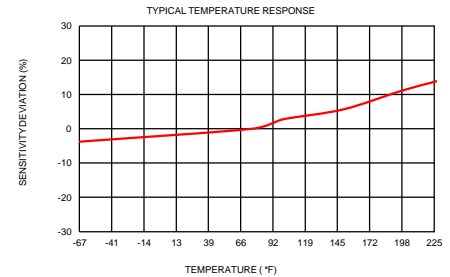
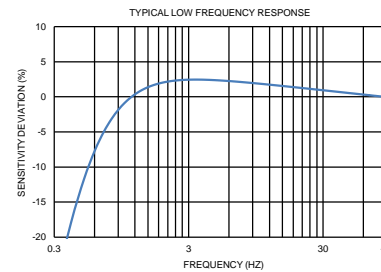
Refer to the performance specifications of the products in this family for detailed description

Supplied Accessories:

- 1) Accredited calibration certificate (ISO 17025)
- 2) Model 6200 mounting stud, qty 1

Notes:

- [1] Measured at 100Hz, 1 Grms per ISA RP 37.2.
- [2] Measure using zero-based straight line method, % of F.S. or any lesser range.
- [3] Do not apply power to this system without current limiting, 20 mA MAX. To do so will destroy the IC charge amplifier.
- [4] In the interest of constant product improvement, we reserve the right to change specifications without notice.



Units on the line drawing are in inches, units in brackets are in millimeters. Refer to 127-3055D for more information.



21592 Marilla Street, Chatsworth, California 91311 Phone: 818.700.7818 Fax: 818.700.7880 www.dytran.com
For permission to reprint this content, please contact info@dytran.com