

PROPRIETARY AND CONFIDENTIAL

THE INFORMATION CONTAINED IN THIS DRAWING IS THE SOLE PROPERTY OF DYTRAN INSTRUMENTS INC. ANY REPRODUCTION IN PART OR AS A WHOLE WITHOUT THE WRITTEN PERMISSION OF DYTRAN INSTRUMENTS INC. IS PROHIBITED

DWG NO 127-3056D SH 1 REV D

REVISIONS

REV.	ECN	DESCRIPTION	BY/DATE	CHK	APPR
A	11394	INITIAL RELEASE	RA, 11/06/14	EM	DV
B	11943	REVISED MARKING LOCATION, ADDED VIEW A-A	RA, 05/05/15	MH	LN
C	11983	3056D7 WAS: 5 mV/g, ADDED: 3056D8	LA, 05/28/15	DV	MH
D	14310	ZONE B3 10-32 UNF WAS: 10-32 UNC	RA, 06/28/18	MH	LD

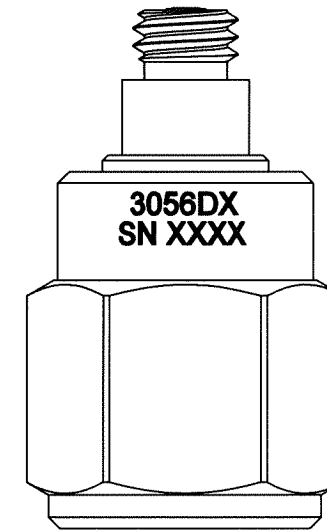
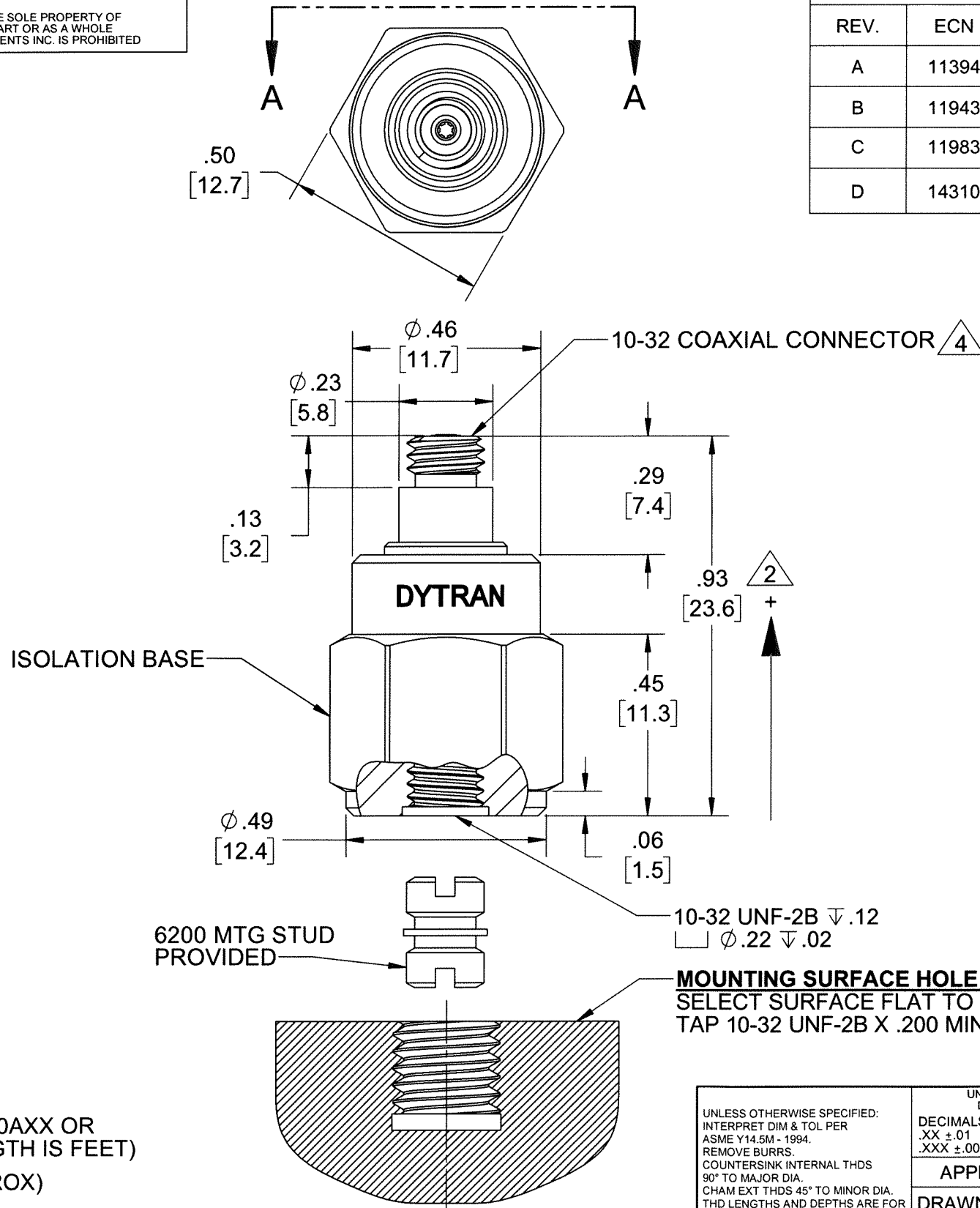
D

D

MODEL	SENSITIVITY
3056D1	10 mV/g
3056D2	100 mV/g
3056D3	500 mV/g
3056D4	20 mV/g
3056D5	50 mV/g
3056D6	200 mV/g
3056D7	1 mV/g
3056D8	5 mV/g

C

C



VIEW A-A  
ROTATED 180°CW

B

B

4 MATES WITH DYTRAN 6010AXX OR 6011AXX CABLE (XX=LENGTH IS FEET)

3. WEIGHT: 10 GRAMS (APPROX)

2 ARROW INDICATES ACCELERATION DIRECTION FOR POSITIVE OUTPUT.

1. MATERIAL: TITANIUM ALLOY

NOTES: UNLESS OTHERWISE SPECIFIED

UNLESS OTHERWISE SPECIFIED: INTERPRET DIM & TOL PER ASME Y14.5M - 1994. REMOVE BURRS. COUNTERSINK INTERNAL THDS 90° TO MAJOR DIA. CHAM EXT THDS 45° TO MINOR DIA. THD LENGTHS AND DEPTHS ARE FOR MIN FULL THDS. DIMENSIONS APPLY AFTER FINISHING.		UNLESS OTHERWISE SPECIFIED: DIMENSIONS ARE IN INCHES. DECIMALS TOLERANCES ARE: .XX ± .01 .XXX ± .005		ANGLES ± 1°	
APPROVALS		DATE		TITLE:	
DRAWN	RA	10/29/14		OUTLINE/INSTALLATION, MODEL 3056D	
DESIGN	RT	08/28/14			
CHK	EM	12/12/14			
APP	DV	12/17/14		SIZE	B
DO NOT SCALE DRAWING		THIRD ANGLE PROJECTION		CAGE CODE	2W033
				DWG NO	127-3056D
				REV	D
				SCALE:	3:1
				PART NO:	3056D
				SHEET 1 OF	1

**DYTRAN**  
INSTRUMENTS, INC. Chatsworth, CA

**MASTER ONLY IF IN RED**

SCALE: 3:1 PART NO: 3056D SHEET 1 OF 1

A

A

<b>Model Number</b> 3056D5	<b>PERFORMANCE SPECIFICATIONS</b>	<b>DOC NO</b> PS3056D5
<b>IEPE ACCELEROMETER</b>		REV G, ECN 13920, 12/21/17



- HERMETICALLY SEALED
- BASE ISOLATED

**PHYSICAL**

Weight	Type
Connector	Tapped Hole
Mounting Provision	Tapped Hole
Material, Housing/Connector	
Sensing Element	
Element Style	

ENGLISH		SI	
0.35	oz	10	grams
10-32		10-32	
10-32 X .150 ↓		10-32 X .150 ↓	
Titanium		Titanium	
Ceramic		Ceramic	
Planar Shear		Planar Shear	

**PERFORMANCE**

Sensitivity, ±5% [1]	50	mV/G	5.1	mV/m/s <sup>2</sup>
Range for ± 5 Volts Output	100	G peak	981	m/s <sup>2</sup>
Frequency Response, ±10%	1 to 10,000	Hz	1 to 10,000	Hz
Resonant Frequency	> 36	kHz	> 36	kHz
Broad Band Resolution	0.0010	G rms	0.0098	m/s <sup>2</sup> rms
Linearity [2]	±1	% F.S.	±1	% F.S.
Maximum Transverse Sensitivity	5	%	5	%
Strain Sensitivity @ 250µε	0.001	G/µε	0.01	m/s <sup>2</sup> /µε

**ENVIRONMENTAL**

Maximum Vibration	500	G peak	4905	m/s <sup>2</sup> peak
Maximum Shock	2000	G peak	19620	m/s <sup>2</sup> peak
Temperature Range	-67 to 250	°F	-55 to 121	°C
Seal	HERMETIC		HERMETIC	

**ELECTRICAL**

Supply Current Range [3]	2 to 20	mA	2 to 20	mA
Compliance Voltage Range	+18 to +30	Volts	+18 to +30	Volts
Output Impedence, Typ	100	Ω	100	Ω
Bias Voltage	+9 to +13	VDC	+9 to +13	VDC
Discharge Time Constant	.5 to 1.5	Sec	.5 to 1.5	Sec
Electrical Isolation	10	GΩ,min	10	GΩ,min

**This family also includes:**

Model	Sensitivity (mV/g)	Frequency Response (Hz)	Time Constant (Sec)	Operating Temp (°F)
3056D1	10	1 to 10000	0.5 to 1.5	-67 to +250
3056D2	100	1 to 10000	0.5 to 1.5	-67 to +250
3056D3	500	1 to 10000	0.5 to 1.5	-67 to +225
3056D4	20	1 to 10000	0.5 to 1.5	-67 to +250
3056D6	200	1 to 10000	0.5 to 1.5	-67 to +225
3056D7	1	1 to 10000	0.5 to 1.5	-67 to +250
3056D8	5	1 to 10000	0.5 to 1.5	-67 to +250

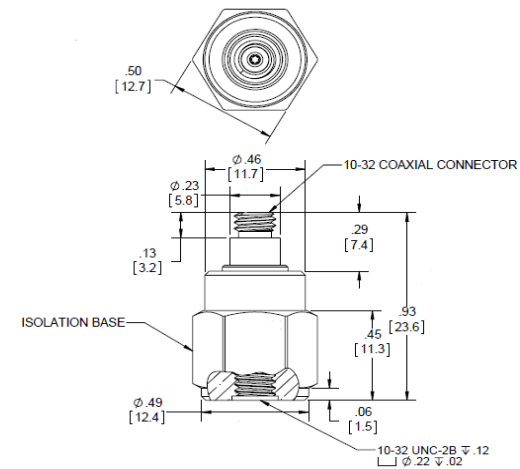
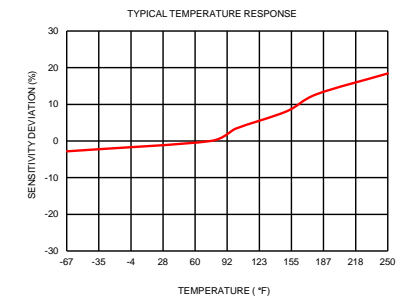
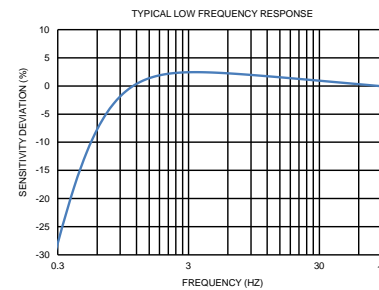
Refer to the performance specifications of the products in this family for detailed description

**Supplied Accessories:**

- 1) Accredited calibration certificate (ISO 17025)
- 2) Model 6200 mounting stud, QTY 1

**Notes:**

- [1] Measured at 100Hz, 1 Grms per ISA RP 37.2.
- [2] Measured using zero-based straight line method, % of F.S. or any lesser range.
- [3] Do not apply power to this system without current limiting, 20 mA MAX. To do so will destroy the IC charge amplifier.
- [4] In the interest of constant product improvement, we reserve the right to change specifications without notice.



Units on the line drawing are in inches, units in brackets are in millimeters. Refer to 127-3056D for more information.

