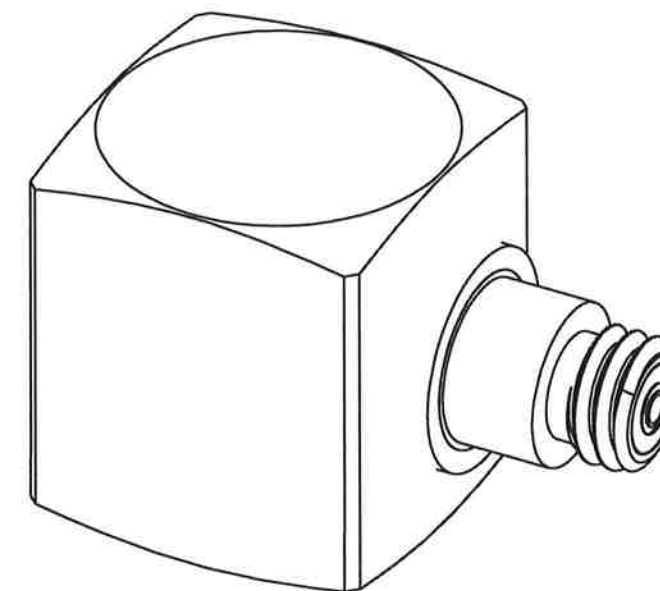
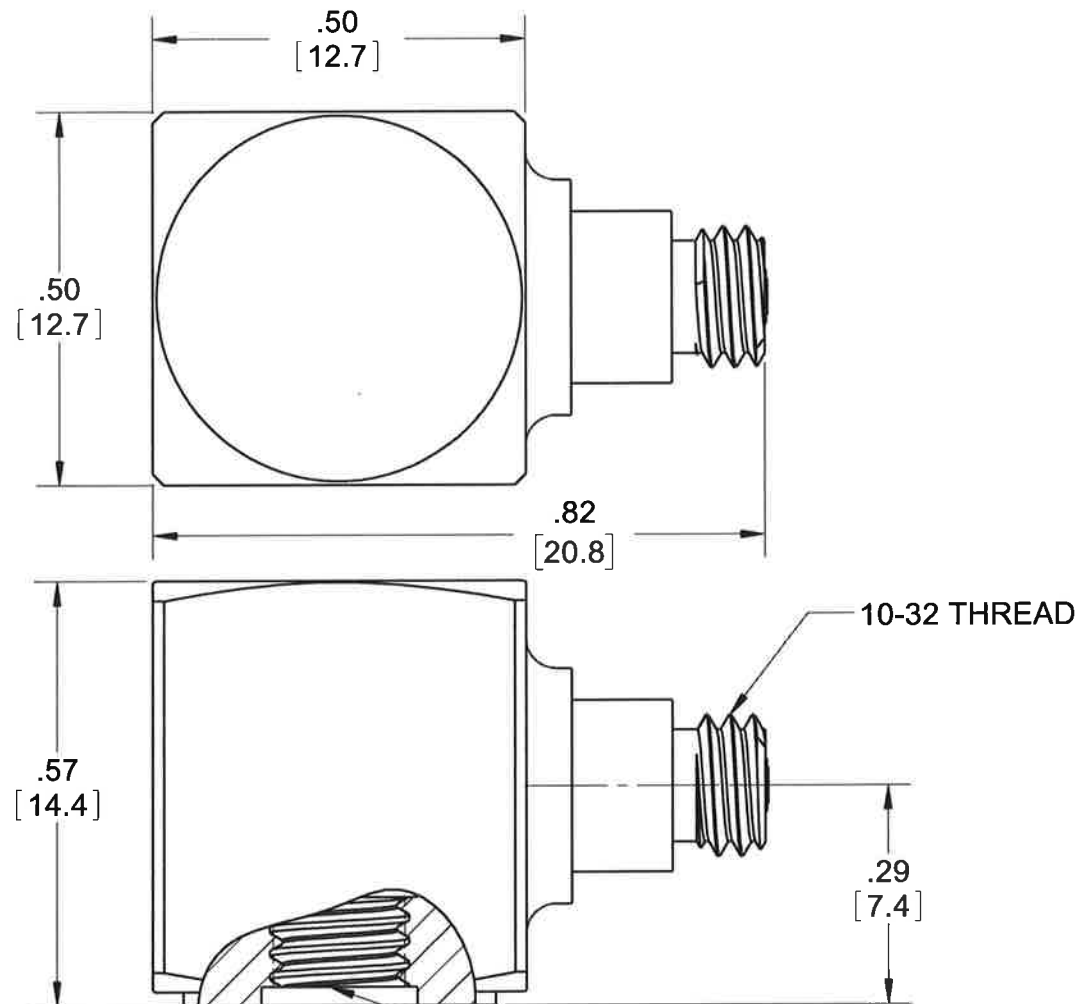


PROPRIETARY AND CONFIDENTIAL

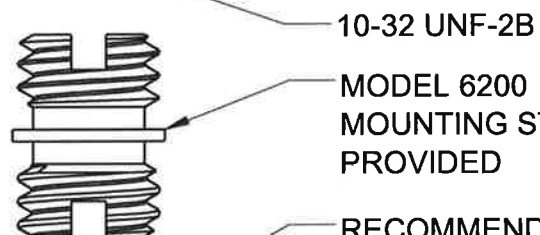
THE INFORMATION CONTAINED IN THIS DRAWING IS THE SOLE PROPERTY OF DYTRAN INSTRUMENTS INC. ANY REPRODUCTION IN PART OR AS A WHOLE WITHOUT THE WRITTEN PERMISSION OF DYTRAN INSTRUMENTS INC. IS PROHIBITED

REVISIONS

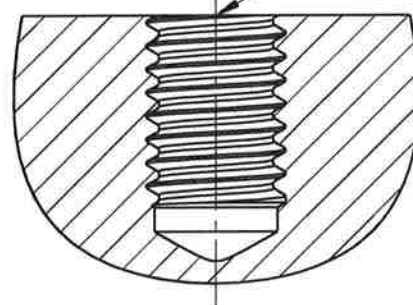
REV	ECN	DESCRIPTION	BY/DATE	CHK	APPR
A	4791	INITIAL RELEASE	RA, 08/14/07	CES	PML
B	13235	SEE ECN	LA 01/26/17	RA	W



MODEL NO	REV	DATE	ECN	SENS
3214A1	B	01/26/17	13235	10mV/g
3214A2	B	01/26/17	13235	100mV/g
3214A3	B	01/26/17	13235	500mV/g



10-32 UNF-2B
 MODEL 6200 MOUNTING STUD, PROVIDED
 RECOMMENDED MOUNTING PREP:
 PREPARE MOUNTING SURFACE, Ø.80 [20.3] MIN., FLAT TO .001 TIR.
 TAP 10-32 UNF-2B ∇ .25 [6.4] MIN.
 MOUNTING TORQUE: 10-12 Lb-in.



- 7. SEAL: HERMETIC
- 6. MATING CABLE: 6010AXX, 6011AXX, XX=LENGTH IN FEET.
- 5. SENSITIVITY: SEE CHART
- 4. OPERATING TEMPERATURE RANGE: -60°F TO +250°F [-51°C TO +121°C]

3 ARROW INDICATES DIRECTION OF ACCELERATION FOR POSITIVE OUTPUT

- 2. WEIGHT: .35oz [10 GRAMS]
- 1. HOUSING/ CONNECTOR MATERIAL: Ti-6AL-4V

NOTES: UNLESS OTHERWISE SPECIFIED

UNLESS OTHERWISE SPECIFIED:
 INTERPRET DIM & TOL PER ASME Y14.5M - 1994.
 REMOVE BURRS.
 COUNTERSINK INTERNAL THDS 90° TO MAJOR DIA.
 CHAM EXT THDS 45° TO MINOR DIA.
 THD LENGTHS AND DEPTHS ARE FOR MIN FULL THDS.
 DIMENSIONS APPLY AFTER FINISHING.

ALL MACHINED SURFACES. TOTAL RUNOUT WITHIN .005. BREAK SHARP EDGES .005 TO .010. MACHINED FILLET RADII .005 TO .015. WELDING SYMBOLS PER AWS A2.4. ABBREVIATIONS PER MIL-STD-12.

UNLESS OTHERWISE SPECIFIED: DIMENSIONS ARE IN INCHES. DIMENSIONS IN BRACKETS [] ARE IN MILLIMETERS TOLERANCES ARE:

DECIMALS	METRIC	ANGLES
.XX ±.03	.X ±0.8	±1°
.XXX ±.010	.XX ±0.25	

APPROVALS		DATE
ORIG	PML	06/22/07
CHK	CES	08/30/07
APP	PML	09/03/07

DO NOT SCALE DRAWING

MASTER ONLY IF IN RED

DYTRAN INSTRUMENTS, INC. Chatsworth, CA

TITLE: **OUTLINE/INSTALLATION DRAWING, 3214A SERIES**

SIZE B	CAGE CODE 2W033	DWG NO 127-3214A	REV B
---------------	------------------------	-------------------------	--------------

SCALE: 4:1 SHEET 1 OF 1

Model Number 3214A3	PERFORMANCE SPECIFICATIONS	DOC NO PS3214A3
IEPE ACCELEROMETER		REV B, ECN 13235, 01/27/17



- HERMETICALLY SEALED
- IDEAL LOW FREQUENCY RESPONSE

PHYSICAL

Weight	Type
Connector	Tapped Hole
Mounting Provision	
Material, Housing/Connector	
Sensing Element	
Element Style	

ENGLISH		SI	
0.35	oz	10	grams
10-32		10-32	
10-32 X .150 ↓		10-32 X .150 ↓	
Titanium		Titanium	
Ceramic		Ceramic	
Planar Shear		Planar Shear	

PERFORMANCE

Sensitivity, ± 5% [1]	500	mV/g	51	mV/m/s ²
Range for ± 5 Volts Output	10	g	98	m/s ²
Frequency Response, ± 10%	1 to 10000	Hz	1 to 10000	Hz
Resonant Frequency	> 36	kHz	> 36	kHz
Broad Band Resolution	0.0004	Grms	0.004	m/s ² rms
Linearity [2]	± 1	% F.S.	± 1	% F.S.
Maximum Transverse sensitivity	5	%	5	%
Strain Sensitivity @ 250µε	0.002	g/µε	0.02	m/s ² /µε

ENVIRONMENTAL

Maximum Vibration	200	Gpeak	1962	m/s ² peak
Maximum Shock	1000	Gpeak	9810	m/s ² peak
Temperature Range	-67 to +225	*F	-55 to 107	*C
Seal	Hermetic		Hermetic	

ELECTRICAL

Supply Current Range [3]	2 to 20	mA	2 to 20	mA
Compliance Voltage Range	18 to +30	Volts	18 to +30	Volts
Output Impedence, Typ	100	Ω	100	Ω
Bias Voltage	11 to 13	VDC	11 to 13	VDC
Discharge Time Constant	0.5 to 1.5	Sec	0.5 to 1.5	Sec

This family also includes:

Model	Sensitivity (mV/g)	Frequency Response (Hz)	Time Constant (Sec)	Operating Temp (*F)
3214A1	10	1 to 10000	0.5 to 1.5	-67 to +250
3214A2	100	1 to 10000	0.5 to 1.5	-67 to +250

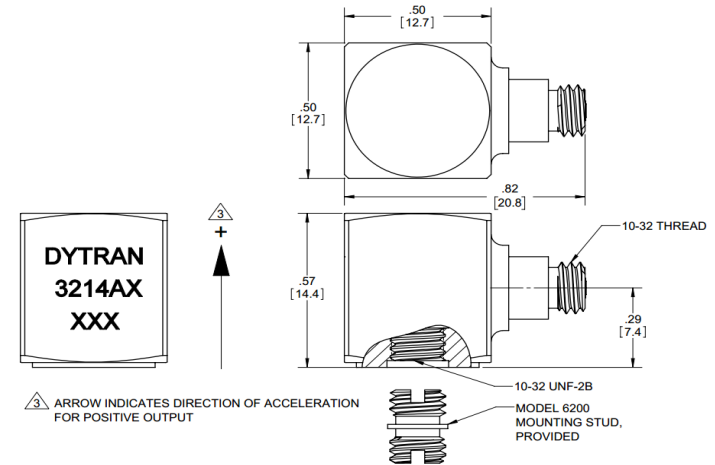
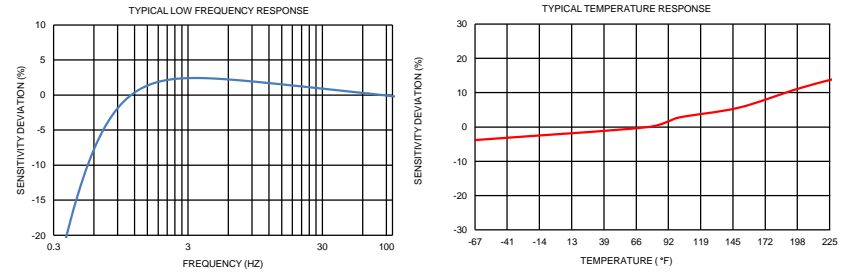
Refer to the performance specifications of the products in this family for detailed description

Supplied Accessories:

- 1) Accredited calibration certificate (ISO 17025)
- 2) Model 6200 mounting stud, qty 1

Notes:

- [1] Measured at 100Hz, 1 Grms per ISA RP 37.2.
- [2] Measure using zero-based straight line method, % of F.S. or any lesser range.
- [3] Do not apply power to this system without current limiting, 20 mA MAX. To do so will destroy the IC charge amplifier.
- [4] In the interest of constant product improvement, we reserve the right to change specifications without notice.
- [5] Mating Cable: 6010AXX, 6011AXX, XX = length in feet.



Units on the line drawing are in inches, units in brackets are in millimeters. Refer to 127-3214A for more information.



21592 Marilla Street, Chatsworth, California 91311 Phone: 818.700.7818 Fax:818.700.7880 www.dytran.com
For permission to reprint this content, please contact info@dytran.com