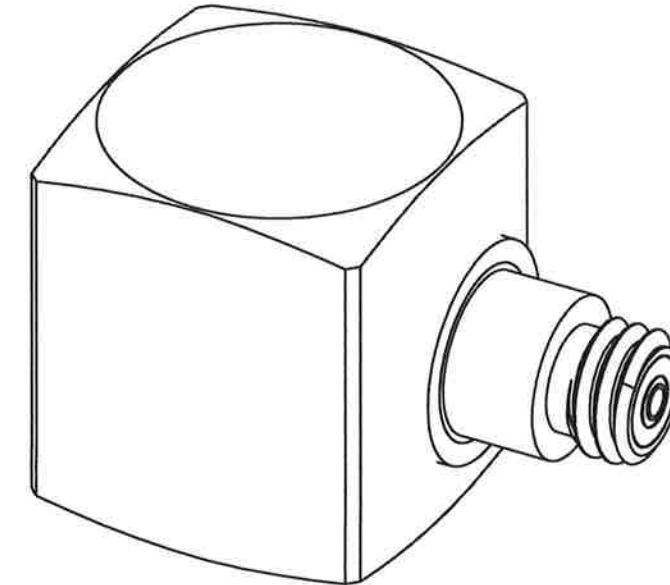
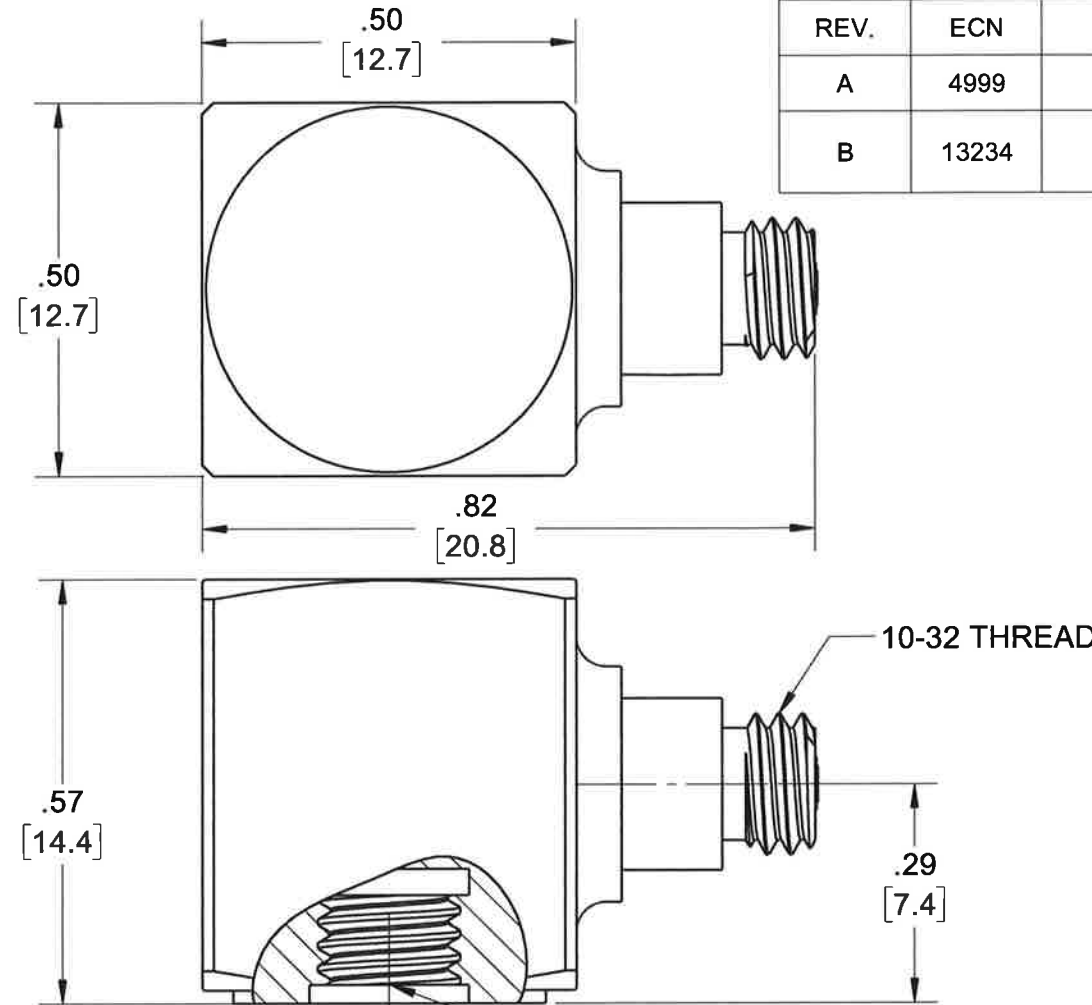


PROPRIETARY AND CONFIDENTIAL

THE INFORMATION CONTAINED IN THIS DRAWING IS THE SOLE PROPERTY OF DYTRAN INSTRUMENTS INC. ANY REPRODUCTION IN PART OR AS A WHOLE WITHOUT THE WRITTEN PERMISSION OF DYTRAN INSTRUMENTS INC. IS PROHIBITED

REVISIONS

REV.	ECN	DESCRIPTION	BY/DATE	CHK	APPR
A	4999	INITIAL RELEASE	JS 01/15/08	CES	PML
B	13234	SEE ECN	RA, 01/25/17	LA	W



10-32 THREAD

10-32 UNF-2B  
 MODEL 6200  
 MOUNTING STUD,  
 PROVIDED  
 RECOMMENDED MOUNTING PREP:  
 PREPARE MOUNTING SURFACE,  
 Ø.80 [20.3] MIN., FLAT TO .001 TIR.  
 TAP 10-32 UNF-2B ∇.25 [6.4] MIN.  
 MOUNTING TORQUE: 10-12 Lb-in.

MODEL NO	REV	DATE	ECN	SENS
3214A1T	B	01/24/17	13234	10mV/g
3214A2T	B	01/24/17	13234	100mV/g
3214A3T	B	01/24/17	13234	500mV/g

- 8. SEAL: HERMETIC
- 7. MATING CABLE: 6010AXX, 6011AXX, XX=LENGTH IN FEET.
- 6. SENSITIVITY: SEE CHART
- 5. OPERATING TEMPERATURE RANGE: -60°F TO +250°F  
[-51°C TO +121°C]
- 4. TEDS OPERATING TEMPERATURE: -40°F TO +185°F  
[-40°C TO +85°C]

- 3. ARROW INDICATES DIRECTION OF ACCELERATION FOR POSITIVE OUTPUT
- 2. WEIGHT: .35oz [10 GRAMS]
- 1. HOUSING/ CONNECTOR MATERIAL: Ti-6AL-4V

NOTES: UNLESS OTHERWISE SPECIFIED

UNLESS OTHERWISE SPECIFIED:  
 INTERPRET DIM & TOL PER ASME Y14.5M - 1994.  
 REMOVE BURRS.  
 COUNTERSINK INTERNAL THDS 90° TO MAJOR DIA.  
 CHAM EXT THDS 45° TO MINOR DIA.  
 THD LENGTHS AND DEPTHS ARE FOR MIN FULL THDS.  
 DIMENSIONS APPLY AFTER FINISHING.

ALL MACHINED SURFACES.  
 TOTAL RUNOUT WITHIN .005.  
 BREAK SHARP EDGES .005 TO .010.  
 MACHINED FILLET RADII .005 TO .015.  
 WELDING SYMBOLS PER AWS A2.4.  
 ABBREVIATIONS PER MIL-STD-12.

UNLESS OTHERWISE SPECIFIED:  
 DIMENSIONS ARE IN INCHES.  
 DIMENSIONS IN BRACKETS [ ] ARE IN MILLIMETERS TOLERANCES ARE:

DECIMALS	METRIC	ANGLES
.XX ±.03	.X ± 0.8	± 1°
.XXX ±.010	.XX ± 0.25	

APPROVALS      DATE

ORIG	JS	01/15/08
CHK	RA	01/18/08
APP	PML	01/18/08

DO NOT SCALE DRAWING

THIRD ANGLE PROJECTION

**MASTER ONLY IF IN RED**  
 DYTRAN INSTRUMENTS, INC. Chatsworth, CA

TITLE: **OUTLINE/INSTALLATION DRAWING, 3214AXT SERIES**

SIZE	CAGE CODE	DWG NO	REV
B	2W033	127-3214AT	B

SCALE: 4:1      SHEET 1 OF 1

<b>Model Number</b> 3214A2T	<b>PERFORMANCE SPECIFICATIONS</b>	<b>DOC NO</b> PS3214A2T
<b>IEPE ACCELEROMETER</b>		REV B, EGN 13234, 01/27/17



- HERMETICALLY SEALED
- IDEAL LOW FREQUENCY RESPONSE
- TEDS

**PHYSICAL**

Weight  
Connector Type  
Mounting Provision  
Material, Housing/Connector  
Sensing Element  
Element Style

ENGLISH		SI	
0.35	oz	10	grams
10-32		10-32	
10-32 X .150 ↓		10-32 X .150 ↓	
Titanium		Titanium	
Ceramic		Ceramic	
Planar Shear		Planar Shear	

**PERFORMANCE**

Sensitivity, ± 5% [1]  
Range for ± 5 Volts Output  
Frequency Response, ± 10%  
Resonant Frequency  
Broad Band Resolution  
Linearity [2]  
Maximum Transverse sensitivity  
Strain Sensitivity @ 250µε

100	mV/g	10	mV/m/s <sup>2</sup>
50	g	491	m/s <sup>2</sup>
1 to 10000	Hz	1 to 10000	Hz
> 36	kHz	> 36	kHz
0.0004	Grms	0.004	m/s <sup>2</sup> rms
± 1	% F.S.	± 1	% F.S.
5	%	5	%
0.002	g/µε	0.02	m/s <sup>2</sup> /µε

**ENVIRONMENTAL**

Maximum Vibration  
Maximum Shock  
Operating Temperature Range  
TEDS Operating Temperature  
Seal

400	Gpeak	3924	m/s <sup>2</sup> peak
5000	Gpeak	49050	m/s <sup>2</sup> peak
-60 to +250	°F	-51 to 121	°C
-40 to +185	°F	-40 to +85	°C
Hermetic		Hermetic	

**ELECTRICAL**

Supply Current Range [3]  
Compliance Voltage Range  
Output Impedence, Typ  
Bias Voltage  
Discharge Time Constant  
TEDS

2 to 20	mA	2 to 20	mA
18 to +30	Volts	18 to +30	Volts
100	Ω	100	Ω
11 to 13	VDC	11 to 13	VDC
0.5 to 1.5	Sec	0.5 to 1.5	Sec
IEEE 1451.4		IEEE 1451.4	

**This family also includes:**

Model	Sensitivity (mV/g)	Frequency Response (Hz)	Time Constant (Sec)	Operating Temp (°F)
3214A1T	10	1 to 10000	0.5 to 1.5	-60 to +250
3214A2T	500	1 to 10000	0.5 to 1.5	-60 to +225

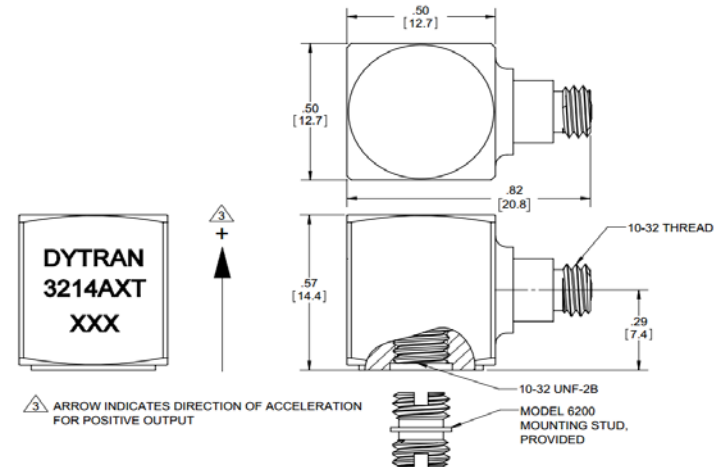
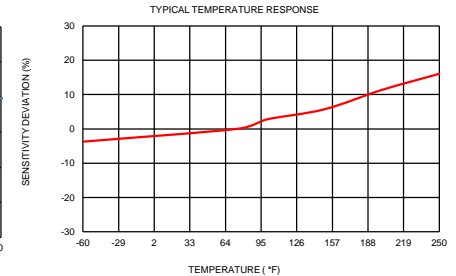
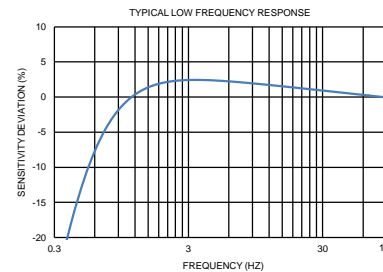
Refer to the performance specifications of the products in this family for detailed description

**Supplied Accessories:**

- 1) Accredited calibration certificate (ISO 17025)
- 2) Model 6200 mounting stud, qty 1

**Notes:**

- [1] Measured at 100Hz, 1 Grms per ISA RP 37.2.
- [2] Measure using zero-based straight line method, % of F.S. or any lesser range.
- [3] Do not apply power to this system without current limiting, 20 mA MAX. To do so will destroy the IC charge amplifier.
- [4] In the interest of constant product improvement, we reserve the right to change specifications without notice.
- [5] Mating Cable: 6010AXX, 6011AXX, XX = length in feet.



Units on the line drawing are in inches, units in brackets are in millimeters. Refer to 127-3214AT for more information.



21592 Marilla Street, Chatsworth, California 91311 Phone: 818.700.7818 Fax: 818.700.7880 www.dytran.com  
For permission to reprint this content, please contact info@dytran.com