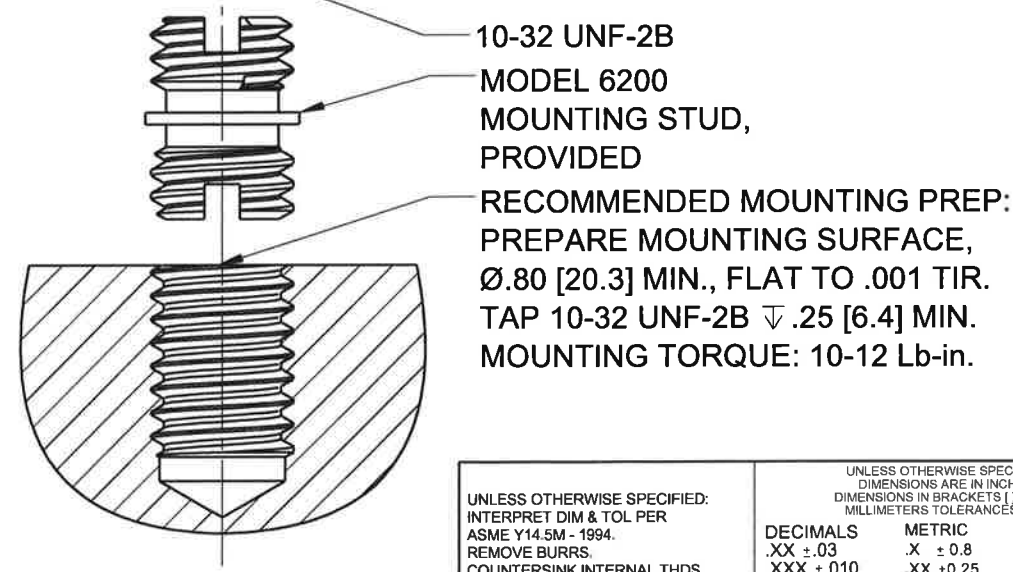
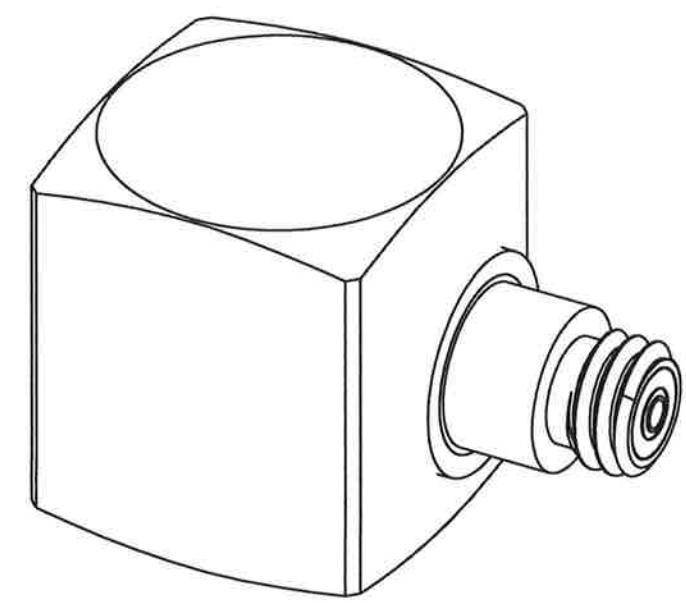
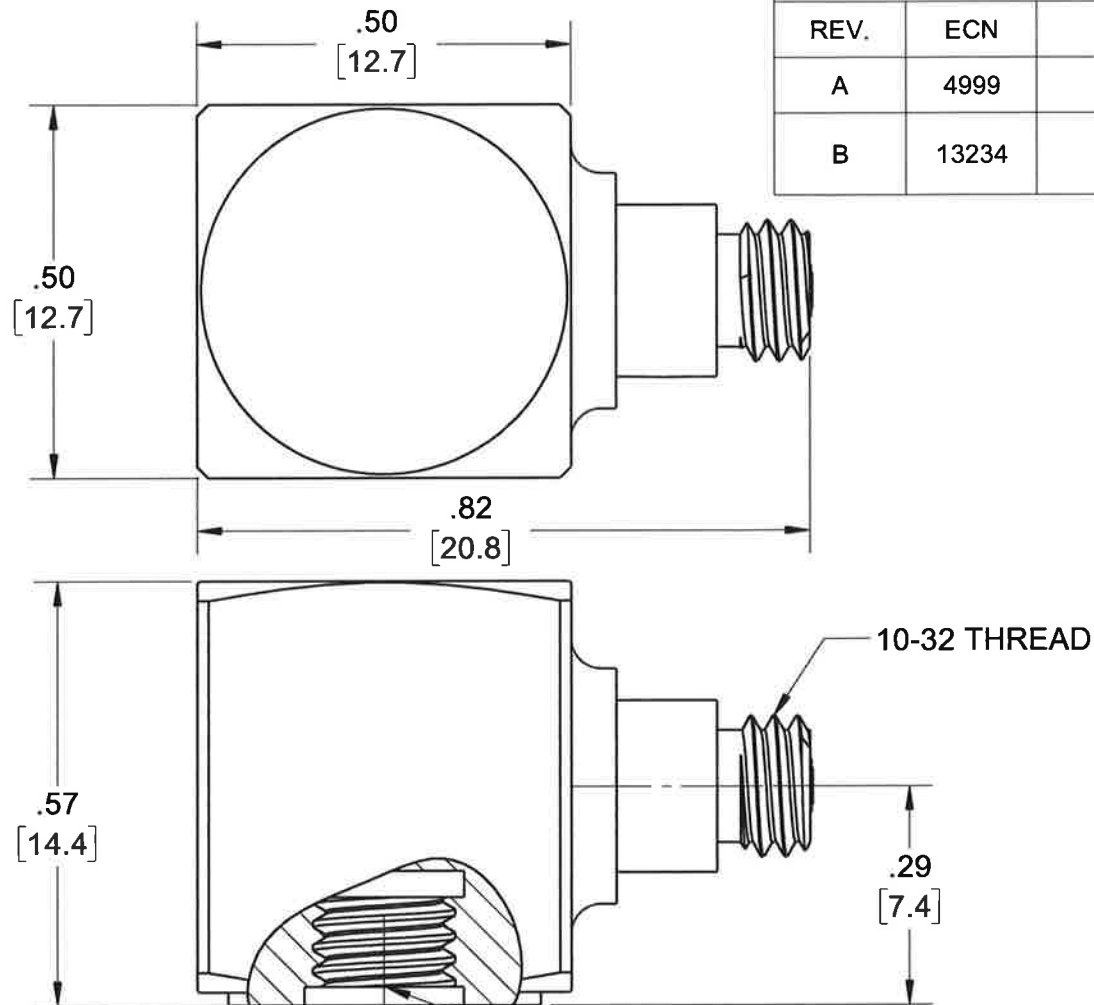


PROPRIETARY AND CONFIDENTIAL

THE INFORMATION CONTAINED IN THIS DRAWING IS THE SOLE PROPERTY OF DYTRAN INSTRUMENTS INC. ANY REPRODUCTION IN PART OR AS A WHOLE WITHOUT THE WRITTEN PERMISSION OF DYTRAN INSTRUMENTS INC. IS PROHIBITED

REVISIONS

REV.	ECN	DESCRIPTION	BY/DATE	CHK	APPR
A	4999	INITIAL RELEASE	JS 01/15/08	CES	PML
B	13234	SEE ECN	RA, 01/25/17	LA	W



MODEL NO	REV	DATE	ECN	SENS
3214A1T	B	01/24/17	13234	10mV/g
3214A2T	B	01/24/17	13234	100mV/g
3214A3T	B	01/24/17	13234	500mV/g

- 8. SEAL: HERMETIC
- 7. MATING CABLE: 6010AXX, 6011AXX, XX=LENGTH IN FEET.
- 6. SENSITIVITY: SEE CHART
- 5. OPERATING TEMPERATURE RANGE: -60°F TO +250°F [-51°C TO +121°C]
- 4. TEDS OPERATING TEMPERATURE: -40°F TO +185°F [-40°C TO +85°C]

- 3. ARROW INDICATES DIRECTION OF ACCELERATION FOR POSITIVE OUTPUT
 - 2. WEIGHT: .35oz [10 GRAMS]
 - 1. HOUSING/ CONNECTOR MATERIAL: Ti-6AL-4V
- NOTES: UNLESS OTHERWISE SPECIFIED

UNLESS OTHERWISE SPECIFIED: INTERPRET DIM & TOL PER ASME Y14.5M - 1994. REMOVE BURRS. COUNTERSINK INTERNAL THDS 90° TO MAJOR DIA. CHAM EXT THDS 45° TO MINOR DIA. THD LENGTHS AND DEPTHS ARE FOR MIN FULL THDS. DIMENSIONS APPLY AFTER FINISHING.		UNLESS OTHERWISE SPECIFIED: DIMENSIONS ARE IN INCHES. DIMENSIONS IN BRACKETS [] ARE IN MILLIMETERS TOLERANCES ARE:		<p>MASTER ONLY IF IN RED Chatsworth, CA</p>	
DECIMALS .XX ±.03 .XXX ±.010	METRIC .X ± 0.8 .XX ±0.25	ANGLES ±1°			
APPROVALS		DATE		TITLE: OUTLINE/INSTALLATION DRAWING, 3214AXT SERIES	
ORIG	JS	01/15/08		SIZE	
CHK	RA	01/18/08		CAGE CODE	2W033
APP	PML	01/18/08		DWG NO	127-3214AT
DO NOT SCALE DRAWING		THIRD ANGLE PROJECTION		REV	B
SCALE: 4:1				SHEET 1 OF 1	

Model Number 3214A3T	PERFORMANCE SPECIFICATIONS			DOC NO PS3214A3T
IEPE ACCELEROMETER				REV B, ECN 13234, 01/27/17



- HERMETICALLY SEALED
- IDEAL LOW FREQUENCY RESPONSE
- TEDS

PHYSICAL

Weight	Type
Connector	Tapped Hole
Mounting Provision	
Material, Housing/Connector	
Sensing Element	
Element Style	

ENGLISH		SI	
0.35	oz	10	grams
10-32		10-32	
10-32 X .150 ↓		10-32 X .150 ↓	
Titanium		Titanium	
Ceramic		Ceramic	
Planar Shear		Planar Shear	

PERFORMANCE

Sensitivity, ± 5% [1]	500	mV/g	51	mV/m/s ²
Range for ± 5 Volts Output	10	g	98	m/s ²
Frequency Response, ± 10%	1 to 10000	Hz	1 to 10000	Hz
Resonant Frequency	> 36	kHz	> 36	kHz
Broad Band Resolution	0.0001	Grms	0.001	m/s ² rms
Linearity [2]	± 1	% F.S.	± 1	% F.S.
Maximum Transverse sensitivity	5	%	5	%
Strain Sensitivity @ 250µε	0.002	g/µε	0.02	m/s ² /µε

ENVIRONMENTAL

Maximum Vibration	200	Gpeak	1962	m/s ² peak
Maximum Shock	5000	Gpeak	49050	m/s ² peak
Operating Temperature Range	-60 to +225	°F	-51 to 107	°C
TEDS Operating Temperature Seal	-40 to +185	°F	-40 to +85	°C
	Hermetic		Hermetic	

ELECTRICAL

Supply Current Range [3]	2 to 20	mA	2 to 20	mA
Compliance Voltage Range	18 to +30	Volts	18 to +30	Volts
Output Impedence, Typ	100	Ω	100	Ω
Bias Voltage	11 to 13	VDC	11 to 13	VDC
Discharge Time Constant	0.5 to 1.5	Sec	0.5 to 1.5	Sec
TEDS	IEEE 1451.4		IEEE 1451.4	

This family also includes:

Model	Sensitivity (mV/g)	Frequency Response (Hz)	Time Constant (Sec)	Operating Temp (°F)
3214A1T	10	1 to 10000	0.5 to 1.5	-60 to +250
3214A2T	100	1 to 10000	0.5 to 1.5	-60 to +250

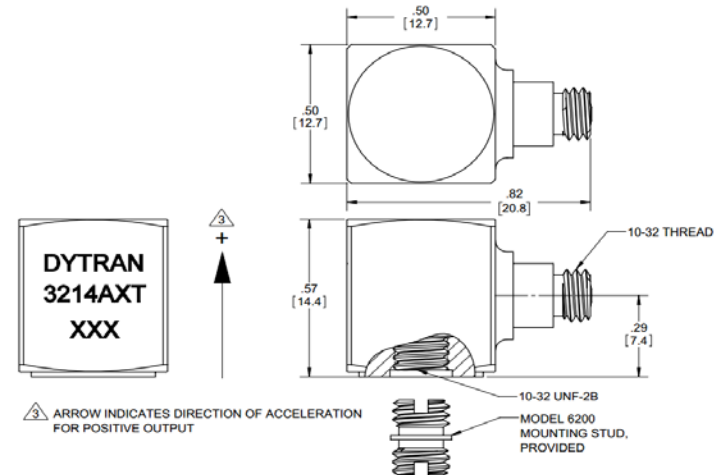
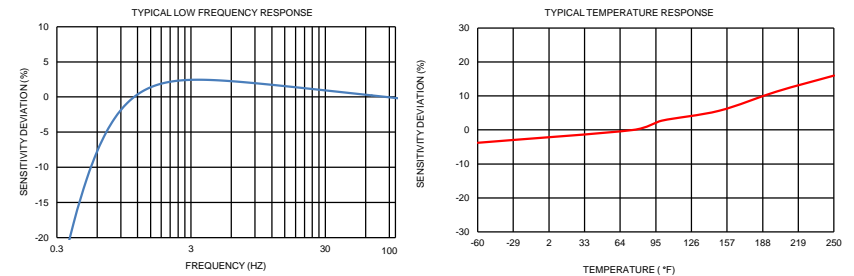
Refer to the performance specifications of the products in this family for detailed description

Supplied Accessories:

- 1) Accredited calibration certificate (ISO 17025)
- 2) Model 6200 mounting stud, qty 1

Notes:

- [1] Measured at 100Hz, 1 Grms per ISA RP 37.2.
- [2] Measure using zero-based straight line method, % of F.S. or any lesser range.
- [3] Do not apply power to this system without current limiting, 20 mA MAX. To do so will destroy the IC charge amplifier.
- [4] In the interest of constant product improvement, we reserve the right to change specifications without notice.
- [5] Mating Cable: 6010AXX, 6011AXX, XX = length in feet.



Units on the line drawing are in inches, units in brackets are in millimeters. Refer to 127-3214AT for more information.



21592 Marilla Street, Chatsworth, California 91311 Phone: 818.700.7818 Fax: 818.700.7880 www.dytran.com
For permission to reprint this content, please contact info@dytran.com