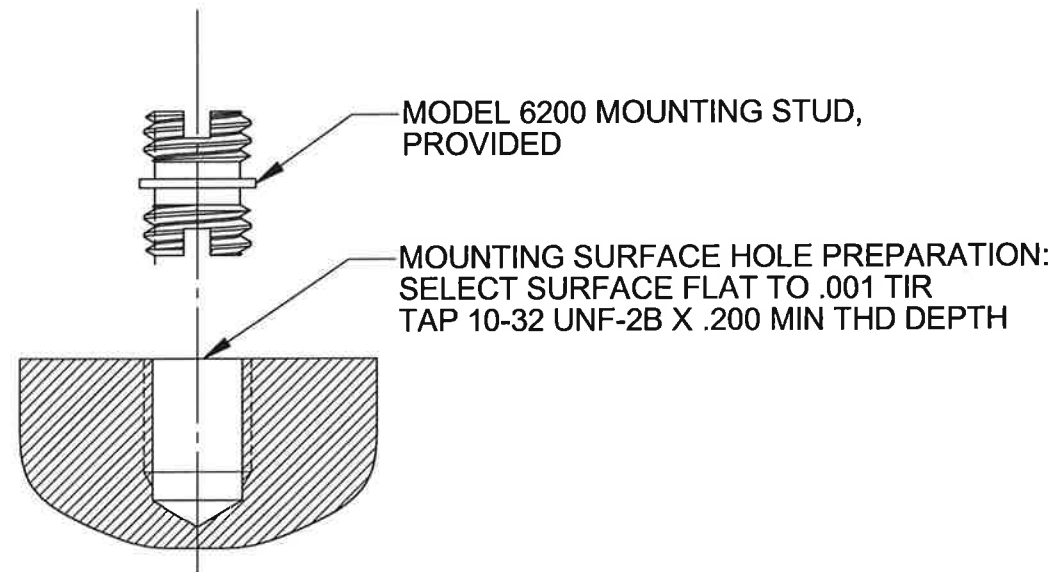
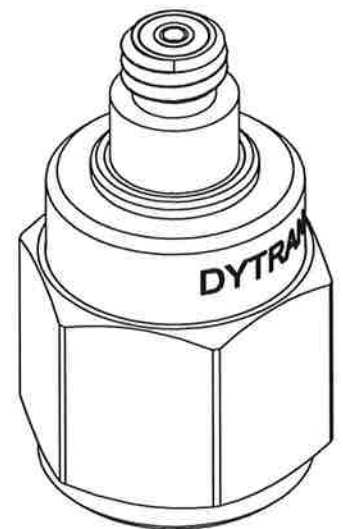
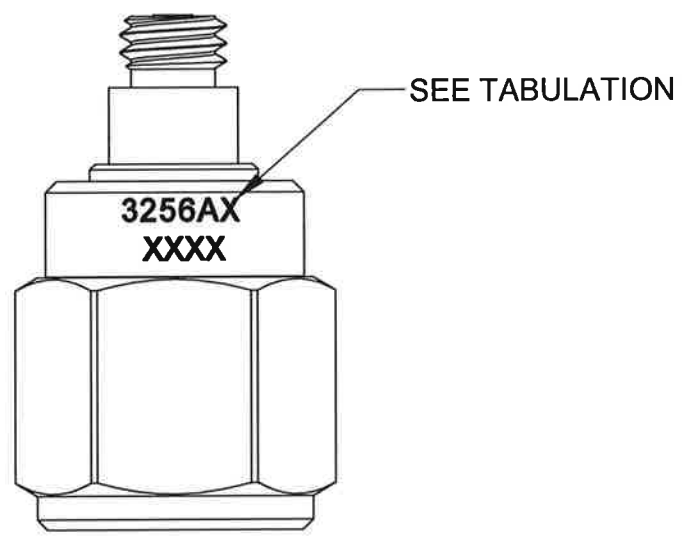
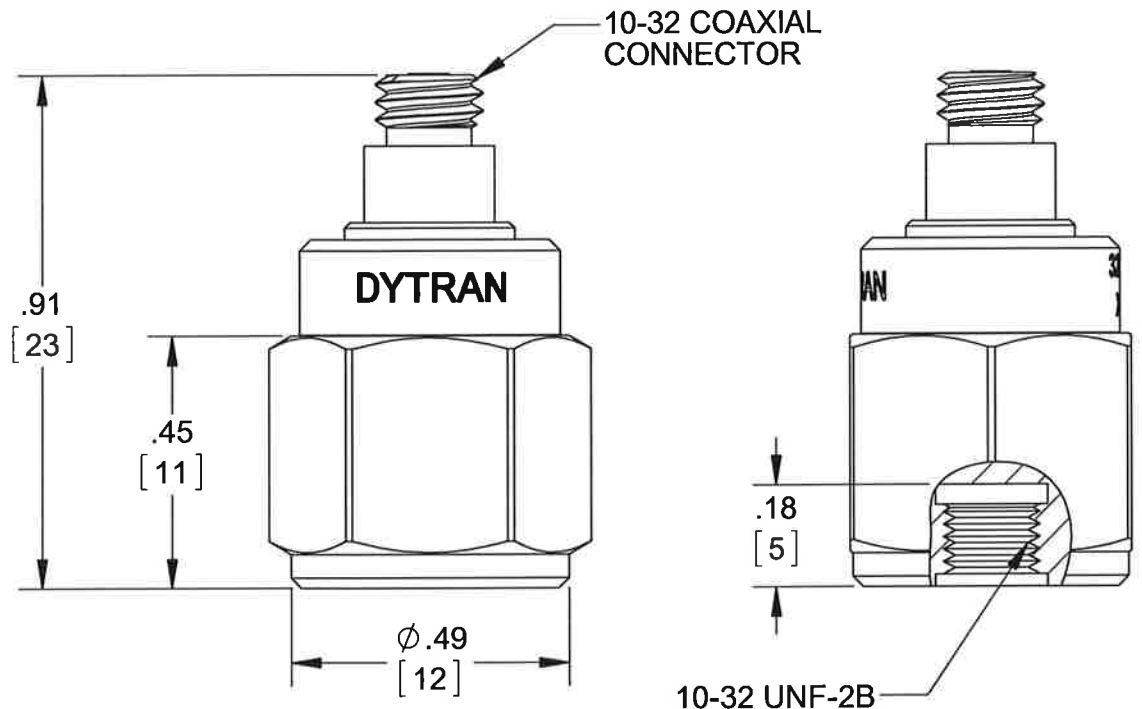
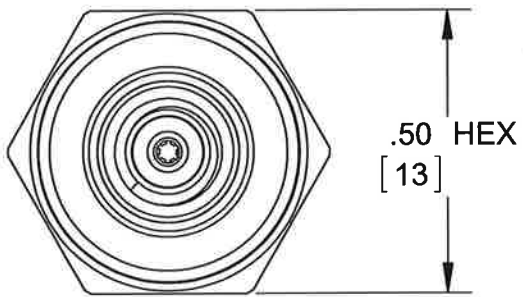


PROPRIETARY AND CONFIDENTIAL

THE INFORMATION CONTAINED IN THIS DRAWING IS THE SOLE PROPERTY OF DYTRAN INSTRUMENTS INC. ANY REPRODUCTION IN PART OR AS A WHOLE WITHOUT THE WRITTEN PERMISSION OF DYTRAN INSTRUMENTS INC. IS PROHIBITED

REVISIONS

| REV | ECN | DESCRIPTION | BY/DATE | CHK | APPR |
|-----|-------|------------------------------------|-----------------|-----|------|
| A | 4535 | INITIAL RELEASE | RA 02/05/07 | CES | CES |
| B | 11745 | MOVED MARKING FROM HEX TO DIAMETER | NDC 02/25/15 | JS | LN |
| C | 11835 | REDESIGNED PER ECN | RA, 05/22/15 | EM | LN |



| 3256A6 | C | 11835 | 05/18/15 | 200 mV/g |
|--------|-----|-------|----------|-------------|
| 3256A5 | C | 11835 | 05/18/15 | 50 mV/g |
| 3256A4 | C | 11835 | 05/18/15 | 20 mV/g |
| 3256A3 | C | 11835 | 05/18/15 | 500 mV/g |
| 3256A2 | C | 11835 | 05/18/15 | 100 mV/g |
| 3256A1 | C | 11835 | 05/18/15 | 10 mV/g |
| MODEL | REV | ECN | DATE | SENSITIVITY |

TABULATION

UNLESS OTHERWISE SPECIFIED:
 INTERPRET DIM & TOL PER ASME Y14.5M - 1994.
 REMOVE BURRS.
 COUNTERSINK INTERNAL THDS 90° TO MAJOR DIA.
 CHAM EXT THDS 45° TO MINOR DIA.
 THD LENGTHS AND DEPTHS ARE FOR MIN FULL THDS.
 DIMENSIONS APPLY AFTER FINISHING.

UNLESS OTHERWISE SPECIFIED:
 DIMENSIONS ARE IN INCHES.
 TOLERANCES ARE: DECIMALS .XX ±.01 .XXX ±.005 ANGLES ±1°

| APPROVALS | | DATE |
|-----------|-----|----------|
| DRAWN | RA | 02/05/07 |
| DESIGN | RA | 02/05/07 |
| CHK | CES | 02/05/07 |
| APP | CES | 02/05/07 |

ALL MACHINED SURFACES.
 TOTAL RUNOUT WITHIN .005.
 BREAK SHARP EDGES .005 TO .010.
 MACHINED FILLET RADII .005 TO .015.
 WELDING SYMBOLS PER AWS A2.4.
 ABBREVIATIONS PER MIL-STD-12.

DO NOT SCALE DRAWING

DYTRAN MASTER INSTRUMENTS, INC. Chatsworth, CA

TITLE: **OUTLINE/INSTALLATION, MODEL 3256A**

| | | | |
|---------------|------------------------|-------------------------|--------------|
| SIZE B | CAGE CODE 2W033 | DWG NO 127-3256A | REV C |
| SCALE: 2:1 | PART NO: | SHEET 1 OF 1 | |

NOTES: UNLESS OTHERWISE SPECIFIED

| | | |
|-------------------------------|-----------------------------------|----------------------------|
| Model Number 3256A6 | PERFORMANCE SPECIFICATIONS | DOC NO PS3256A6 |
| IEPE ACCELEROMETER | | REV A, ECN 11835, 05/22/15 |



- HERMETICALLY SEALED
- CASE GROUNDED

PHYSICAL

Weight
Connector
Mounting Provision
Material, Housing/Connector
Sensing Element
Element Style

Type
Tapped Hole

| ENGLISH | | SI | |
|----------------|----|----------------|-------|
| 0.35 | oz | 10 | grams |
| 10-32 | | 10-32 | |
| 10-32 X .150 ↓ | | 10-32 X .150 ↓ | |
| Titanium | | Titanium | |
| Ceramic | | Ceramic | |
| Planar Shear | | Planar Shear | |

PERFORMANCE

Sensitivity, ±5% [1]
Range for ± 5 Volts Output
Frequency Response, ±10%
Resonant Frequency
Broad Band Resolution
Linearity [2]
Maximum Transverse Sensitivity
Strain Sensitivity @ 250µε

| | | | |
|-------------|--------|-------------|----------------------|
| 200 | mV/G | 20.4 | mV/m/s ² |
| 25 | G peak | 245 | m/s ² |
| 1 to 10,000 | Hz | 1 to 10,000 | Hz |
| > 36 | kHz | > 36 | kHz |
| 0.0003 | G rms | 0.0029 | m/s ² rms |
| ±1 | % F.S. | ±1 | % F.S. |
| 5 | % | 5 | % |
| 0.001 | G/µε | 0.01 | m/s ² /µε |

ENVIRONMENTAL

Maximum Vibration
Maximum Shock
Temperature Range
Seal

| | | | |
|------------|--------|------------|-----------------------|
| 300 | G peak | 2943 | m/s ² peak |
| 2000 | G peak | 19620 | m/s ² peak |
| -60 to 225 | °F | -51 to 107 | °C |
| HERMETIC | | HERMETIC | |

ELECTRICAL

Supply Current Range [3]
Compliance Voltage Range
Output Impedence, Typ
Bias Voltage
Discharge Time Constant

| | | | |
|------------|-------|------------|-------|
| 2 to 20 | mA | 2 to 20 | mA |
| +18 to +30 | Volts | +18 to +30 | Volts |
| 100 | Ω | 100 | Ω |
| +9 to +13 | VDC | +9 to +13 | VDC |
| .5 to 1.5 | Sec | .5 to 1.5 | Sec |

This family also includes:

| Model | Sensitivity (mV/g) | Frequency Response (Hz) | Time Constant (Sec) | Operating Temp (°F) |
|--------|--------------------|-------------------------|---------------------|---------------------|
| 3256A1 | 10 | 1 to 10000 | 0.5 to 1.5 | -60 to +250 |
| 3256A2 | 100 | 1 to 10000 | 0.5 to 1.5 | -60 to +250 |
| 3256A3 | 500 | 1 to 10000 | 0.5 to 1.5 | -60 to +225 |
| 3256A4 | 20 | 1 to 10000 | 0.5 to 1.5 | -60 to +250 |
| 3256A5 | 50 | 1 to 10000 | 0.5 to 1.5 | -60 to +250 |

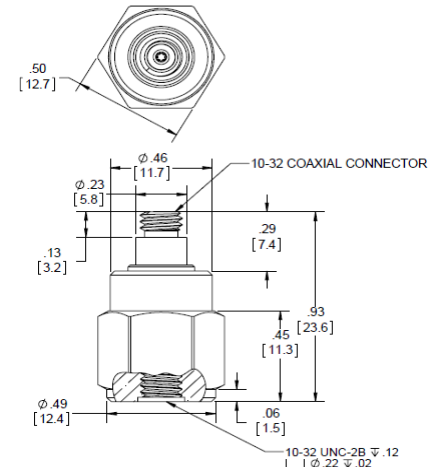
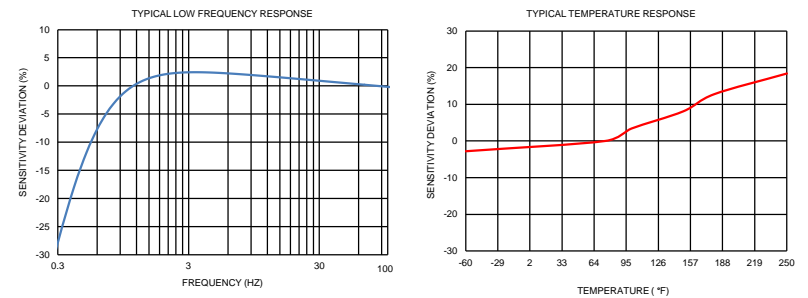
Refer to the performance specifications of the products in this family for detailed description

Supplied Accessories:

- 1) Accredited calibration certificate (ISO 17025)
- 2) 10-32 to 10-32 mounting stud, Model 6200. Qty. 1

Notes:

- [1] Measured at 100Hz, 1 Grms per ISA RP 37.2.
- [2] Measured using zero-based straight line method, % of F.S. or any lesser range.
- [3] Do not apply power to this system without current limiting, 20 mA MAX. To do so will destroy the IC charge amplifier.
- [4] In the interest of constant product improvement, we reserve the right to change specifications without notice.



Units on the line drawing are in inches, units in brackets are in millimeters. Refer to 127-3256A for more information.



21592 Marilla Street, Chatsworth, California 91311 Phone: 818.700.7818 Fax: 818.700.7880 www.dytran.com
For permission to reprint this content, please contact info@dytran.com