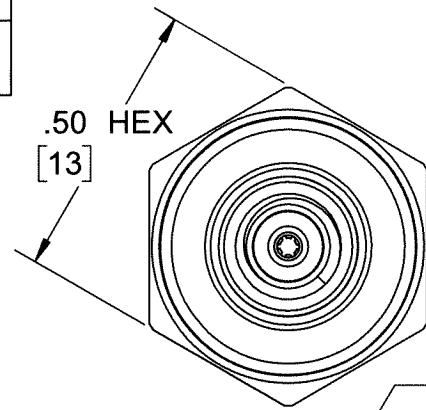


PROPRIETARY AND CONFIDENTIAL

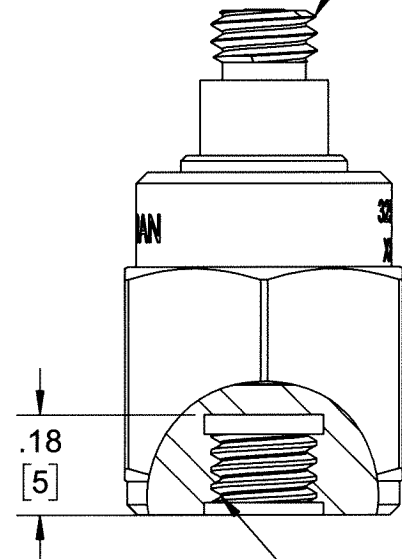
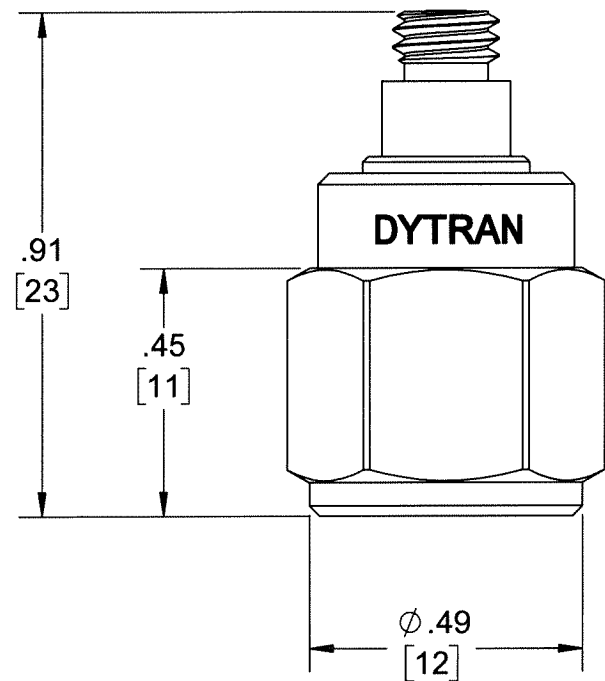
THE INFORMATION CONTAINED IN THIS DRAWING IS THE SOLE PROPERTY OF DYTRAN INSTRUMENTS INC. ANY REPRODUCTION IN PART OR AS A WHOLE WITHOUT THE WRITTEN PERMISSION OF DYTRAN INSTRUMENTS INC. IS PROHIBITED

REVISIONS

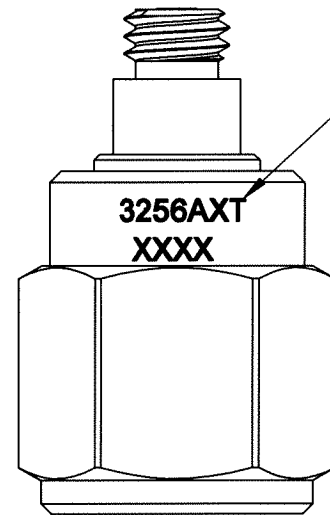
REV.	ECN	DESCRIPTION	BY/DATE	CHK	APPR
A	4932	INITIAL RELEASE	JS 11/27/07	RA	CES
B	11745	MOVED MARKING FROM HEX TO DIAMETER	NDC 02/25/15	JS	LN
C	11835	REDESIGNED WITH CHANGES	RA, 05/19/15	EM	LN
D	14629	INITIAL RELEASE, SAME AS C1: 3256A4T AND 3256A6T	RA, 10/23/18	DP	LN



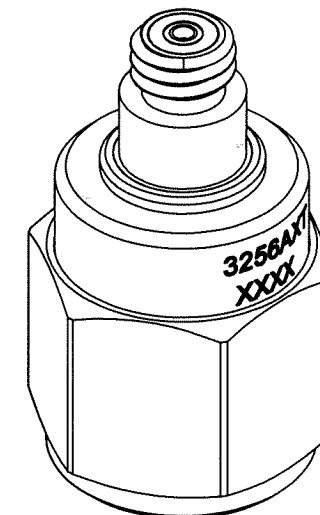
10-32 UNF-2A COAXIAL CONNECTOR



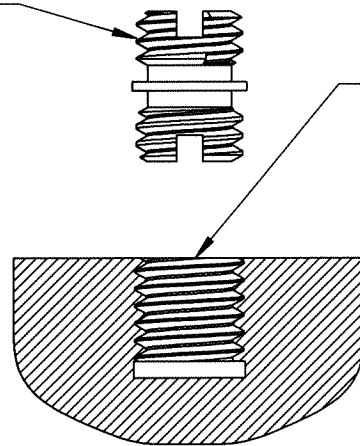
10-32-UNF-2B



SEE TABULATION



10-32 UNF-2A  
MODEL 6200  
MTG STUD  
PROVIDED



MOUNTING SURFACE HOLE  
PREPARATION: SELECT SURFACE  
FLAT TO .001 TIR  
TAP 10-32 UNF-2B X .200 MIN THD DEPTH

3256A6T	A	14629	10/23/18	200mV/G
3256A5T	C	11835	05/29/15	50mV/G
3256A4T	A	14629	10/23/18	20mV/G
3256A3T	C	11835	05/19/15	500mV/G
3256A2T	C	11835	05/19/15	100mV/G
3256A1T	C	11835	05/19/15	10mV/G
<b>MODEL</b>	<b>REV</b>	<b>ECN</b>	<b>DATE</b>	<b>SEN mV/G</b>

**TABULATION**

NOTES: UNLESS OTHERWISE SPECIFIED

UNLESS OTHERWISE SPECIFIED:  
INTERPRET DIM & TOL PER  
ASME Y14.5M - 1994.  
REMOVE BURRS.  
COUNTERSINK INTERNAL THDS  
90° TO MAJOR DIA.  
CHAM EXT THDS 45° TO MINOR DIA.  
THD LENGTHS AND DEPTHS ARE FOR  
MIN FULL THDS.  
DIMENSIONS APPLY AFTER FINISHING.

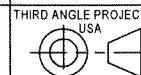
ALL MACHINED SURFACES:  
TOTAL RUNOUT WITHIN .005.  
BREAK SHARP EDGES .005 TO .010.  
MACHINED FILLET RADII .005 TO .015.  
WELDING SYMBOLS PER AWS A2.4.  
ABBREVIATIONS PER MIL-STD-12.

UNLESS OTHERWISE SPECIFIED:  
DIMENSIONS ARE IN INCHES.  
DIMENSIONS IN BRACKETS [ ] ARE IN  
MILLIMETERS TOLERANCES ARE:

DECIMALS	METRIC	ANGLES
.XX ± .03	.X ± 0.8	± 1°
.XXX ± .010	.XX ± 0.25	

APPROVALS		DATE
ORIG	JS	11/26/07
CHK	RA	11/26/07
APP	CES	11/30/07

DO NOT SCALE DRAWING



TITLE: **OUTLINE/INSTALLATION,  
MODEL 3256AXT**

SIZE	CAGE CODE	DWG NO	REV
<b>B</b>	<b>2W033</b>	<b>127-3256AT</b>	<b>D</b>

SCALE: 2:1 SHEET 1 OF 1

Model Number  
3256A5T

**PERFORMANCE SPECIFICATIONS**

DOC NO  
PS3256A5T

**IEPE ACCELEROMETER**

REV A, ECN 11835, 05/22/15



- HERMETICALLY SEALED
- CASE GROUNDED
- TEDS

**This family also includes:**

Model	Sensitivity (mV/g)	Frequency Response (Hz)	Time Constant (Sec)	Operating Temp (°F)
3256A1T	10	1 to 10000	0.5 to 1.5	-60 to +250
3256A2T	100	1 to 10000	0.5 to 1.5	-60 to +250
3256A3T	500	1 to 10000	0.5 to 1.5	-60 to +225

Refer to the performance specifications of the products in this family for detailed description

**Supplied Accessories:**

- 1) Accredited calibration certificate (ISO 17025)
- 2) 10-32 to 10-32 mounting stud, Model 6200. Qty. 1

**Notes:**

- [1] Measured at 100Hz, 1 Grms per ISA RP 37.2.
- [2] Measured using zero-based straight line method, % of F.S. or any lesser range.
- [3] Do not apply power to this system without current limiting, 20 mA MAX. To do so will destroy the IC charge amplifier.
- [4] In the interest of constant product improvement, we reserve the right to change specifications without notice.

**PHYSICAL**

Weight  
Connector  
Mounting Provision  
Material, Housing/Connector  
Sensing Element  
Element Style

ENGLISH		SI	
0.35	oz	10	grams
10-32		10-32	
10-32 X .150 ↓		10-32 X .150 ↓	
Titanium		Titanium	
Ceramic		Ceramic	
Planar Shear		Planar Shear	

**PERFORMANCE**

Sensitivity, ±5% [1]  
Range for ± 5 Volts Output  
Frequency Response, ±10%  
Resonant Frequency  
Broad Band Resolution  
Linearity [2]  
Maximum Transverse Sensitivity  
Strain Sensitivity @ 250µε

ENGLISH		SI	
50	mV/G	5.1	mV/m/s <sup>2</sup>
100	G peak	981	m/s <sup>2</sup>
1 to 10,000	Hz	1 to 10,000	Hz
> 36	kHz	> 36	kHz
0.0010	G rms	0.0098	m/s <sup>2</sup> rms
±1	% F.S.	±1	% F.S.
5	%	5	%
0.001	G/µε	0.01	m/s <sup>2</sup> /µε

**ENVIRONMENTAL**

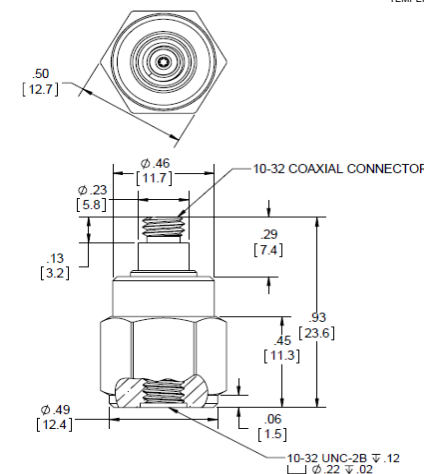
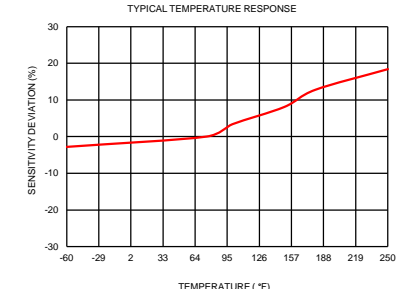
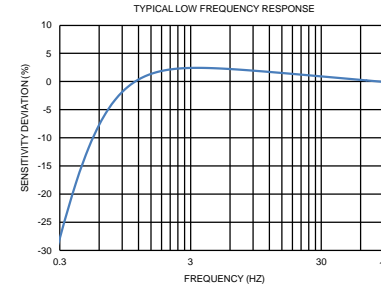
Maximum Vibration  
Maximum Shock  
Operating Temperature Range  
TEDS Operating Temperature  
Seal

ENGLISH		SI	
500	G peak	4905	m/s <sup>2</sup> peak
3000	G peak	29430	m/s <sup>2</sup> peak
-60 to +250	°F	-51 to 121	°C
-40 to +185	°F	-40 to +85	°C
HERMETIC		HERMETIC	

**ELECTRICAL**

Supply Current Range [3]  
Compliance Voltage Range  
Output Impedence, Typ  
Bias Voltage  
Discharge Time Constant  
TEDS

ENGLISH		SI	
2 to 20	mA	2 to 20	mA
+18 to +30	Volts	+18 to +30	Volts
100	Ω	100	Ω
+9 to +13	VDC	+9 to +13	VDC
.5 to 1.5	Sec	.5 to 1.5	Sec
IEEE 1451.4		IEEE 1451.4	



Units on the line drawing are in inches, units in brackets are in millimeters. Refer to 127-3256AT for more information.



21592 Marilla Street, Chatsworth, California 91311 Phone: 818.700.7818 Fax: 818.700.7880 www.dytran.com  
For permission to reprint this content, please contact info@dytran.com