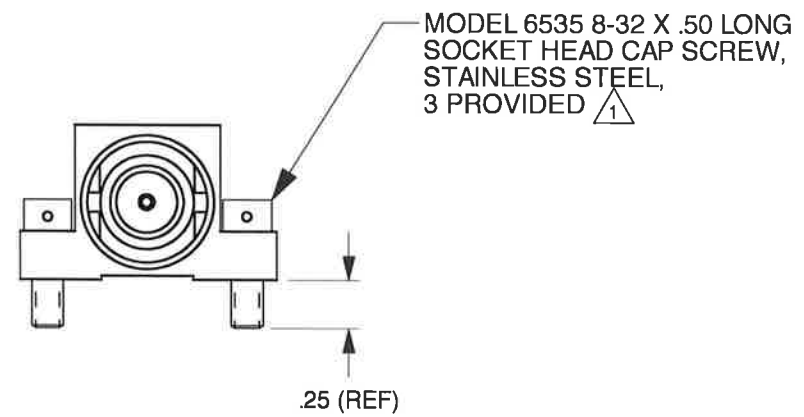
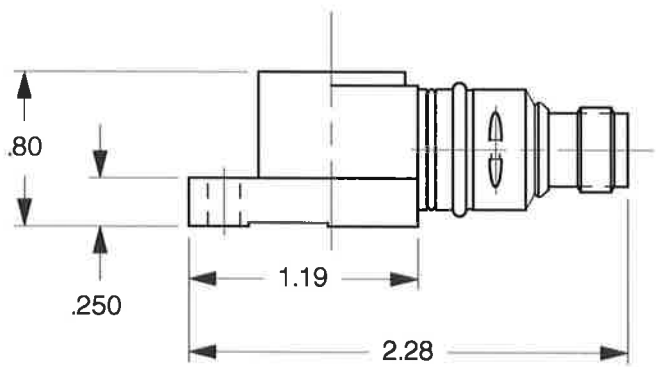
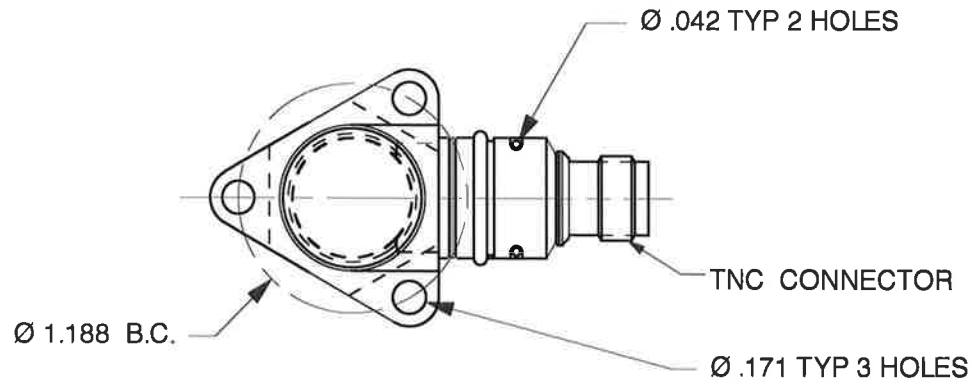


REV	ECN	DESCRIPTION	BY/DATE	CHK	APPR
A	12777	NOTE 2 WAS: MATERIAL, HOUSING: 316L STAINLESS STEEL CONNECTOR ADAPTOR: INCONEL 600.	JS 06/27/16	LA	W



2. MATERIAL: 300 SERIES STAINLESS STEEL

\triangle TORQUE MOUNTING SCREWS TO 20 LB-INCHES. LOCKWIRE IF DESIRED.

EXCEPT AS OTHERWISE NOTED

ALL DIMENSIONS IN INCHES
TOLERANCE: .XXX = ± .XX = ±

SURFACE FINISH
EXCEPT AS NOTED ✓

BREAK EDGES TO DEBURR
RADIUS OR CHAMFER

\triangle THESE DIAS \odot TO T.I.R.

FILLETS - MAX RAD.

ALL PART NUMBER LETTER SUFFIXES ARE TO BE INTERPRETED AS FOLLOWS:

I.E. - 107-0000-01 \odot

M - MACHINED ONLY (UNPLATED) G - MATERIAL HAS BEEN GRAINED
P - PLATED/PAINTED S - MATERIAL HAS BEEN SAWCUT
H - HEAT TREATED E - ENVIRONMENTAL TEST

		MASTER ONLY IF IN RED		CHATSWORTH, CA	
SCALE	1X	REV - DATE	ECN	SEE REV BLK	
DATE	1/24/97	PART NO.	MODEL 3197C		
DRAWN	N.C.	CHECKED	MAT'L	SEE NOTE 2	
APPROVED		NEXT ASSEMBLY	USED ON	3197C	
TITLE				DWG NO.	
OUTLINE INSTALLATION DRAWING, MODEL 3197C HIGH TEMPERATURE ACCELEROMETER				127-3197C	
				SHEET 1 OF 1	

MODEL NUMBER	PERFORMANCE SPECIFICATION		DOC NUMBER
3197C	Accelerometer, Charge Mode		PS3197C
			REV A, ECN 12876, 08/17/16



- HIGH-TEMPERATURE OPERATION
- CHARGE MODE
- INTERNALLY GROUND ISOLATED

PHYSICAL

		ENGLISH		SI	
Weight, Max		3.0	oz	85	grams
Size	Length	2.28	inch	57.91	mm
	Height	0.8	inch	20.32	mm
Mounting, Three-hole	Diameter	1.188	inch	30.18	mm
Connector	Material	Stainless Steel		Stainless Steel	
	Type	TNC Jack		TNC Jack	
Housing	Material	Stainless Steel		Stainless Steel	
Sensing Element	Material	Ceramic		Ceramic	
	Mode	Compression		Compression	

PERFORMANCE

Sensitivity	2.4 to 4.5	pC/g	0.24 to 0.46	pC/m/s ²
Range, F.S.	500	G peak	500	G peak
Frequency Response, ±5%	[1] -2500	Hz	[1] -2500	Hz
Resonance Frequency	>13	kHz	>13	kHz
Transverse Sensitivity, Max	5	%	5	%
Base Strain Sensitivity	0.012	g/με	0.12	m/s ² /με
Amplitude Non-linearity [2]	2	% F.S.	2	% F.S.

ELECTRICAL

Capacitance, Nom	190	pF	190	pF
Case Isolation, Min	10	MΩ	10	MΩ
Output Signal Polarity [3]	Negative-Going		Negative-Going	

ENVIRONMENTAL

Maximum Shock	2000	G peak	19620	m/s ²
Maximum Vibration	±1000	G	±9800	m/s ²
Thermal Sensitivity Coefficient	0.02	% / °F	0.036	% / °C
Operating Temperature	-65 to 500	°F	-54 to 260	°C
Seal	Hermetic		Hermetic	

This family also includes:

Model	Sensitivity (pC/g)	Range (Gpeak)	Oper. Temp(°F)

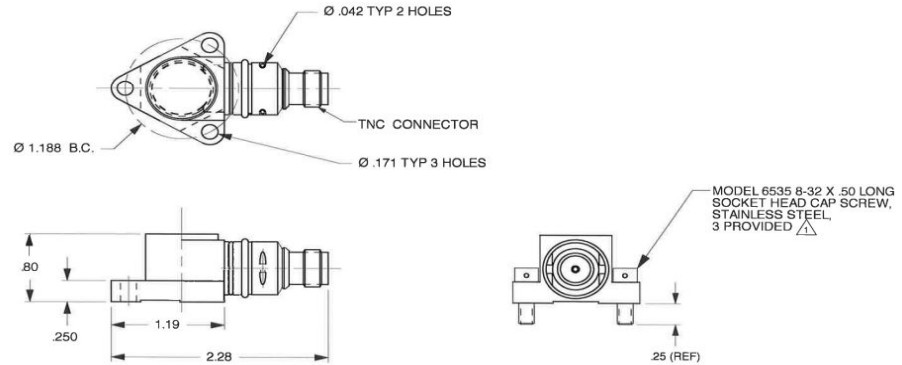
Please refer to the performance specifications of the products in this family for detailed description.

Supplied Accessories:

- 1) Model 6535 Mounting Screw, 8-32 thread (3)

Notes:

- [1] Low frequency response is a function of the charge amplifier discharge time constant.
- [2] Measured using zero-based straight line method, percentage of F.S. or any lesser range.
- [3] Measured for acceleration towards top.



Units on the line drawing are in inches, units in brackets are in millimeters. Refer to 127-3197C for more information.



21592 Marilla Street, Chatsworth, California 91311 Phone: 818.700.7818
 Fax: 818.700.7880 www.dytran.com For permission to reprint this content, please contact