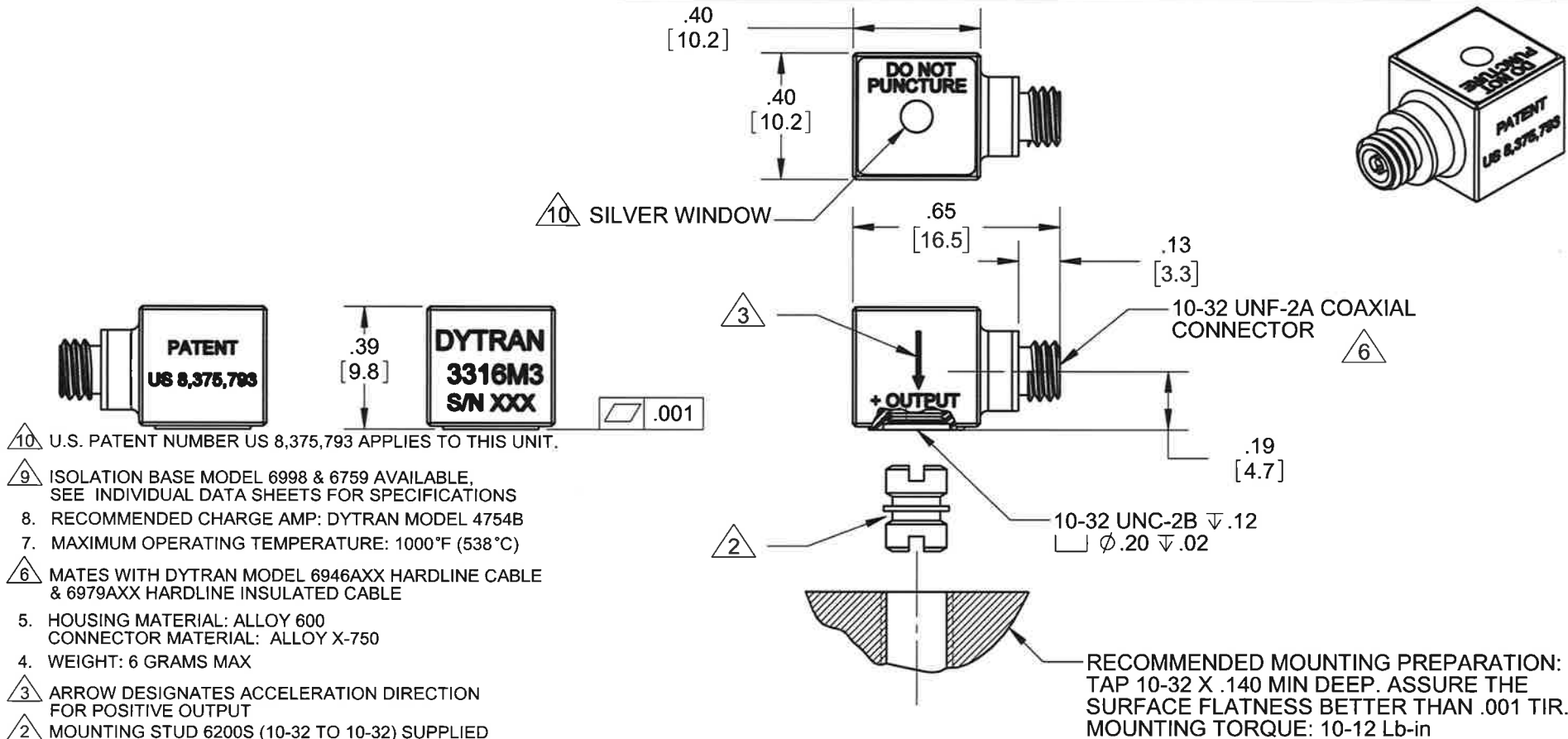


PROPRIETARY AND CONFIDENTIAL

THE INFORMATION CONTAINED IN THIS DRAWING IS THE SOLE PROPERTY OF DYTRAN INSTRUMENTS INC. ANY REPRODUCTION IN PART OR AS A WHOLE WITHOUT THE WRITTEN PERMISSION OF DYTRAN INSTRUMENTS INC. IS PROHIBITED

REVISIONS

REV	ECN	DESCRIPTION	BY/DATE	CHK	APPR
E	11957	NOTE 4 WAS: WEIGHT: 5 GRAMS MAX	JS 11/06/14	LA	DV
F	13509	NOTE 5: CONNECTOR MATERIAL: WAS: UNS K94610, ASTM F-15 IS: ALLOY X-750	AM 6/14/17	W	AS



- 10. U.S. PATENT NUMBER US 8,375,793 APPLIES TO THIS UNIT.
 - 9. ISOLATION BASE MODEL 6998 & 6759 AVAILABLE, SEE INDIVIDUAL DATA SHEETS FOR SPECIFICATIONS
 - 8. RECOMMENDED CHARGE AMP: DYTRAN MODEL 4754B
 - 7. MAXIMUM OPERATING TEMPERATURE: 1000°F (538°C)
 - 6. MATES WITH DYTRAN MODEL 6946AXX HARDLINE CABLE & 6979AXX HARDLINE INSULATED CABLE
 - 5. HOUSING MATERIAL: ALLOY 600
CONNECTOR MATERIAL: ALLOY X-750
 - 4. WEIGHT: 6 GRAMS MAX
 - 3. ARROW DESIGNATES ACCELERATION DIRECTION FOR POSITIVE OUTPUT
 - 2. MOUNTING STUD 6200S (10-32 TO 10-32) SUPPLIED
 - 1. SENSITIVITY: 1 TO 2 pC/g
- NOTES: UNLESS OTHERWISE SPECIFIED

UNLESS OTHERWISE SPECIFIED:
 INTERPRET DIM & TOL PER ASME Y14.5M - 1994.
 REMOVE BURRS.
 COUNTERSINK INTERNAL THDS 90° TO MAJOR DIA.
 CHAM EXT THDS 45° TO MINOR DIA.
 THD LENGTHS AND DEPTHS ARE FOR MIN FULL THDS.
 THDS PER MIL-S-7742.
 DIMENSIONS APPLY AFTER FINISHING.

UNLESS OTHERWISE SPECIFIED:
 DIMENSIONS ARE IN INCHES. DIMENSIONS IN BRACKETS [] ARE IN MILLIMETERS
 TOLERANCES ARE:
 INCHES METRIC ANGLES
 .XX ± .03 .X ± 0.8 ± 1°
 .XXX ± .010 .XX ± 0.25

MATERIAL

FINISH

DO NOT SCALE DRAWING

CONTRACT NO.

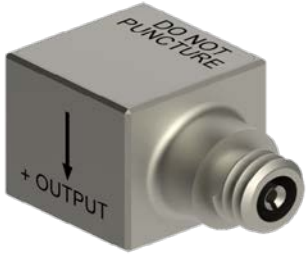
APPROVALS		DATE
ORIG	JS	09/26/12
CHK	AB	09/26/12
APP	AS	10/05/12
APP		

DYTRAN MASTER
 INSTRUMENTS, INC. Chatsworth, CA

TITLE: **OUTLINE/INSTALLATION DRAWING, 3316M3**

SIZE	CAGE CODE	DWG. NO.	REV
A	2W033	127-3316M3	F

SCALE: NONE SOLIDWORKS SHEET 1 OF 2



- MINIATURE SIZE
- HERMETICALLY SEALED
- HIGH TEMPERATURE OPERATION

PHYSICAL

Weight, Max	
Size	Square x Height
Connector [3]	Type
Mounting Provision : Tapped Hole	
Material	Housing
	Connector
Element Style	Material
	Type

ENGLISH		SI	
0.21	oz	6.0	grams
.40 x .39	Inches	10.16 x 9.8	mm
10-32 Coaxial		10-32 Coaxial	
10-32 UNC-2B		10-32 UNC-2B	
Alloy 600		Alloy 600	
Alloy X-750		Alloy X-750	
Single Crystal		Single Crystal	
Planar Shear		Planar Shear	

PERFORMANCE

Sensitivity [1]	1 to 2	pC/g	0.10 to 0.20	pC/m/s ²
Range F.S for ± 5 Volts Output	[9]	G's	[9]	m/s ²
Frequency Range, ±10%	[4] to 10000	Hz	[4] to 10000	Hz
Resonant Frequency	> 45	kHz	> 45	kHz
Capacitance	120	pF	120	pF
Linearity [2]	± 1%	% F.S.	± 1%	% F.S.
Phase Response (±5°)	[4] to 3000	Hz	[4] to 3000	Hz
Maximum Transverse sensitivity	5	%	5	%
Strain Sensitivity	0.002	g/με	0.02	m/s ² /με
Insulation resistance, (Connector pin to case)	at 75°F > 5	MΩ	at 75°F > 5	Ω
	at 1000°F > 0.25	MΩ	at 1000°F > 0.25	Ω
Coefficient of Thermal Sens.	0.02	%F	0.02	%F
Ground Isolation	Case Ground		Case Ground	

ENVIRONMENTAL

Maximum Vibration	±6000	G, peak	±58860	m/s ² , peak
Maximum Shock	±10000	G, peak	±98100	m/s ² , peak
Temperature Range	-60 to +1000	°F	-51 to +538	°C
Seal	Hermetic		Hermetic	
Radiation Exposure Limit (Integrated Neutron Flux)	1.0E+10	N/cm ²	1.0E+10	N/cm ²
Radiation Exposure Limit (Integrated Gamma Flux)	1.0E+08	rad	1.0E+08	rad

This family also includes:

Model	Sensitivity (pC/g)	Range F.S (G's)	Output Polarity	Temperature (°F)

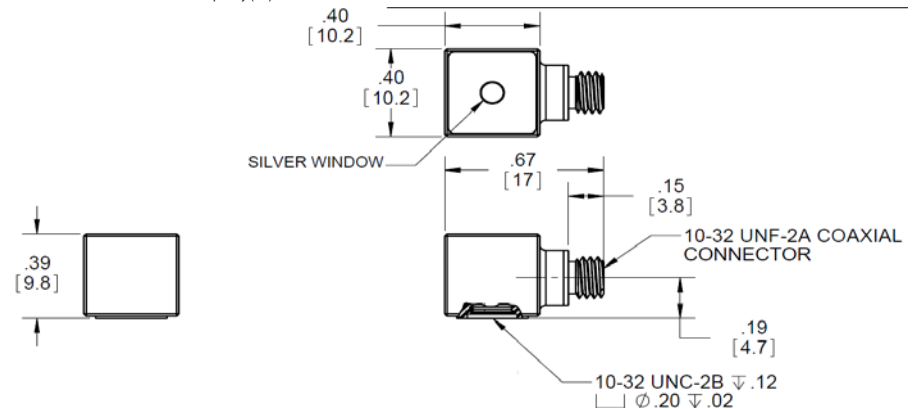
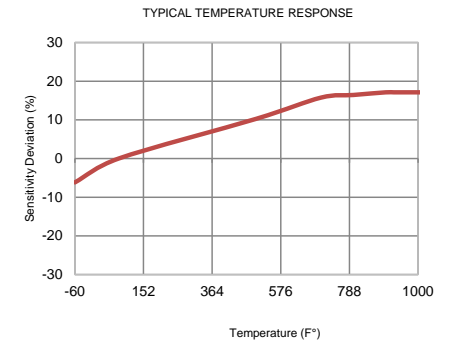
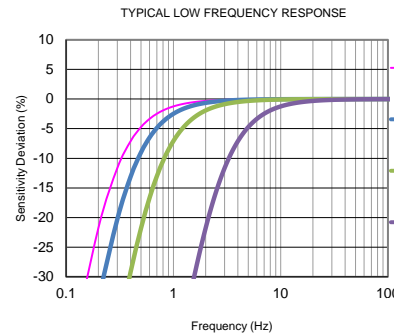
Refer to the performance specifications of the products in this family for detailed description.

Supplied Accessories:

- 1) Accredited calibration certificate (ISO 17025)
- 2) Model 6200S mounting stud (10-32 to 10-32), qty 1

Notes:

- [1] Measured at 100Hz, 1 Grms per ISA RP 37.2
- [2] Measured using zero-based straight line method, % of F.S. or any lesser range.
- [3] Mates with Dytran cable 6946AXX hardline cable and 6979AXX hardline insulated cable.
- [4] Low frequency response and phase response are a function of the discharge time constant of the charge amplifier used. See graph below for example.
- [5] In the interest of constant product improvement, we reserve the right to change specifications without notice.
- [6] Recommended charge amplifier: Dytran model 4754B, Series.
- [7] Isolation mounting base model 6959 (triaxial) and 6998 (uniaxial) are available.
- [8] U.S. Patent number US 8,375,793 B2 applies to this unit.
- [9] This parameter depends on the gain settings of the charge amplifier used.



Units on the line drawing are in inches, units in brackets are in millimeters. Refer to 127-3316M3 for more information.

