

4

3

2

1

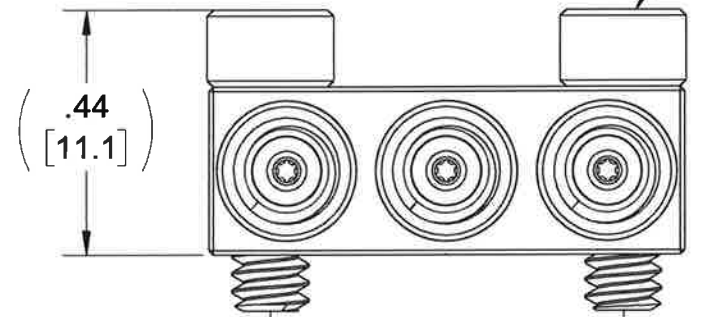
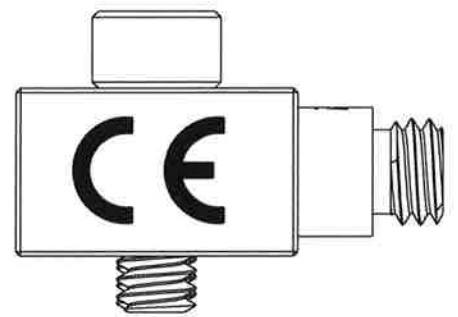
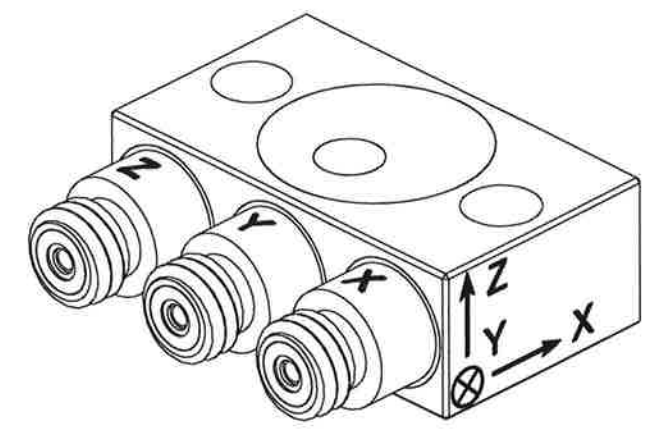
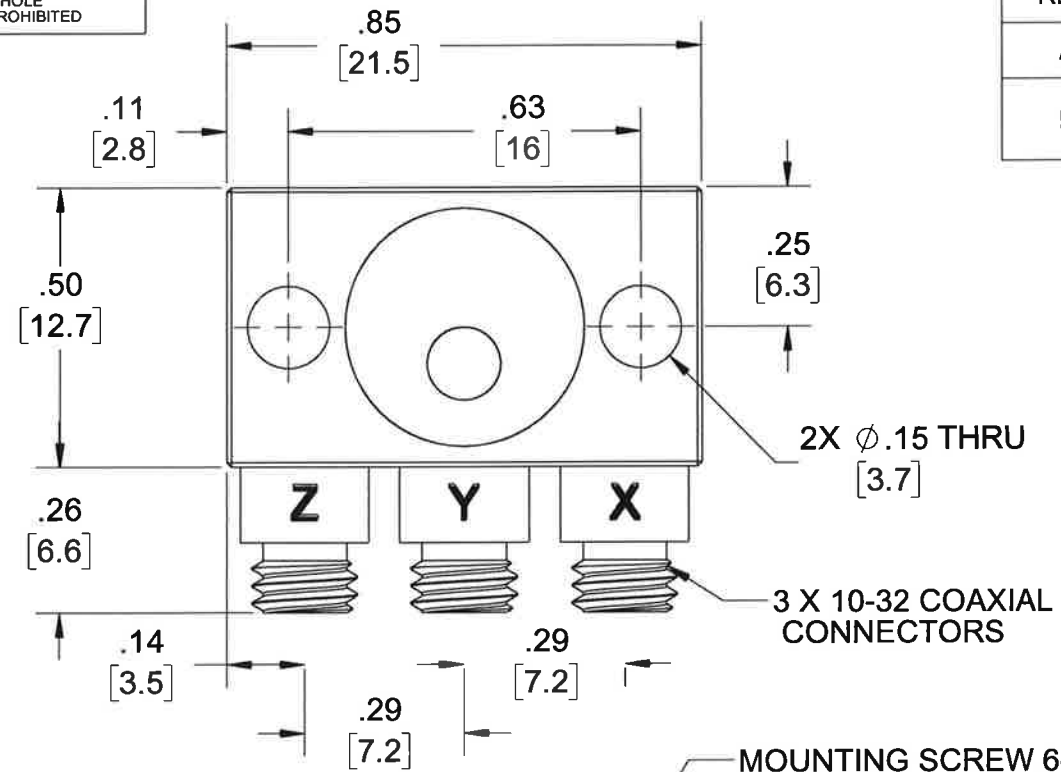
DWG NO 127-3443C SH 1 REV B

PROPRIETARY AND CONFIDENTIAL

THE INFORMATION CONTAINED IN THIS DRAWING IS THE SOLE PROPERTY OF DYTRAN INSTRUMENTS INC. ANY REPRODUCTION IN PART OR AS A WHOLE WITHOUT THE WRITTEN PERMISSION OF DYTRAN INSTRUMENTS INC. IS PROHIBITED

REVISIONS

REV.	ECN	DESCRIPTION	BY/DATE	CHK	APPR
A	9723	INITIAL RELEASE	LN 09/11/13	AB	DV
B	13045	ADDED CE MARKING AND CE TO TITLE OF DRAWING	JS 11/08/16	LA	AS



MOUNTING SCREW 6-32 X .40 LONG, MODEL 6247A2, QTY. 2, SUPPLIED

RECOMMENDED MOUNTING PREPARATION: TAP 2X 6-32 X .30 MIN. ASSURE SURFACE FLATNESS BETTER THAN .001 TIR. MOUNTING TORQUE: 4-5 Lb-in



- 6. ALIGNMENT MARKINGS MIGHT BE VISIBLE AT BOTTOM MOUNTING SURFACE.
 - 5. OPERATING TEMPERATURE: -94°F TO +500°F [-70°C TO +260°C]
 - 4. ISOLATED MOUNTING BASE, MODEL 6771, AVAILABLE.
 - △ ARROWS INDICATE DIRECTION OF ACCELERATION FOR NEGATIVE CHARGE OUTPUT
 - 2. MATERIAL: TITANIUM ALLOY
 - 1. WEIGHT: 10 GRAMS, MAX
- NOTES: UNLESS OTHERWISE SPECIFIED

UNLESS OTHERWISE SPECIFIED: INTERPRET DIM & TOL PER ASME Y14.5M - 1994. REMOVE BURRS. COUNTERSINK INTERNAL THDS 90° TO MAJOR DIA. CHAM EXT THDS 45° TO MINOR DIA. THD LENGTHS AND DEPTHS ARE FOR MIN FULL THDS. DIMENSIONS APPLY AFTER FINISHING.

DECIMALS	METRIC	ANGLES
.XX ±.03	.X ±0.8	±1°
.XXX ±.010	.XX ±0.25	

APPROVALS		DATE
ORIG	RT	12/11/2012
CHK	AB	09/12/13
APP	DV	09/19/13

ALL MACHINED SURFACES. TOTAL RUNOUT WITHIN .005. BREAK SHARP EDGES .005 TO .010. MACHINED FILLET RADII .005 TO .015. WELDING SYMBOLS PER AWS A2.4. ABBREVIATIONS PER MIL-STD-12.

DO NOT SCALE DRAWING

THIRD ANGLE PROJECTION USA

MASTER ONLY IF IN RED

DYTRAN INSTRUMENTS, INC. Chatsworth, CA

TITLE: **OUTLINE/INSTALLATION DWG, TRIAXIAL ACCEL, MODEL 3443C, CE CERTIFIED**

SIZE B	CAGE CODE 2W033	DWG NO 127-3443C	REV B
---------------	------------------------	-------------------------	--------------

SCALE: 3:1 SHEET 1 OF 1

4

3

2

1



- LIGHT WEIGHT
- HERMETICALLY SEALED
- HIGH TEMPERATURE OPERATION (500°F)
- CE CERTIFIED

		ENGLISH		SI	
PHYSICAL	Weight, Max	0.35	oz	10.0	grams
	Connector Type	3 X 10-32 Coaxial		3 X 10-32 Coaxial	
	Mounting Provision : Thru Hole	2 X Ø.150		2 X Ø 3.7	
	Material	Titanium		Titanium	
	Material	Titanium		Titanium	
	Material	Ceramic		Ceramic	
	Element Type	Planar Shear		Planar Shear	

		ENGLISH		SI		
PERFORMANCE	Sensitivity [1], ± 30%	2.7	pC/g	0.28	pC/m/s ²	
	Measurement Range	[6]	g pk	[6]	m/s ² pk	
	Frequency Range, ±5%	[3] to 5000	Hz	[3] to 5000	Hz	
	Frequency Range, ±10%	[3] to 10000	Hz	[3] to 10000	Hz	
	Resonant Frequency	> 25	kHz	> 25	kHz	
	Capacitance per Axis, Nom	490	pF	490	pF	
	Linearity [2]	± 1%	% F.S.	± 1%	% F.S.	
	Maximum Transverse sensitivity	6	%	6	%	
	Insulation resistance, (Connector pin to case)		at 70°F >10 ¹²	Ω	at 21°C >10 ¹²	Ω
			at 500°F >10 ⁸	Ω	at 260°C > 10 ⁸	Ω

		ENGLISH		SI	
ENVIRONMENTAL	Maximum Vibration	±3000	g pk	±29430	m/s ² , pk
	Maximum Shock	±5000	g pk	±49050	m/s ² , pk
	Temperature Range	-94 to+500	°F	-70 to+260	°C
	Seal	Hermetic		Hermetic	
	Radiation Exposure Limit (Integrated Neutron Flux)	1.0E+10	N/cm ²	1.0E+10	N/cm ²
	Radiation Exposure Limit (Integrated Gamma Flux)	1.0E+08	rad	1.0E+08	rad

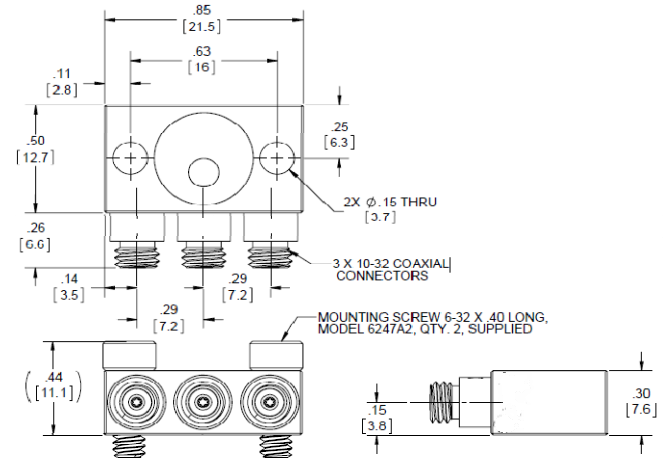
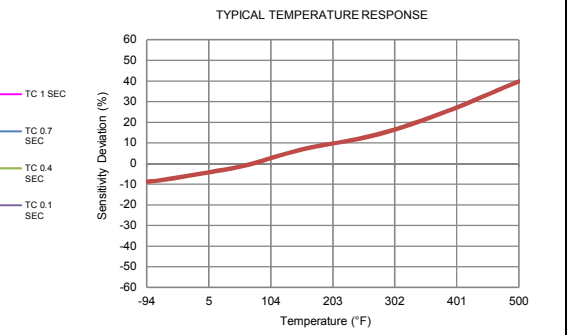
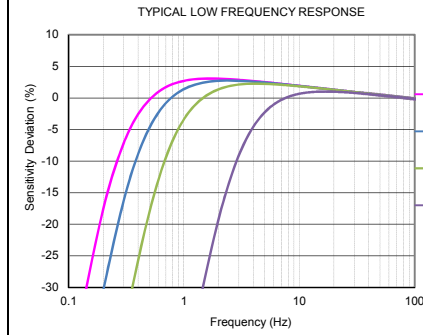
This family also includes:

Model	Sensitivity (pC/g)	Range F.S (G's)	Output Polarity	Temperature (°F)

Refer to the performance specifications of the products in this family for detailed description.

- Supplied Accessories:**
- 1) Accredited calibration certificate (ISO 17025)
 - 2) Model 6247A2 mounting screw (6-32), qty 2

- Notes:**
- [1] Measured at 100Hz, 1 Grms per ISA RP 37.2
 - [2] Measured using zero-based straight line method, % of F.S. or any lesser range.
 - [3] Low frequency response and phase response is function of the discharge time constant of the charge amplifier used. See graph below for example.
 - [4] In the interest of constant product improvement, we reserve the right to change specifications without notice.
 - [5] Isolated mounting base, model 6771, available.
 - [6] This parameter depends on the gain settings of the charge amplifier used.



Units on the line drawing are in inches, units in brackets are in millimeters. Refer to 127-3443C for more information.