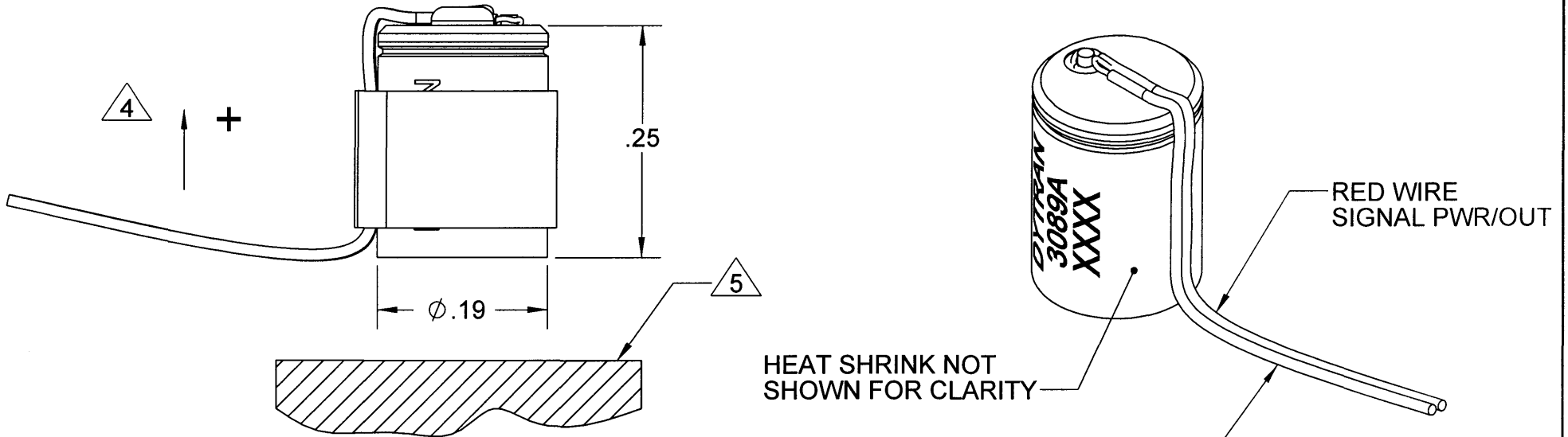


**PROPRIETARY AND CONFIDENTIAL**

THE INFORMATION CONTAINED IN THIS DRAWING IS THE SOLE PROPERTY OF DYTRAN INSTRUMENTS INC. ANY REPRODUCTION IN PART OR AS A WHOLE WITHOUT THE WRITTEN PERMISSION OF DYTRAN INSTRUMENTS INC IS PROHIBITED.

**REVISIONS**

REV	ECN	DESCRIPTION	BY/DATE	CHK	APPR
B	5485	48 INCHES WAS 6, ADDED WIRE COLOR/CALL OUT	JS 09/22/08	RA	PML
C	5501	ADDED NOTES 4 & 5	JS 09/25/08	RA	7V



**5** MOUNTING RECOMMENDATIONS: PREPARE SURFACE AT LEAST  $\phi .200$ , ASSURE FLATNESS OF  $.0001$  TIR OR BETTER. USE CYANOACRYLATE TO MOUNT ACCELEROMETER.

**4** ARROW INDICATES DIRECTION OF ACCELERATION FOR POSITIVE OUTPUT.

3. WIRE LENGTH: 48 INCHES
2. SENSITIVITY:  $10\text{mV/g} \pm 5\%$
1. MASS 0.6 GRAMS

DRILL HOLE SIZE	TOLERANCE
.0135 THRU .125	+ .004 / - .001
.1260 THRU .250	+ .005 / - .001
.2510 THRU .500	+ .006 / - .001
.5010 THRU .750	+ .008 / - .001
.7510 THRU 1.000	+ .010 / - .001
1.001 THRU 2.000	+ .012 / - .001

UNLESS OTHERWISE SPECIFIED:  
 INTERPRET DIM & TOL PER ASME Y14.5M - 1994.  
 REMOVE BURRS.  
 COUNTERSINK INTERNAL THDS 90° TO MAJOR DIA.  
 CHAM EXT THDS 45° TO MINOR DIA.  
 THD LENGTHS AND DEPTHS ARE FOR MIN FULL THDS.  
 THDS PER MIL-S-7742.  
 DIMENSIONS APPLY AFTER FINISHING.

UNLESS OTHERWISE SPECIFIED:  
 DIMENSIONS ARE IN INCHES.  
 TOLERANCES ARE:

DECIMALS	ANGLES
.XX ± .010	± 1°
.XXX ± .005	

CONTRACT NO.

**DYTRAN INSTRUMENTS, INC.** **MASTER ONLY IF IN RED**  
 Chatsworth, CA

TITLE: **OUTLINE DRAWING**  
**MODEL 3089A**

APPROVALS		DATE
ORIG	PML	4/3/2007
CHK	RA	01/21/08
APP	PML	01/21/08
APP		

SIZE	CAGE CODE	DWG. NO.	REV
<b>A</b>	<b>2W033</b>	<b>127-3089A</b>	<b>C</b>

SCALE: 6:1      SOLIDWORKS      SHEET 1 OF 1

THIRD ANGLE PROJECTION USA  
  
 ALL MACHINED SURFACES. TOTAL RUNOUT WITHIN .005.  
 BREAK SHARP EDGES .005 TO .010.  
 MACHINED FILLET RADII .005 TO .015.  
 WELDING SYMBOLS PER AWS A2.4.  
 ABBREVIATIONS PER MIL-STD-12

DO NOT SCALE DRAWING

	<b>IEPE ACCELEROMETER</b>	REV A. ECN 14579, 10/01/18
--	---------------------------	----------------------------



- LIGHTWEIGHT
- ADHESIVELY MOUNTED
- INCORPORATES INTEGRAL WIRES

**PHYSICAL**

Weight  
Output Wires  
Mounting Provision  
Material, Housing  
Sensing Element  
Element Style

ENGLISH		SI	
0.02	oz	0.6	grams
Integral		Integral	
Adhesive		Adhesive	
300 Series SS		300 Series SS	
Quartz		Quartz	
Shear		Shear	

**PERFORMANCE**

Sensitivity, ±5% [1]  
Range for ± 5 Volts Output, ±  
Frequency Response, ±10%  
Resonant Frequency  
Equivalent Electrical Noise  
Linearity [2]  
Maximum Transverse sensitivity  
Strain Sensitivity @ 250µε

10	mV/g	1	mV/m/s <sup>2</sup>
500	g	4905	m/s <sup>2</sup>
1 to 10000	Hz	1 to 10000	Hz
> 50	kHz	> 50	kHz
0.0014	Grms	0.014	m/s <sup>2</sup> rms
1	% F.S.	1	% F.S.
5	%	5	%
0.012	g/µε	0.12	m/s <sup>2</sup> /µε

**ENVIRONMENTAL**

Maximum Vibration  
Maximum Shock  
Temperature Range  
Seal, Hermetic

600	Gpeak	61	m/s <sup>2</sup> peak
3000	Gpeak	306	m/s <sup>2</sup> peak
-60 to +250	°F	-51 to +121	°C
Welded/ GTM Header		Welded/ GTM Header	

**ELECTRICAL**

Supply Current Range [3]  
Compliance Voltage Range  
Output Impedence, Typ  
Bias Voltage  
Discharge Time Constant  
Electrical Isolation

2 to 20	mA	2 to 20	mA
+18 to +30	Volts	+18 to +30	Volts
100	Ω	100	Ω
+7 to +9	VDC	+7 to +9	VDC
0.3 to 1.0	Sec	0.3 to 1.0	Sec
Case Grounded		Case Grounded	

**This family also includes:**

Model	Sensitivity (mV/g)	Frequency Response (Hz)	Time Constant (Sec)	Operating Temp (°F)

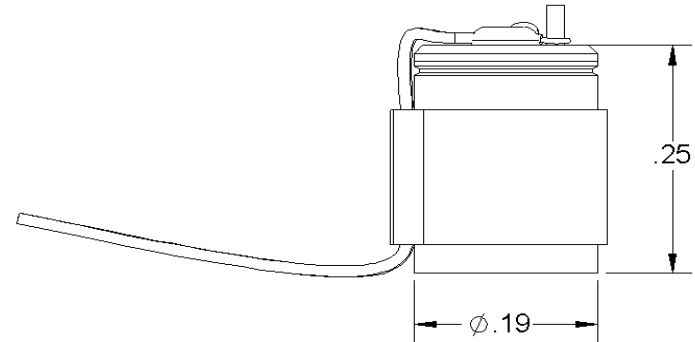
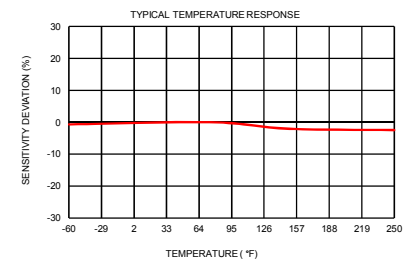
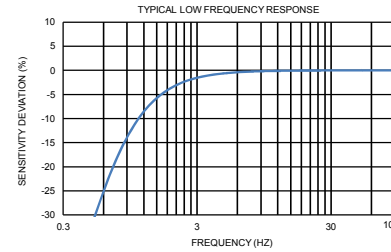
Refer to the performance specifications of the products in this family for detailed description

**Supplied Accessories:**

- Accredited calibration certificate (ISO 17025)

**Notes:**

- Measured at 100Hz, 1 Grms per ISA RP 37.2.
- Measure using zero-based straight line method, % of F.S. or any lesser range.
- Do not apply power to this system without current limiting, 20 mA MAX. To do so will destroy the IC charge amplifier.
- In the interest of constant product improvement, we reserve the right to change specifications without notice.



Units on the line drawing are in inches, units in brackets are in millimeters. Refer to 127-3089A for more information.

