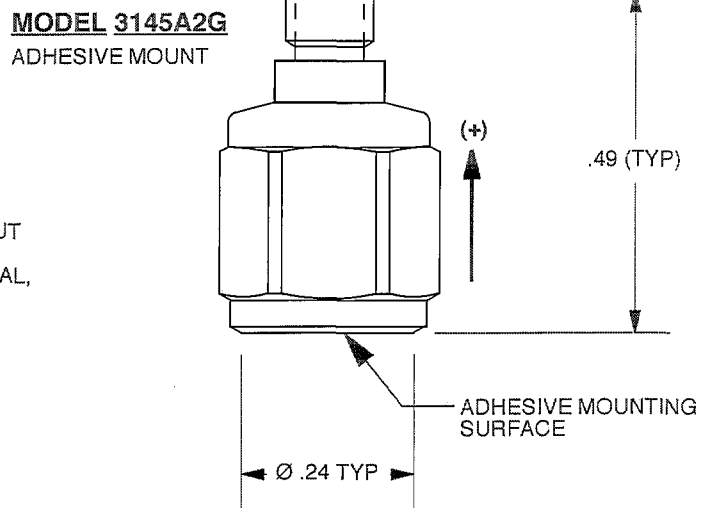
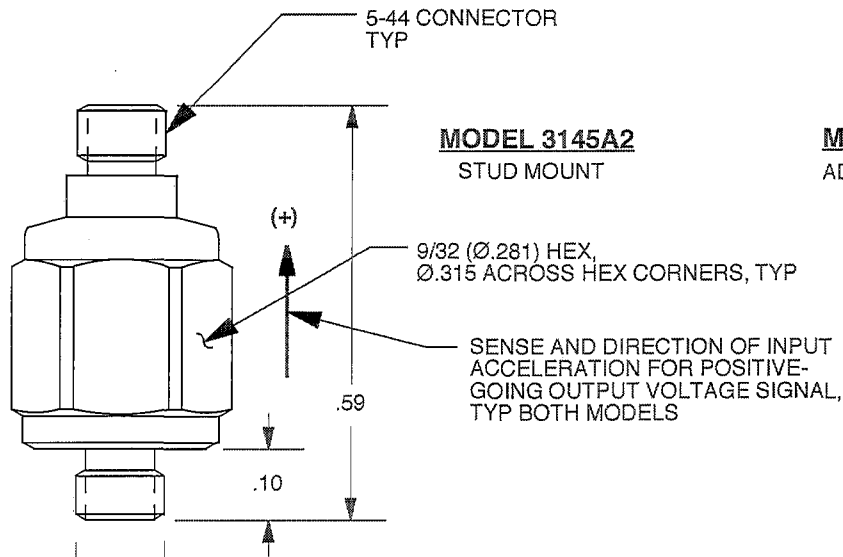
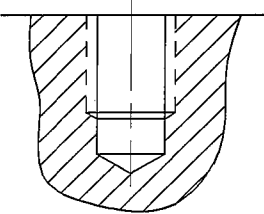


REV	ECN	DESCRIPTION	BY/DATE	CHK	APPR
A	10271	MATERIAL IS: 304L STAINLESS STEEL WAS: TITANIUM ALLOY	RLA 8/16/13	MH	AS



THD 5-40, UNC-2A



MOUNTING PORT PREPARATION:
 DRILL #38 (Ø.101) X .200 MIN DEPTH
 TAP 5-40 X .140 MIN DEPTH THD

5. SUGGESTED ADHESIVE TYPE FOR MODEL 3145A2G-CYANOACRYLATE "INSTANT" BOND.
4. TO INSTALL MOD 3145A2, TORQUE IN PLACE WITH 10 LB.-INCHES.
3. WEIGHT-MOD 3145A2-2.3 GRAMS., MOD 3145A2G-2.1 GRAMS
2. SEAL-HERMETIC, ALL WELDED.
1. MATERIAL: 304L STAINLESS STEEL

EXCEPT AS OTHERWISE NOTED

ALL DIMENSIONS IN INCHES
 TOLERANCE: .XXX = ± .XX = ± .01

SURFACE FINISH EXCEPT AS NOTED ✓

BREAK EDGES TO DEBURR RADIUS OR CHAMFER

△ THESE DIAS ⊙ TO T.I.R.

FILLETS - MAX RAD.

		MASTER ONLY IF IN RED		CHATSWORTH, CA.	
SCALE	4X	REV	-	DATE	SEE REV BLK
DATE	3/24/03	PART NO.			
DRAWN	N.C.	CHECKED	R.A.	MAT'L	
APPROVED	N.C.	3/24/03	NEXT ASSEMBLY	USED ON	3145A2 & 3145A2G
TITLE				DWG NO.	
OUTLINE/INSTALLATION DRAWING MODELS 3145A2 & 3145A2G				127-3145A2	
				SHEET 1 OF 1	

Model Number 3145A2	PERFORMANCE SPECIFICATIONS	DOC NO PS3145A2
IEPE ACCELEROMETER		REV D, ECN 14478, 09/11/18



- MINIATURE DESIGN
- HERMETICALLY SEALED

PHYSICAL

	ENGLISH		SI	
Weight	0.08	oz	2.30	grams
Connector	5-44 Coaxial		5-44 Coaxial	
Mounting Provision	Integral Stud 5-40 UNC-2A		Integral Stud 5-40 UNC-2A	
Material, Housing/Connector	300 Series S.S.		300 Series S.S.	
Sensing Element	Ceramic		Ceramic	
Element Style	Planar Shear		Planar Shear	

PERFORMANCE

Sensitivity, ±10% [1]	5	mV/g	0.51	mV/m/s ²
Range for ± 5 Volts Output	1,000	g	9810	m/s ²
Frequency Response, ± 5%	1 to 7,000	Hz	1 to 7,000	Hz
Frequency Response, ± 10%	0.8 to 10,000	Hz	0.8 to 10,000	Hz
Resonant Frequency	> 45	kHz	> 45	kHz
Equivalent Electrical Noise Floor	0.010	Grms	0.10	m/s ² rms
Linearity, [2]	±1	% F.S.	±1	% F.S.
Maximum Transverse Sensitivity	5	%	5	%
Strain Sensitivity @ 250µε	0.002	g/µε	0.02	m/s ² /µε

ENVIRONMENTAL

Maximum Vibration	1000	Gpeak	9810	m/s ² peak
Maximum Shock	3000	Gpeak	29430	m/s ² peak
Temperature Range	-60 to +250	°F	-51 to 121	°C
Seal	Hermetic		Hermetic	

ELECTRICAL

Supply Current Range [3]	2 to 20	mA	2 to 20	mA
Compliance Voltage Range	+18 to +30	Volts	+18 to +30	Volts
Output Impedance, Typ	150	Ω	150	Ω
Bias Voltage	+11 to +13	VDC	+11 to +13	VDC
Discharge Time Constant	0.5 to 2.0	Sec	0.5 to 2.0	Sec
Output Signal Polarity for Acceleration Toward Top	Positive		Positive	
Ground Isolation	Case Ground		Case Ground	

This family also includes:

Model	Sensitivity (mV/g)	Frequency Response (Hz)	Time Constant (Sec)	Operating Temp (°F)

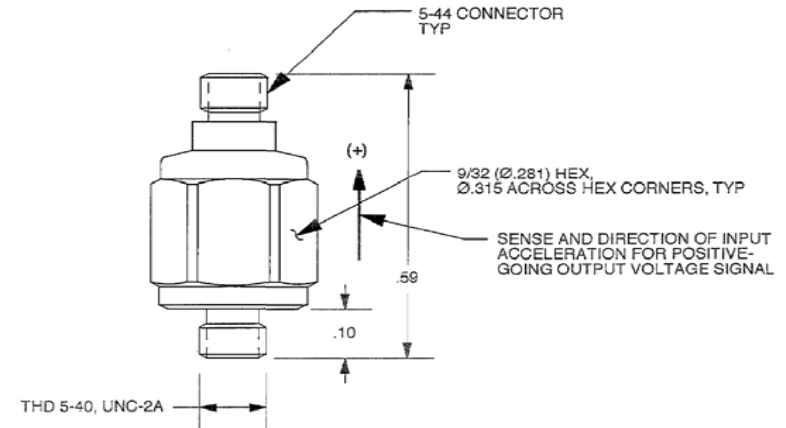
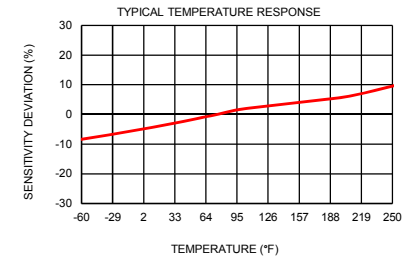
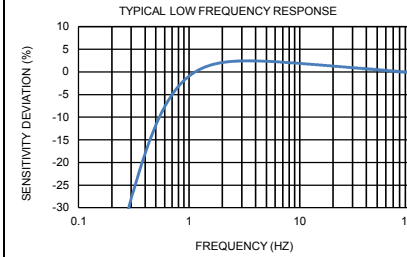
Refer to the performance specifications of the products in this family for detailed description

Supplied Accessories:

- 1) Accredited calibration certificate (ISO 17025)

Notes:

- [1] Measured at 100Hz, 1 Grms per ISA RP 37.2.
- [2] Measure using zero-based straight line method, % of F.S. or any lesser range.
- [3] Do not apply power to this system without current limiting, 20 mA MAX. To do so will destroy the IC charge amplifier.



Units on the line drawing are in inches, units in brackets are in millimeters. Refer to 127-3145A2 for more information.



21592 Marilla Street, Chatsworth, California 91311 Phone: 818.700.7818 Fax: 818.700.7880 www.dytran.com
For permission to reprint this content, please contact info@dytran.com