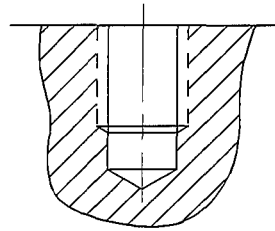
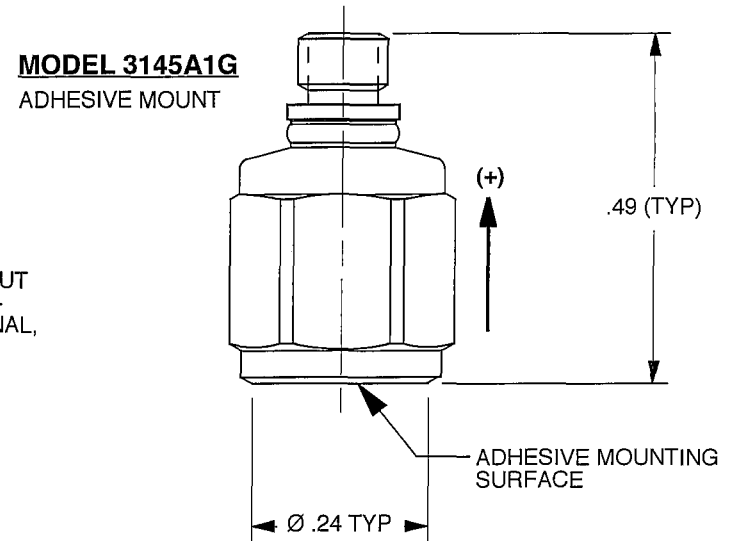
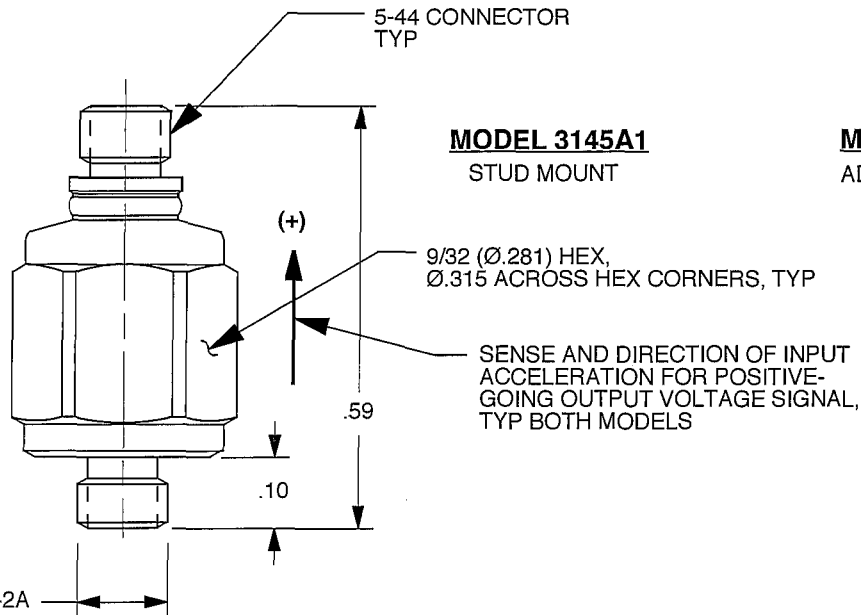


REV	ECN	DESCRIPTION	BY/DATE	CHK	APPR
A	10271	MATERIAL IS: 304L STAINLESS STEEL WAS: TITANIUM ALLOY	RLA 8/16/13	MH	AS



MOUNTING PORT PREPARATION:
DRILL #38 (Ø.101) X .200 MIN DEPTH
TAP 5-40 X .140 MIN DEPTH THD

5. SUGGESTED ADHESIVE TYPE FOR MODEL 3145A1G-CYANOACRYLATE "INSTANT" BOND.
4. TO INSTALL MOD 3145A1, TORQUE IN PLACE WITH 10 LB.-INCHES.
3. WEIGHT-MOD 3145A-2.3 GRAMS., MOD 3145AG-2.1 GRAMS
2. SEAL-HERMETIC, ALL WELDED.
1. MATERIAL: 304L STAINLESS STEEL

EXCEPT AS OTHERWISE NOTED	
ALL DIMENSIONS IN INCHES TOLERANCE: .XXX = ± .XX = ± .01	
SURFACE FINISH EXCEPT AS NOTED	✓
BREAK EDGES TO DEBURR RADIUS OR CHAMFER	
△ THESE DIAS ⊙ TO	T.I.R.
FILLETS -	MAX RAD.

		MASTER ONLY IF IN RED		CHATSWORTH, CA.	
SCALE	4X	REV	DATE	ECN	
DATE	6/5/00	SEE REV BLK			
DRAWN	N.C.	CHECKED	R.A.	MAT'L	
APPROVED	N.C.	4/4/05	NEXT ASSEMBLY	USED ON	3145A1 & 3145A1G
TITLE				DWG NO.	
OUTLINE/INSTALLATION DRAWING MODELS 3145A1 & 3145A1G				127-3145A1	
				SHEET 1 OF 1	

IEPE ACCELEROMETER

REV C, ECN 14478, 09/11/18



- MINIATURE DESIGN
- HERMETICALLY SEALED

PHYSICAL

Weight
Connector
Mounting Provision
Material, Housing/Connector
Sensing Element
Element Style

ENGLISH		SI	
0.07	oz	2.1	grams
5-44 Coaxial		5-44 Coaxial	
Adhesive		Adhesive	
300 Series S.S.		300 Series S.S.	
Ceramic		Ceramic	
Crystal Shear Mode		Crystal Shear Mode	

PERFORMANCE

Sensitivity, ±10% [1]
Range for ± 5 Volts Output
Frequency Response, ± 5%
Frequency Response, ± 10%
Resonant Frequency
Equivalent Electrical Noise Floor
Linearity, [2]
Maximum Transverse Sensitivity
Strain Sensitivity @ 250µε

10	mV/g	1.02	mV/m/s ²
500	g	4905	m/s ²
1 to 7,000	Hz	1 to 7,000	Hz
0.8 to 10,000	Hz	0.8 to 10,000	Hz
> 45	kHz	> 45	kHz
0.004	Grms	0.04	m/s ² rms
±1	% F.S.	±1	% F.S.
5	%	5	%
0.002	g/µε	0.02	m/s ² /µε

ENVIRONMENTAL

Maximum Vibration
Maximum Shock
Temperature Range
Seal

600	G _{peak}	5886	m/s ² peak
3000	G _{peak}	29430	m/s ² peak
-60 to +250	°F	-51 to 121	°C
Hermetic		Hermetic	

ELECTRICAL

Supply Current Range [3]
Compliance Voltage Range
Output Impedance, Typ
Bias Voltage
Discharge Time Constant
Output Signal Polarity for Acceleration Toward Top
Ground Isolation

2 to 20	mA	2 to 20	mA
+18 to +30	Volts	+18 to +30	Volts
100	Ω	100	Ω
+11 to +13	VDC	+11 to +13	VDC
0.5 to 2.0	Sec	0.5 to 2.0	Sec
Positive		Positive	
Case Ground		Case Ground	

This family also includes:

Model	Sensitivity (mV/g)	Frequency Response (Hz)	Time Constant (Sec)	Operating Temp (°F)

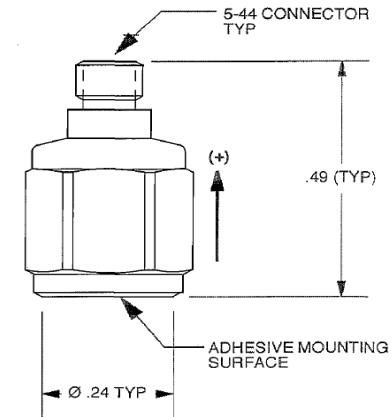
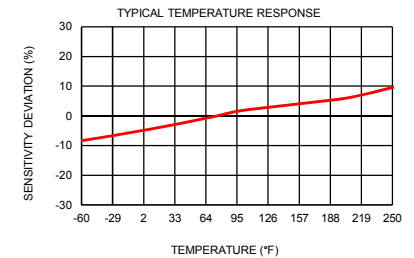
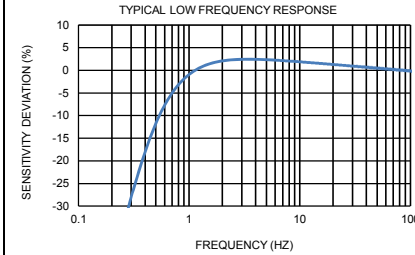
Refer to the performance specifications of the products in this family for detailed description

Supplied Accessories:

- 1) Accredited calibration certificate (ISO 17025)

Notes:

- [1] Measured at 100Hz, 1 Grms per ISA RP 37.2.
- [2] Measure using zero-based straight line method, % of F.S. or any lesser range.
- [3] Do not apply power to this system without current limiting, 20 mA MAX. To do so will destroy the IC charge amplifier.



Units on the line drawing are in inches, units in brackets are in millimeters. Refer to 127-3145A1 for more information.

