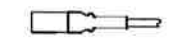
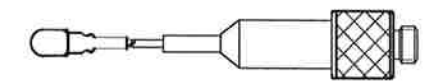
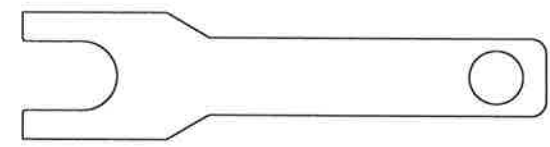
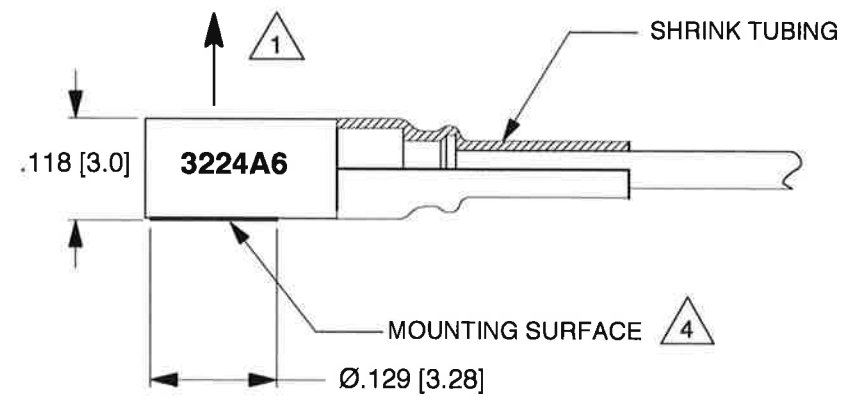
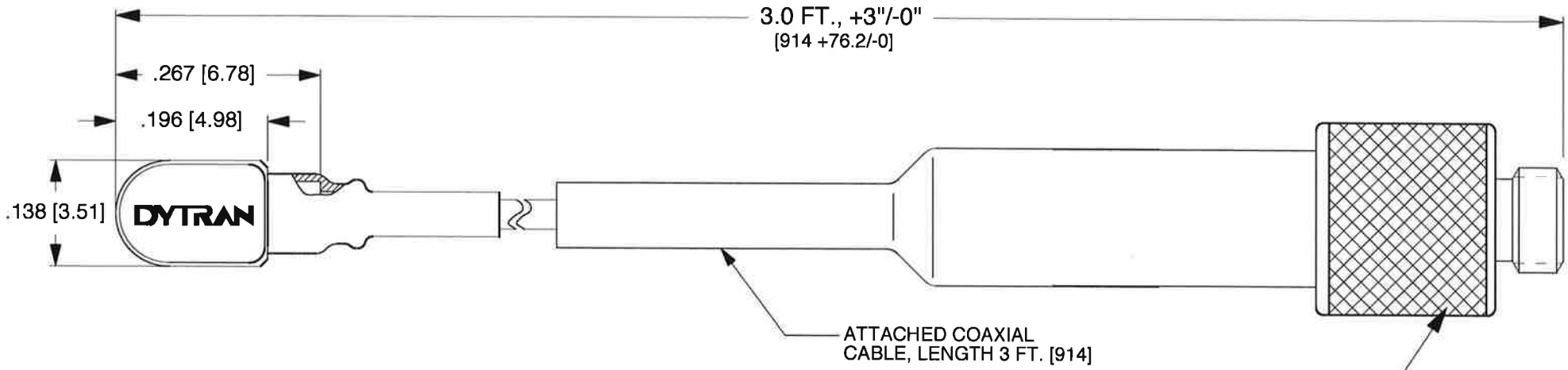


REV	ECN	DESCRIPTION	BY/DATE	CHK	APPR
A	11380	INITIAL RELEASE	JS 10/14/14	<i>JV</i>	<i>RT</i>



- △ 4 APPLY ADHESIVE TO THIS SURFACE TO MOUNT.
- 3. CASE AND CONNECTOR MATERIAL: TITANIUM.
- 2. WEIGHT LESS CABLE: 0.2 GRAMS.
- △ 1 ARROW INDICATES SENSE AND DIRECTION OF INPUT ACCELERATION FOR POSITIVE GOING OUTPUT SIGNAL.

UNLESS OTHERWISE SPECIFIED:
DIMENSIONS ARE IN INCHES
DIMENSIONS IN BRACKETS [] ARE IN MILLIMETERS.
TOLERANCES ARE:

INCHES	METRIC	ANGLES
.XX ±.03	.X ±0.8	±1°
.XXX ±.005	.XX ±0.25	

MASTER ONLY IF IN RED

CHATSORTH, CA.

SCALE 5X	DESIGN N.C.	DATE 12/12/12		
DRAWN LN	DATE 09/17/14	PART NO. MODEL 3224A6		
CHECKED <i>JV</i>	DATE 10/22/14	MAT'L		REV A
APPROVED <i>RT</i>	DATE 10/22/14	NEXT ASSEMBLY	USED ON	
TITLE OUTLINE/INSTALLATION DRAWING, MODEL 3224A6			DWG NO. 127-3224A6	
SHEET 1 OF 1				

MODEL NUMBER 3224A6	PERFORMANCE SPECIFICATION	DOC NO. PS3224A6
	IEPE ACCELEROMETER	REV F, ECN 13890, 12/04/17



- MINIATURE SIZE
- EPOXY SEALED CABLE CONNECTION

PHYSICAL

Weight, Less Cable
Mounting Provision
Connector [2]
Case Material
Sensing Element

ENGLISH		SI
0.007	oz	0.2
[1]		[1]
Integral cable		Integral cable
Titanium		Titanium
Planar Shear Quartz		Planar Shear Quartz

PERFORMANCE

Sensitivity, ±25% [3] [4]
Range F.S. For ± 5 Volts Output
Frequency Response, ±10%
Resonant Frequency
Equivalent Electrical Noise Floor
Amplitude Non-Linearity [5]
Transverse Sensitivity, Max.
Strain Sensitivity @250µε

0.2	mV/g	0.020	mV/m/s ²
20,000	g	196200	m/s ²
1.2 to 20,000	Hz	1.2 to 20,000	Hz
>95	kHz	>95	kHz
0.3	g rms	2.94	m/s ² rms
± 1 %	%F.S	± 1 %	%F.S
5%		5%	
0.14	g/µε	1.37	m/s ² /µε

ENVIRONMENTAL

Maximum Vibration
Maximum Shock
Temperature Range
Seal
Magnetic Sensitivity at 100 Gauss

25,000	grms	245000	m/s ² rms
22,000	±gpk	215600	± m/s ² pk
-60 to +300	°F	-51 to 149	°C
Laser Welded, Epoxy sealed Cable		Laser Welded, Epoxy sealed Cable	
0.000009	g/Gauss	0.8829	m/s ² /T

ELECTRICAL

Supply Current [6]
Compliance Voltage Range
Output Impedance TYP
Bias Voltage
Discharge Time Constant
Output Signal Polarity for Acceleration Toward Top
Case Grounding

2 to 20	mA	2 to 20	mA
18 to +30	V	18 to +30	V
100	Ω	100	Ω
+7 to +9	VDC	+7 to +9	VDC
2.0 to 4.0	sec	2.0 to 4.0	sec
Positive		Positive	
[7]		[7]	

This family also includes:

Model	Sensitivity (mV/g)	Range (Gpeak)	Resolution (Grms)	Oper. Temp(°F)	TC (sec)
3224A1	9 to 14	500	0.023	-60 to 300	0.9 to 1.5
3224A2	2 to 5	2500	0.03	-60 to 300	0.3 to 1.0
3224A3	5 to 10	1000	0.037	-60 to 300	1.1 to 1.5
3224A4	1 to 2.5	5000	0.08	-60 to 300	0.3 to 1.0
3224A5	9 to 14	500	0.023	-60 to 300	1.1 to 1.5

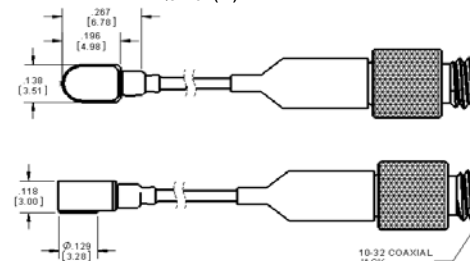
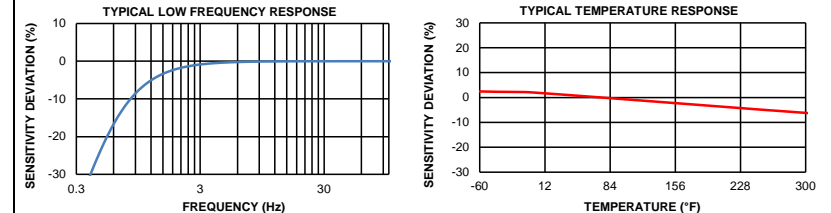
Refer to the performance specifications of the products in this family for detailed description.

Supplied Accessories:

- 1) Model 6725 installation removal wrench.
- 2) Sample of " Small Petro Mounting Wax".
- 3) Accredited calibration certificate (ISO 17025)

Notes:

- [1] Flat mounting surface for adhesive mount.
- [2] 10-32 Jack at end of integral 3FT.cable
- [3] Measured at 100 Hz, 1 g rms per ISA RP 37.2.
- [4] Actual sensitivity is given on a calibration certificate traceable to ISO 17025, supplied with each instrument
- [5] Measured using zero-based best straight-line method.
- [6] Do not apply power to this device without current limiting, 20 mA MAX. To do so will destroy the integral IC amplifier.
- [7] Case is grounded to electrical signal/power ground.



Units on the line drawing are in inches, units in brackets are in millimeters. Refer to 127-3224A6 for more information.



21592 Marilla Street, Chatsworth, California 91311 Phone: 818.700.7818 Fax:818.700.7880 www.dytran.com For permission to reprint this content, please contact info@dytran.com