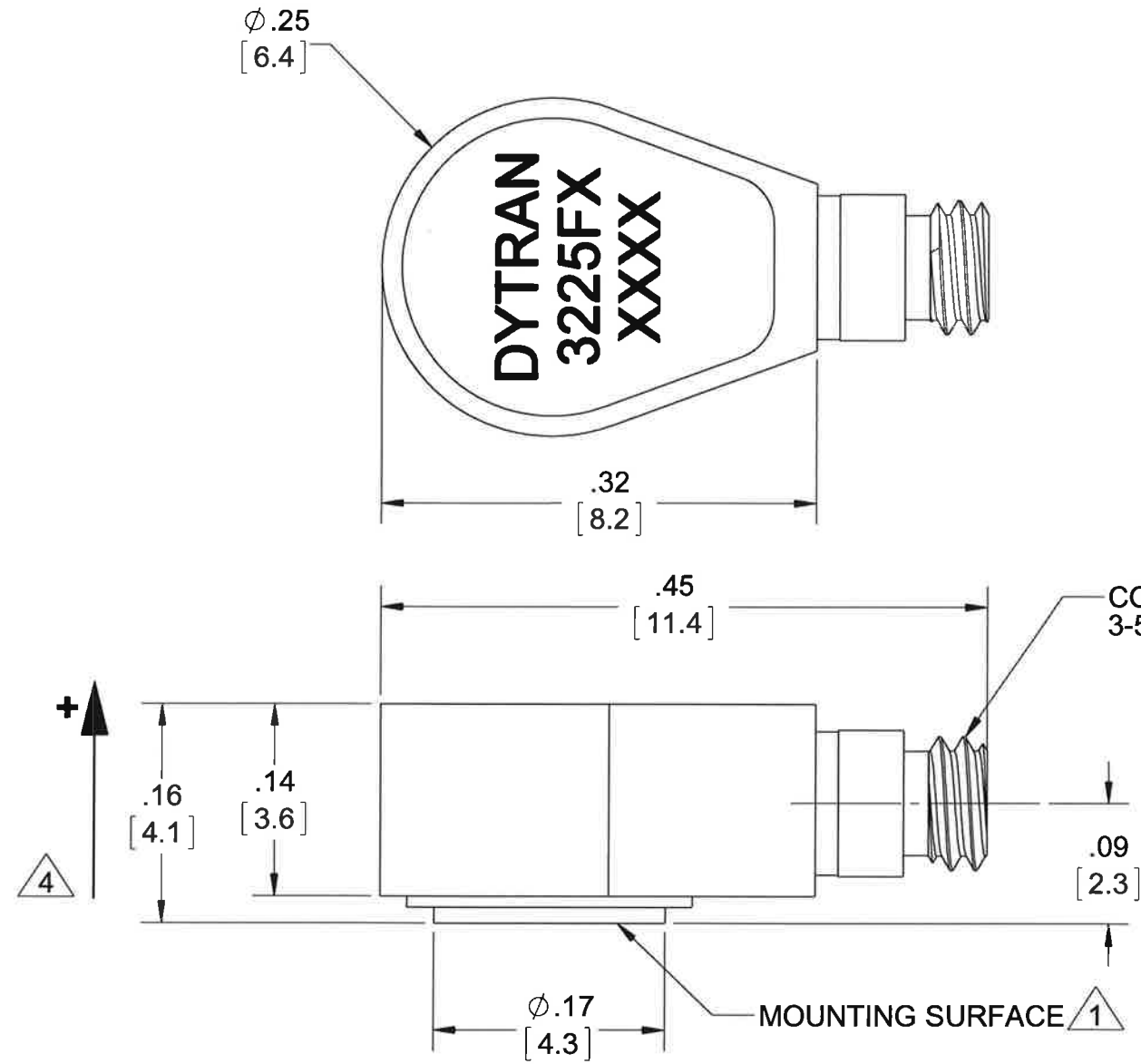


PROPRIETARY AND CONFIDENTIAL

THE INFORMATION CONTAINED IN THIS DRAWING IS THE SOLE PROPERTY OF DYTRAN INSTRUMENTS INC. ANY REPRODUCTION IN PART OR AS A WHOLE WITHOUT THE WRITTEN PERMISSION OF DYTRAN INSTRUMENTS INC. IS PROHIBITED

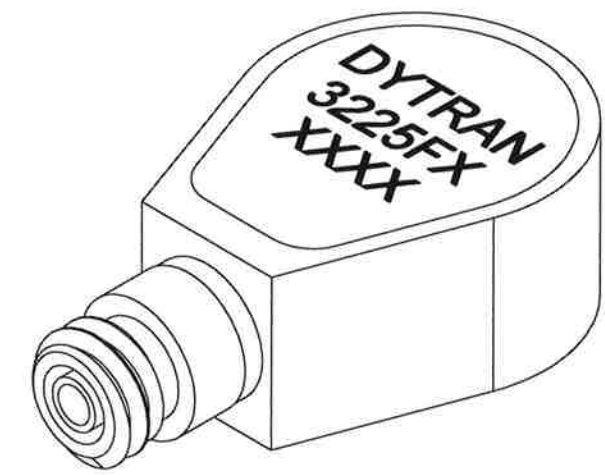
REVISIONS

REV.	ECN	DESCRIPTION	BY/DATE	CHK	APPR
A	11357	INITIAL RELEASE	JS 10/01/14	EM	[Signature]



CONNECTOR, COAXIAL
3-56 UNF-2A

MOUNTING SURFACE 1



MODEL NO.	REV	ECN	DATE	SENSITIVITY
3225F4	A	11357	09/11/14	1 mV/g
3225F5	A	11357	09/11/14	10 mV/g
3225F6	A	11357	09/11/14	5 mV/g

5. LOW OUT-GASSING

4 ARROW INDICATES DIRECTION OF ACCELERATION FOR POSITIVE OUTPUT

3. CASE AND CONNECTOR MATERIAL: TITANIUM.

2. WEIGHT: 0.6 GRAMS MAX.

1 RECOMMENDED MOUNTING ADHESIVE: CYANOACRYLATE OR DYTRAN MOUNTING WAX MODEL 6273

NOTES: UNLESS OTHERWISE SPECIFIED

UNLESS OTHERWISE SPECIFIED:
 INTERPRET DIM & TOL PER ASME Y14.5M - 1994.
 REMOVE BURRS.
 COUNTERSINK INTERNAL THDS 90° TO MAJOR DIA.
 CHAM EXT THDS 45° TO MINOR DIA.
 THD LENGTHS AND DEPTHS ARE FOR MIN FULL THDS.
 DIMENSIONS APPLY AFTER FINISHING.

ALL MACHINED SURFACES. ^{63/}
 TOTAL RUNOUT WITHIN .005.
 BREAK SHARP EDGES .005 TO .010.
 MACHINED FILLET RADII .005 TO .015.
 WELDING SYMBOLS PER AWS A2.4.
 ABBREVIATIONS PER MIL-STD-12.

UNLESS OTHERWISE SPECIFIED:
 DIMENSIONS ARE IN INCHES.
 DIMENSIONS IN BRACKETS [] ARE IN MILLIMETERS TOLERANCES ARE:

DECIMALS	METRIC	ANGLES
.XX ±.03	.X ± 0.8	± 1°
.XXX ±.010	.XX ± 0.25	

APPROVALS		DATE
ORIG	EC	09/03/14
CHK	EM	10/3/14
APP	[Signature]	10/3/14

DO NOT SCALE DRAWING

THIRD ANGLE PROJECTION

MASTER
 ONLY IF IN RED
 DYTRAN INSTRUMENTS, INC. Chatsworth, CA

TITLE:
**OUTLINE/INSTALLATION
 DRAWING, MODEL 3225F4**

SIZE B	CAGE CODE 2W033	DWG NO 127-3225F4	REV A
------------------	---------------------------	-----------------------------	-----------------

SCALE: 8:1 SHEET 1 OF 1

MODEL NUMBER 3225F4	PERFORMANCE SPECIFICATION	DOC NO. PS3225F4
	ACCELEROMETER, IEPE	REV D, ECN 13008, 10/26/16



- MINIATURE SIZE
- 3-56 CONNECTOR
- LOW OUT-GASSING

PHYSICAL

Weight, Max
Mounting Provision
Connector [2]
Case Material
Sensing Element

Material
Mode

Radially Mounted

	ENGLISH		SI	
Weight, Max	0.02	oz	0.60	grams
Mounting Provision	[1]		[1]	
Connector [2]	3-56		3-56	
Case Material	Titanium		Titanium	
Sensing Element	Quartz		Quartz	
Material	Shear		Shear	
Mode				

PERFORMANCE

Sensitivity, ± 10% [3]
Range F.S For ± 5 Volts Out
Frequency Response, +/- 5%
+/- 10%
Mounted Resonant Frequency
Amplitude Non-Linearity [4]
Transverse Sensitivity, Max
Noise Resolution
Strain Sensitivity @250/µε
Spectral Noise

1 Hz
10 Hz
100 Hz
1000 Hz
10000 Hz

	ENGLISH		SI	
Sensitivity, ± 10% [3]	1	mV/g	0.10	mV/m/s ²
Range F.S For ± 5 Volts Out	± 5000	g's	± 49050	m/s ²
Frequency Response, +/- 5%	1.4 to 5000	Hz	1.4 to 5000	Hz
+/- 10%	1.0 to 10000	Hz	1.0 to 10000	Hz
Mounted Resonant Frequency	> 60	kHz	> 60	kHz
Amplitude Non-Linearity [4]	1	% F.S	1	% F.S
Transverse Sensitivity, Max	5	%	5	%
Noise Resolution	0.070	grms	0.69	m/s ² rms
Strain Sensitivity @250/µε	0.0005	g/µε	0.0049	m/s ² /µε
Spectral Noise				
1 Hz	4600	µGrms/sqr(Hz)	45126	µGrms/s ² rms/sqr(Hz)
10 Hz	7000	µGrms/sqr(Hz)	68670	µGrms/s ² rms/sqr(Hz)
100 Hz	1400	µGrms/sqr(Hz)	13734	µGrms/s ² rms/sqr(Hz)
1000 Hz	690	µGrms/sqr(Hz)	6769	µGrms/s ² rms/sqr(Hz)
10000 Hz	420	µGrms/sqr(Hz)	4120	µGrms/s ² rms/sqr(Hz)

ENVIRONMENTAL

Maximum Vibration
Maximum Shock
Temperature Range
Magnetic Sensitivity at 100 Gauss
Environmental Seal

	ENGLISH		SI	
Maximum Vibration	6000	Grms	58860	m/s ² rms
Maximum Shock	10000	Gpeak	98100	m/s ² peak
Temperature Range	-60 to +250	°F	-51 to +121	°C
Magnetic Sensitivity at 100 Gauss	0.00005	g/Gauss	0.00049	m/s ² /Gauss
Environmental Seal	Hermetic		Hermetic	

ELECTRICAL

Supply Current/Compliance Voltage Range [5]
Output Impedance, TYP
Bias Voltage
Discharge Time Constant

	ENGLISH		SI	
Supply Current/Compliance Voltage Range [5]	2 to 20/+18 to +30	mA/Volts	2 to 20/+18 to +30	mA/Volts
Output Impedance, TYP	100	Ω	100	Ω
Bias Voltage	+7 to +9	VDC	+7 to +9	VDC
Discharge Time Constant	0.35 to 1.0	Sec	0.35 to 1.0	Sec

This family also includes:

Model	Sensitivity (mV/g)	Range (g's)	Resolution (Grms)	Oper. Temp (°F)	TC
3225F5	10	500	0.007	-60 to +250	0.35 to 1.0
3225F6	5	1000	0.014	-60 to +250	0.35 to 1.0

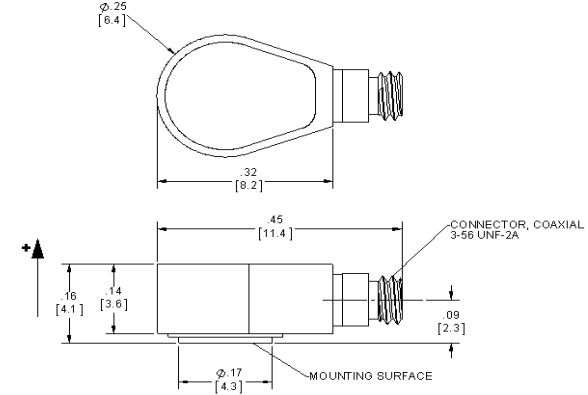
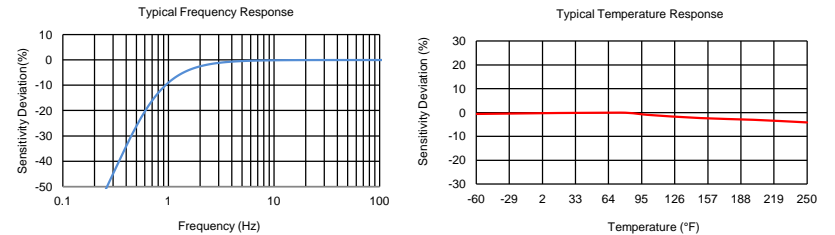
Refer to the performance specifications of the products in this family for detailed description.

Supplied Accessories

- 1) Model 6591A installation wrench
- 2) Model 6298 small petro mounting wax
- 3) Accredited calibration certificate (ISO 17025)

Notes:

- [1] Flat mounting surface for adhesive mount.
- [2] Mates with Dytran cable 6003AAX or 6003BXX (XX is cable length in feet)
- [3] Measured at 100 Hz, 1 grms per ISA RP 37.2.
- [4] Percent of full scale or any lesser range, zero based best-fit straight line method.
- [5] Do not apply power to this device without current limiting, 20mA max, to do so will destroy the integral IC amplifier
- [6] In the interest of constant product improvement, we reserve the right to change specifications without notice.



Units on the line drawing are in inches, units in brackets are in millimeters. Refer to 127-3225F4 for more information.



21592 Marilla Street, Chatsworth, California 91311 Phone: 818.700.7818 Fax: 818.700.7880 www.dytran.com For permission to reprint this content, please contact info@dytran.com