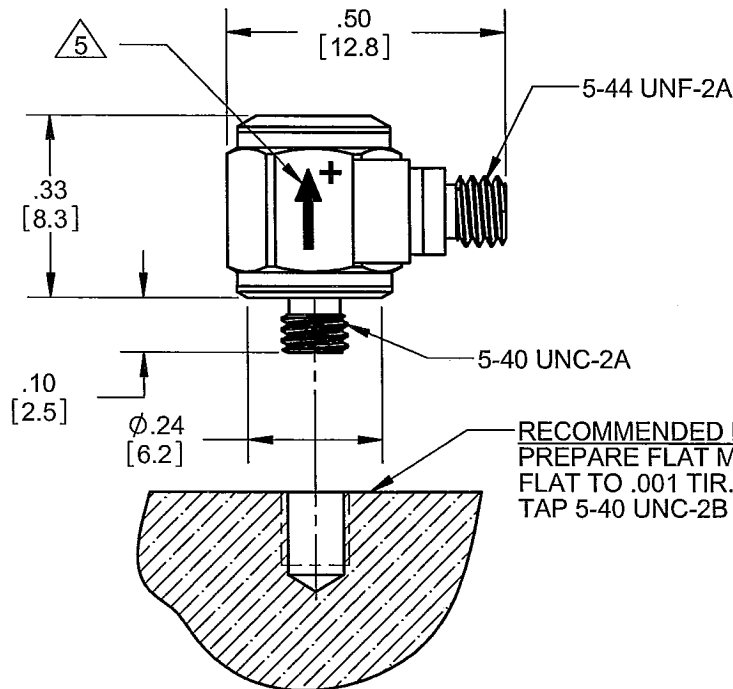
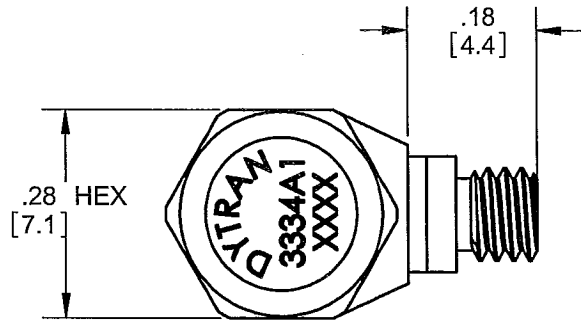


PROPRIETARY AND CONFIDENTIAL

THE INFORMATION CONTAINED IN THIS DRAWING IS THE SOLE PROPERTY OF DYTRAN INSTRUMENTS INC. ANY REPRODUCTION IN PART OR AS A WHOLE WITHOUT THE WRITTEN PERMISSION OF DYTRAN INSTRUMENTS INC. IS PROHIBITED

REVISIONS

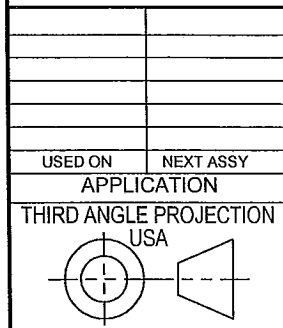
REV	ECN	DESCRIPTION	BY/DATE	CHK	APPR
A	8134	INITIAL RELEASE	LN 12/22/11	JS	DV
B	10211	TEMPERATURE WAS: -60 °F TO +250 °F (-51 °C TO -121 °C)	AB 07/26/13	LN	AB



RECOMMENDED MOUNTING PREPARATION:
PREPARE FLAT MOUNTING SURFACE, $\phi .25 [6.4]$ MIN.
FLAT TO .001 TIR.
TAP 5-40 UNC-2B X .125 [3.2] ∇ , MIN.

5 ARROW INDICATES SENSE AND DIRECTION FOR POSITIVE OUTPUT

- 4. TEMPERATURE RANGE : -320 °F TO +250 °F (-196 °C TO 121 °C)
- 3. MOUNTING TORQUE: 3-4 Lb-in.
- 2. SENSITIVITY: 10 mV/G \pm 10%.
- 1. WEIGHT: 2.0 GRAMS, MAX.



UNLESS OTHERWISE SPECIFIED:
INTERPRET DIM & TOL PER
ASME Y14.5M - 1994.
REMOVE BURRS.
COUNTERSINK INTERNAL THDS
90° TO MAJOR DIA.
CHAM EXT THDS 45° TO MINOR DIA.
THD LENGTHS AND DEPTHS ARE FOR
MIN FULL THDS.
THDS PER MIL-S-7742.
DIMENSIONS APPLY AFTER FINISHING.

ALL MACHINED SURFACES. \checkmark
TOTAL RUNOUT WITHIN .005.
BREAK SHARP EDGES .005 TO .010.
MACHINED FILLET RADII .005 TO .015.
WELDING SYMBOLS PER AWS A2.4.
ABBREVIATIONS PER MIL-STD-12.

UNLESS OTHERWISE SPECIFIED:
DIMENSIONS ARE IN INCHES.
DIMENSIONS IN BRACKETS []
ARE IN MILLIMETERS
TOLERANCES ARE:
INCHES METRIC ANGLES
.XX \pm .03 .X \pm 0.8 \pm 1°
.XXX \pm .010 .XX \pm 0.25

MATERIAL

FINISH

DO NOT SCALE DRAWING

CONTRACT NO.

APPROVALS		DATE
ORIG	LN	12/12/11
CHK	JS	12/27/11
APP	DV	12/29/11
APP		

DYTRAN
INSTRUMENTS, INC.
Chatsworth, CA

MASTER ONLY IF IN RED

TITLE:
**OUTLINE/INSTALLATION
DRAWING, MODEL 3334A1**

SIZE A	CAGE CODE 2W033	DWG. NO. 127-3334A1	REV B
------------------	---------------------------	-------------------------------	-----------------

SCALE: NONE SOLIDWORKS SHEET 1 OF 1

	IEPE ACCELEROMETER, SINGLE AXIS	REV E, ECN 12997, 10/13/16
--	--	----------------------------



- MINIATURE SIZE
- HERMETICALLY SEALED

PHYSICAL

Weight
 Connector
 Mounting Provision
 Material, Housing/Connector
 Sensing Element

ENGLISH		SI	
0.07	oz	2.0	grams
5-44 UNF-2A		5-44 UNF-2A	
5-40 UNC-2A		5-40 UNC-2A	
Titanium		Titanium	
Quartz		Quartz	

PERFORMANCE

Sensitivity, ±10% [1]
 Frequency Range, ± 5%
 Resonant Frequency
 Equivalent Electrical Noise Floor
 Linearity [2]
 Maximum Transverse sensitivity
 Strain Sensitivity @ 250µε

10	mV/g	1	mV/m/s ²
1 to 10000	Hz	1 to 10000	Hz
> 45	kHz	> 45	kHz
0.007	Grms/v(Hz)	0.07	m/s ² rms/v(Hz)
±1	% F.S.	±1	% F.S.
5	%	5	%
0.002	g/µε	0.02	m/s ² /µε

ENVIRONMENTAL

Maximum Vibration
 Maximum Shock
 Temperature Range
 Coefficient of Thermal Sensitivity
 Seal

600	Gpeak	5886	m/s ² peak
3000	Gpeak	29430	m/s ² peak
-320 to +250	°F	-196 to 121	°C
0.04	%/°F	0.07	%/°C
Hermetic		Hermetic	

ELECTRICAL

Supply Current Range [3]
 Compliance Voltage Range
 Output Impedence, Typ
 Bias Voltage
 Discharge Time Constant
 Electrical Isolation

2 to 20	mA	2 to 20	mA
+18 to +30	Volts	+18 to +30	Volts
100	Ω	100	Ω
+7.0 to +9.0	VDC	+7.0 to +9.0	VDC
0.3 to 1.5	Sec	0.3 to 1.5	Sec
Case Grounded		Case Grounded	

This family also includes:

Model	Sensitivity (mV/g)	Frequency Response (Hz)	Time Constant (Sec)	Operating Temp (°F)

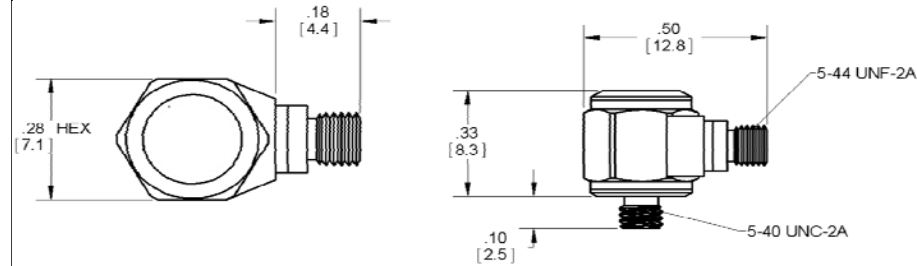
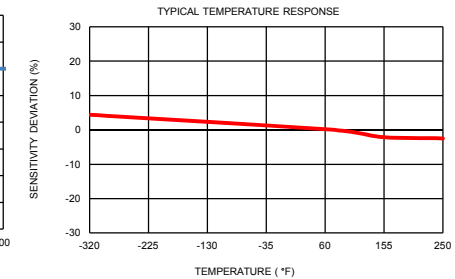
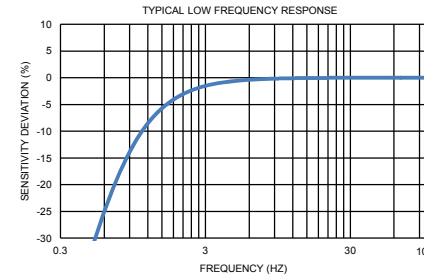
Refer to the performance specifications of the products in this family for detailed description

Supplied Accessories:

- 1) Accredited calibration certificate (ISO 17025)

Notes:

- [1] Measured at 100Hz, 1 Grms per ISA RP 37.2.
- [2] Measured using zero-based straight line method, % of F.S. or any lesser range.
- [3] Do not apply power to this system without current limiting, 20 mA MAX. To do so will destroy the IC amplifier.
- [4] In the interest of constant product improvement, we reserve the right to change specifications without notice.



Units on the line drawing are in inches, units in brackets are in millimeters. Refer to 127-3334A1 for more information.

