

PROPRIETARY AND CONFIDENTIAL

THE INFORMATION CONTAINED IN THIS DRAWING IS THE SOLE PROPERTY OF DYTRAN INSTRUMENTS INC. ANY REPRODUCTION IN PART OR AS A WHOLE WITHOUT THE WRITTEN PERMISSION OF DYTRAN INSTRUMENTS INC. IS PROHIBITED

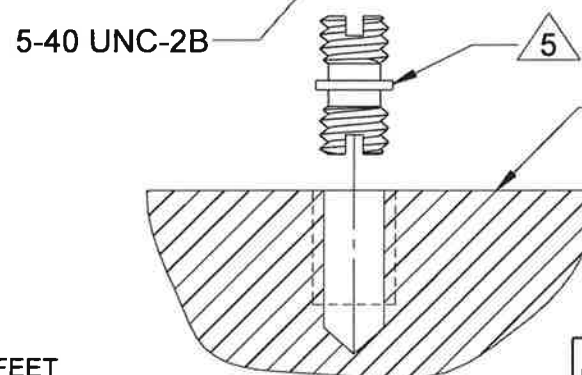
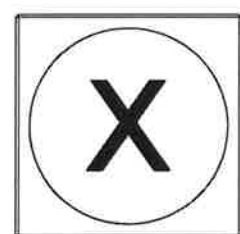
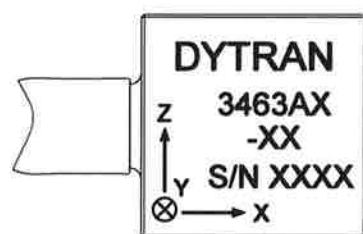
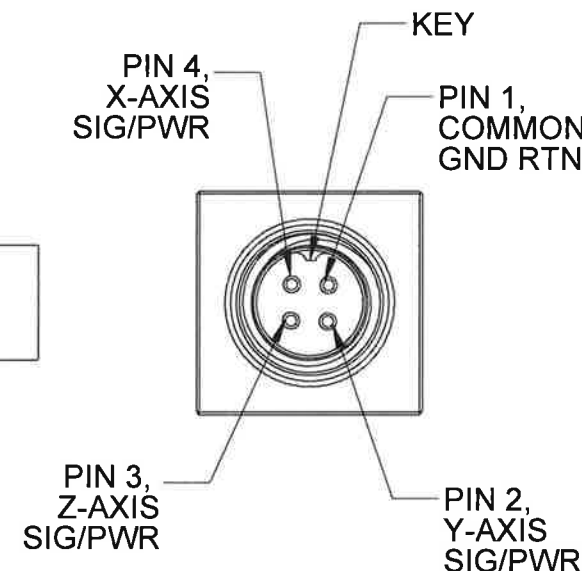
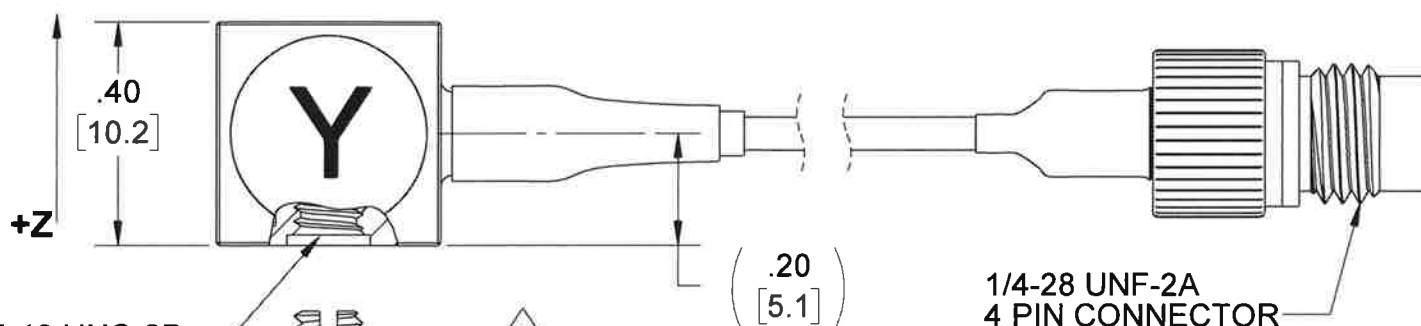
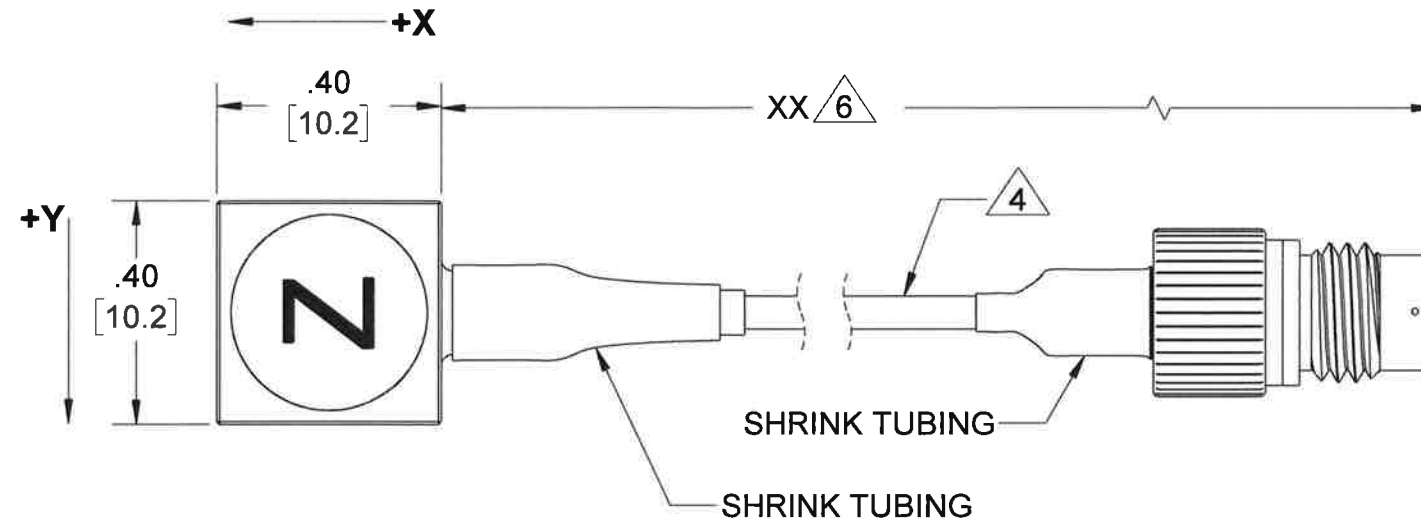
MODEL	SENSITIVITY
3463A1-XX	5 mV/g (±15%)
3463A2-XX	10 mV/g (±15%)

6 CABLE LENGTH TOLERANCE			
ENGLISH		[METRIC]	
≤1FT	+1/ -0 IN	≤0.3m	+25mm -0mm
>1 FT - 5 FT	+2/ -0 IN	.0.3 m-1.5m	+50mm -0mm
> 5 FT - 10 FT	+4/ -0 IN	>1.5m-3m	+100mm -0mm
>10 FT - 25FT	+6 / -0 IN	>3m-7.5m	+150mm -0mm
>25 FT	+5% / -0%	>7.5m	+5%/-0%

REVISIONS					
REV.	ECN	DESCRIPTION	BY/DATE	CHK	APPR
A	13293	INITIAL RELEASE SAME AS REV X3	LN 02/22/17	SP	AS

4 4-WIRE CABLE

WIRE	36 AWG, 7/44 SILVER PLATED COPPER
WIRE INSULATION	PFA, .006 NOMINAL WALL
SHIELD	44 AWG SILVER PLATED SOFT COPPER BRAID
JACKET	PFA, WHITE, .006 INCH NOMINAL WALL
DIAMETER	Ø .045 NOMINAL
TEMP	-196 TO +200 DEG C
VOLTAGE	150 VOLTS AC



RECOMMENDED MOUNTING PREPARATION:
 PREPARE A .40 x .40 [10.2 x 10.2] MOUNTING SURFACE, FLAT TO .001 TIR.
 TAP 5-40 UNC-2B ∇ .13 [3.3] MIN
 MOUNTING TORQUE: 4-6 Lb-in. [0.45 - 0.68 N-m]

6 MODEL NUMBER: 3463AX-XX. "-XX" DENOTES CABLE LENGTH IN FEET FOR EXAMPLE: 3463A2-03 IS A 10mV/g WITH 3FT CABLE. SEE TABLE FOR LENGTH TOLERANCE

5 MOUNTING STUD, MODEL 6580, 5-40 TO 5-40, SUPPLIED.

4 SEE TABLE FOR 4 WIRE CABLE SPECIFICATIONS.

3. ARROWS INDICATE DIRECTION OF ACCELERATION FOR POSITIVE OUTPUT.

2. HOUSING MATERIAL: TITANIUM ALLOY.

1. WEIGHT: 4.0 GRAMS MAX, LESS CABLE.

NOTES: UNLESS OTHERWISE SPECIFIED


UNLESS OTHERWISE SPECIFIED: INTERPRET DIM & TOL PER ASME Y14.5M - 1994. REMOVE BURRS. COUNTERSINK INTERNAL THDS 90° TO MAJOR DIA. CHAM EXT THDS 45° TO MINOR DIA. THD LENGTHS AND DEPTHS ARE FOR MIN FULL THDS. DIMENSIONS APPLY AFTER FINISHING.		UNLESS OTHERWISE SPECIFIED: DIMENSIONS ARE IN INCHES. DIMENSIONS IN BRACKETS [] ARE IN MILLIMETERS TOLERANCES ARE:	
DECIMALS	METRIC	ANGLES	
.XX ± .03	.X ± 0.8	± 1°	
.XXX ± .010	.XX ± 0.25		
APPROVALS		DATE	
ORIG	LN	10/24/16	
CHK	SP	2/22/17	
APP	AS	2/22/17	
DO NOT SCALE DRAWING		THIRD ANGLE PROJECTION	

MASTER COPY
 DYTRAN INSTRUMENTS INC. CHATTANOOGA, TN

TITLE: **OUTLINE/INSTALLATION DWG, 3463AX SERIES**

SIZE	CAGE CODE	DWG NO	REV
B	2W033	127-3463A1-XX	A

SCALE: 3:1 SHEET 1 OF 1



- **MINIATURE SIZE**
- **LOW NOISE**
- **EXCELLENT FREQUENCY RESPONSE**
- **HERMETICALLY SEALED**

		ENGLISH		SI	
PHYSICAL					
Weight, Max. (Less Cable)		0.14	oz	4.0	grams
Mounting		5-40 Tapped Hole		5-40 Tapped Hole	
Integral Cable	Type	TFE		TFE	
Connector	Type	4-pin		4-pin	
Housing	Material	Titanium		Titanium	
	Isolation	Case Ground		Case Ground	
Sensing Element	Material	Ceramic		Ceramic	
	Mode	Shear		Shear	
PERFORMANCE					
Sensitivity [1], ±15%		10	mV/g	1.0	mV/m/s ²
Acceleration Range		500	Gpeak	4905	m/s ² peak
Frequency Range	±5%	1 to 10,000		1 to 10,000	
Resonance Frequency		>30		>30	
Linearity [2]		±1		±1	
Transverse Sensitivity		<6		<6	
Bias Voltage		+11 to +13		+11 to +13	
Output Impedance		100		100	
Discharge Time Constant		0.2 to 1.0		0.2 to 1.0	
Noise floor		0.003		0.03	
Spectral Noise	1Hz	525	μGrms/sqr(Hz)	5150	μm/s ² rms/sqr(Hz)
	10Hz	170	μGrms/sqr(Hz)	1668	μm/s ² rms/sqr(Hz)
	100Hz	50	μGrms/sqr(Hz)	491	μm/s ² rms/sqr(Hz)
	1000Hz	35	μGrms/sqr(Hz)	343	μm/s ² rms/sqr(Hz)
	10000Hz	12	μGrms/sqr(Hz)	118	μm/s ² rms/sqr(Hz)
ENVIRONMENTAL					
Shock		3,000	Gpeak	29430	m/s ²
Vibration		900	Gpeak	8829	m/s ⁴
Operating Temperature		-55 to +225		-48 to 107	
Seal		Hermetic		Hermetic	
Magnetic Sensitivity at 100 Gauss		0.00004	g/Gauss	0.00039	m/s ² /Gauss
Base Strain Sensitivity, Max.		0.03	g/με	0.29	m/s ² /με
POWER					
Compliance Voltage		+18 to +30		+18 to +30	
Current Range [3]		2 to 20		2 to 20	

This family also includes:

Model	Sensitivity (mV/g)	Range (Gpeak)	Time Constant (Sec)	Operating Temp (°F)
3463A1-XX	5	1,000	0.2 to 1.0	-55 to +225
3463A3-XX	1	5,000	0.3 to 2.0	-67 to +250

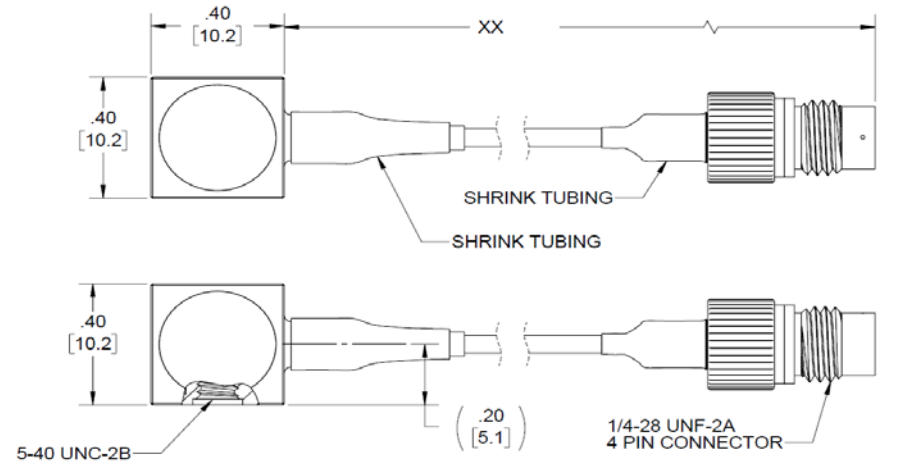
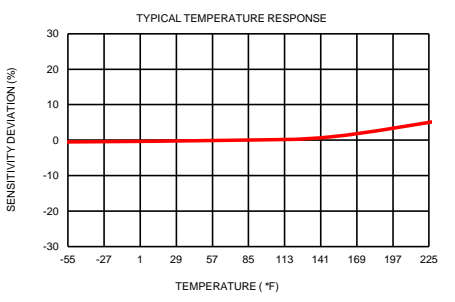
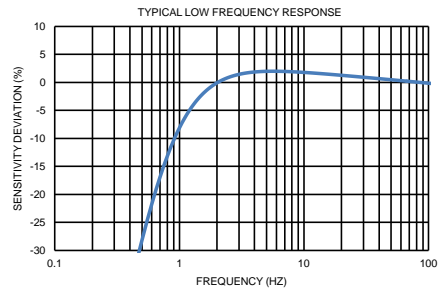
Refer to the performance specifications of the products in this family for detailed description

Supplied Accessories:

- 1) Accredited calibration certificate (ISO 17025)
- 2) Mounting stud, model 6580, 5-40 to 5-40, Qty. 1

Notes:

- [1] Measured at 100Hz, 1 Grms per ISA RP 37.2.
- [2] Measure using zero-based straight line method, % of F.S. or any lesser range.
- [3] Do not apply power to this system without current limiting, 20 mA MAX. To do so will destroy the IC charge amplifier.
- [4] In the interest of constant product improvement, we reserve the right to change specifications without notice.



Units on the line drawing are in inches, units in brackets are in millimeters. Refer to 127-3463A1-XX for more information.