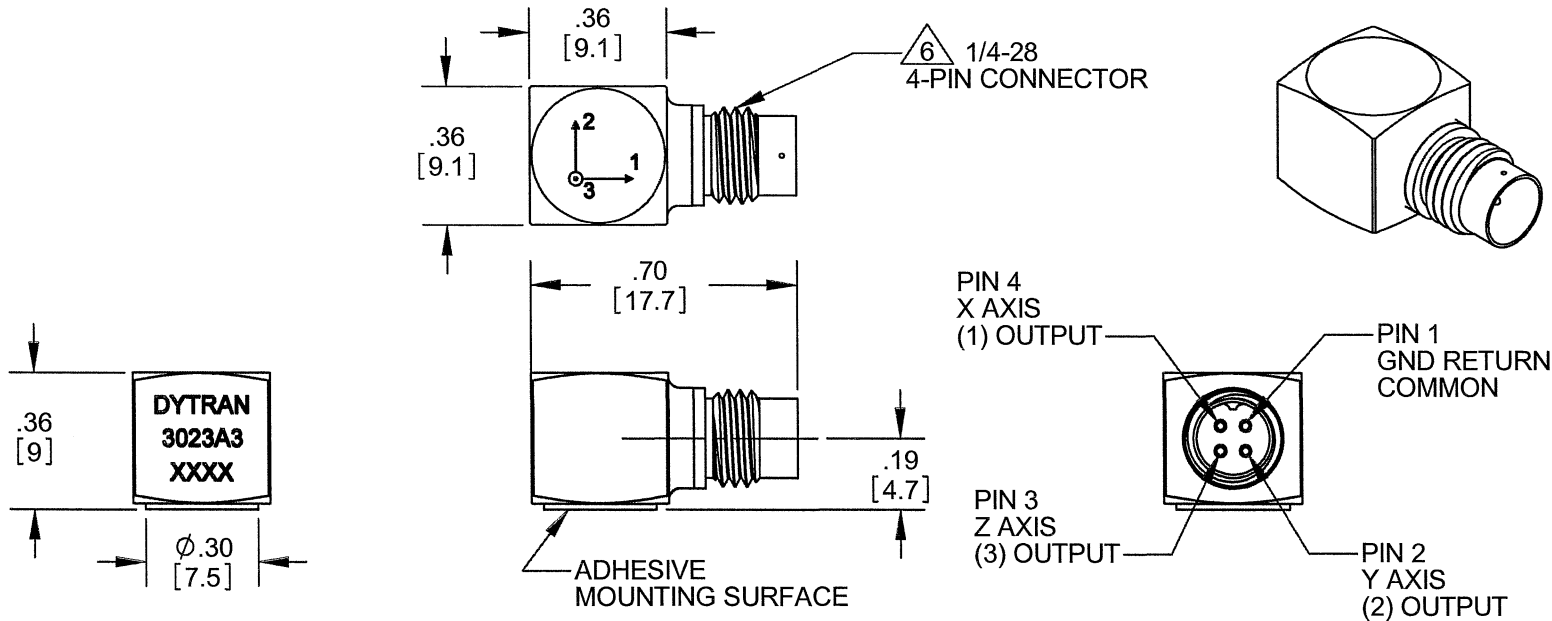


<b>PROPRIETARY AND CONFIDENTIAL</b>		REVISIONS					
THE INFORMATION CONTAINED IN THIS DRAWING IS THE SOLE PROPERTY OF DYTRAN INSTRUMENTS INC. ANY REPRODUCTION IN PART OR AS A WHOLE WITHOUT THE WRITTEN PERMISSION OF DYTRAN INSTRUMENTS INC. IS PROHIBITED		REV.	ECN	DESCRIPTION	BY/DATE	CHK	APPR
		A	6250	ADDED NOTE 5 & 6, REFORMATED	RA, 11/23/09	Er	JL



- △ 6 MATES WITH DYTRAN 6811AXX OR 6824AXX CABLE (XX=LENGTH IN FEET)
- OPERATIONAL TEMPERATURE: RANGE -60° TO +250°F
  - SENSITIVITY: 5mV/G NOM.
  - WEIGHT: 3 GRAMS NOM
  - ARROWS INDICATE ACCELERATION DIRECTION FOR POSITIVE OUTPUT
  - MATERIAL: TITANIUM ALLOY

NOTES; UNLESS OTHERWISE SPECIFIED.

UNLESS OTHERWISE SPECIFIED: INTERPRET DIM & TOL PER ASME Y14.5M - 1994. REMOVE BURRS. COUNTERSINK INTERNAL THDS 90° TO MAJOR DIA. CHAM EXT THDS 45° TO MINOR DIA. THD LENGTHS AND DEPTHS ARE FOR MIN FULL THDS. THDS PER MIL-S-7742. DIMENSIONS APPLY AFTER FINISHING. ALL MACHINED SURFACES. TOTAL RUNOUT WITHIN .005. BREAK SHARP EDGES .005 TO .010. MACHINED FILLET RADII .005 TO .015. WELDING SYMBOLS PER AWS A2.4. ABBREVIATIONS PER MIL-STD-12.		UNLESS OTHERWISE SPECIFIED: DIMENSIONS ARE IN INCHES. DIMENSIONS IN BRACKETS [ ] ARE IN MILLIMETERS TOLERANCES ARE: INCHES    METRIC    ANGLES .XX ± .03    X ± 0.8    ± 1° .XXX ± .010    .XX ± 0.25		CONTRACT NO.		<b>MASTER</b> <small>Huntsville, TN</small> <b>ONLY IF IN RED</b>	
3023A3		MATERIAL		APPROVALS			
USED ON	NEXT ASSY	FINISH		ORIG	PML	DATE	OUTLINE/INSTALLATION DRAWING, MODEL 3023A3
APPLICATION		DO NOT SCALE DRAWING		CHK	PML	06/20/05	SIZE
THIRD ANGLE PROJECTION USA				APP	PML	06/20/05	CAGE CODE
				APP			DWG. NO.
						127-3023A3	
						REV	
						A	
				SCALE: 2:1		SOLIDWORKS	
						SHEET 1 OF 1	



- MINATURE SIZE
- EXCELLENT LINEARITY
- ULTRA LOW WEIGHT

**PHYSICAL**

Weight, Max.  
Connector  
Mounting Provision  
Material, Housing/Connector  
Sensing Element  
Element Style

ENGLISH		SI	
0.11	oz	3.0	grams
4-PIN		4-PIN	
Adhesive Mount		Adhesive Mount	
Titanium Alloy		Titanium Alloy	
Quartz		Quartz	
Shear		Shear	

**PERFORMANCE**

Sensitivity, -10 / +15 % [1]  
Range for ± 5 Volts Output  
Frequency Response, -5/+15%  
Resonant Frequency  
Broad Band Resolution  
Spectral Noise  
Linearity [2]  
Maximum Transverse sensitivity  
Strain Sensitivity @ 250µε  
Signal Polarity

ENGLISH		SI	
5	mV/g	0.51	mV/m/s <sup>2</sup>
±1000	g	±9807	m/s <sup>2</sup>
1.5 to 4000	Hz	1.5 to 4000	Hz
1.5 to 10000	Hz	1.5 to 10000	Hz
> 40	kHz	> 40	kHz
0.015	Grms	0.147	m/s <sup>2</sup> rms
0.006	Grms/√(Hz)	0.059	m/s <sup>2</sup> rms/√(Hz)
0.002	Grms/√(Hz)	0.0196	m/s <sup>2</sup> rms/√(Hz)
0.0004	Grms/√(Hz)	0.0039	m/s <sup>2</sup> rms/√(Hz)
0.0001	Grms/√(Hz)	0.00098	m/s <sup>2</sup> rms/√(Hz)
0.00008	Grms/√(Hz)	0.00078	m/s <sup>2</sup> rms/√(Hz)
1	% F.S.	1	% F.S.
6	%	6	%
0.039	g/µε	0.38	m/s <sup>2</sup> /µε
[5]		[5]	

**ENVIRONMENTAL**

Maximum Vibration  
Maximum Shock  
Temperature Range  
Seal  
Magnetic Sensitivity at 100 Gauss

±1200	Gpeak	±11768	m/s <sup>2</sup> peak
5000	Gpeak	49033	m/s <sup>2</sup> peak
-60 to +250	°F	-51 to +121	°C
Hermetic		Hermetic	
0.00005	g/Gauss	4.905	m/s <sup>2</sup> /T

**ELECTRICAL**

Supply Current Range [3]  
Compliance Voltage Range  
Output Impedance, Typ  
Bias Voltage  
Discharge Time Constant  
Electrical Isolation

2 to 20	mA	2 to 20	mA
18 to 30	Volts	18 to 30	Volts
100	Ω	100	Ω
7 to 11	VDC	7 to 11	VDC
0.3 to 1.5	Sec	0.3 to 1.5	Sec
Case Grounded	GΩ,min	Case Grounded	GΩ,min

**This family also includes:**

Model	Sensitivity (mV/g)	Frequency Response (Hz)	Mounting	Operating Temp (°F)
3023A	10 (-10 to +15%)	1.5 to 10000 (-5 to +15%)	Adhesive	-60 to +250
3023A1	10 (-10 to +15%)	1.5 to 10000 (-5 to +15%)	5-40 Tapped Hole	-60 to +250
3023A2	10 (-10 to +15%)	1.5 to 10000 (-5 to +15%)	10-32 Tapped Hole	-60 to +250
3023A4	5 (-10 to +15%)	1.5 to 10000 (-5 to +15%)	5-40 Tapped Hole	-60 to +250
3023A5	1 (±5%)	1.5 to 10000 (-5 to +15%)	Adhesive	-60 to +250
3023A6	5 (-10 to +15%)	1.5 to 10000 (-5 to +15%)	10-32 Tapped Hole	-60 to +250
3023A9	1 (±10%)	1.5 to 10000 (-5 to +15%)	10-32 Tapped Hole	-60 to +250

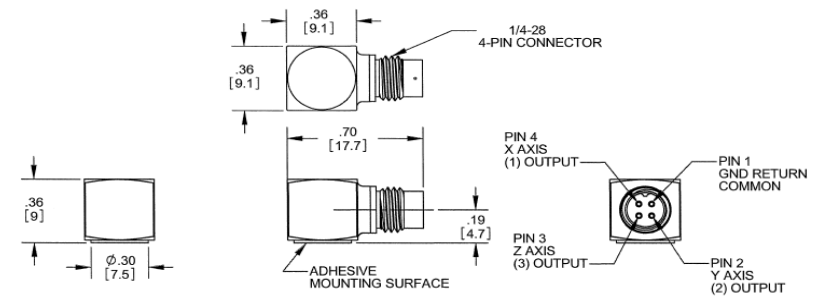
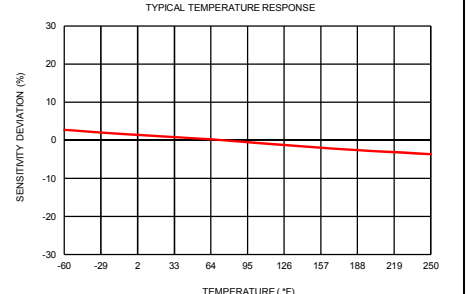
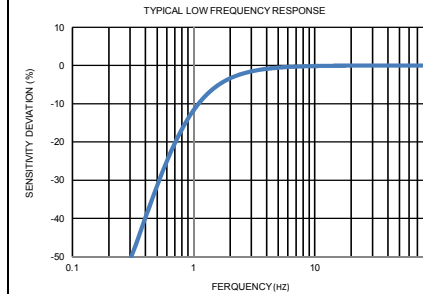
Refer to the performance specifications of the products in this family for detailed description

**Supplied Accessories:**

- 1) Accredited calibration certificate (ISO 17025)

**Notes:**

- [1] Measured at 100Hz, 1 Grms per ISA RP 37.2.
- [2] Measure using zero-based straight line method, % of F.S. or any lesser range.
- [3] Do not apply power to this system without current limiting, 20 mA MAX. To do so will destroy the IC charge amplifier.
- [4] In the interest of constant product improvement, we reserve the right to change specifications without notice.
- [5] Positive for motion in direction of arrows on housing.



Units on the line drawing are in inches, units in brackets are in millimeters. Refer to 127-3023A3 for more information.

