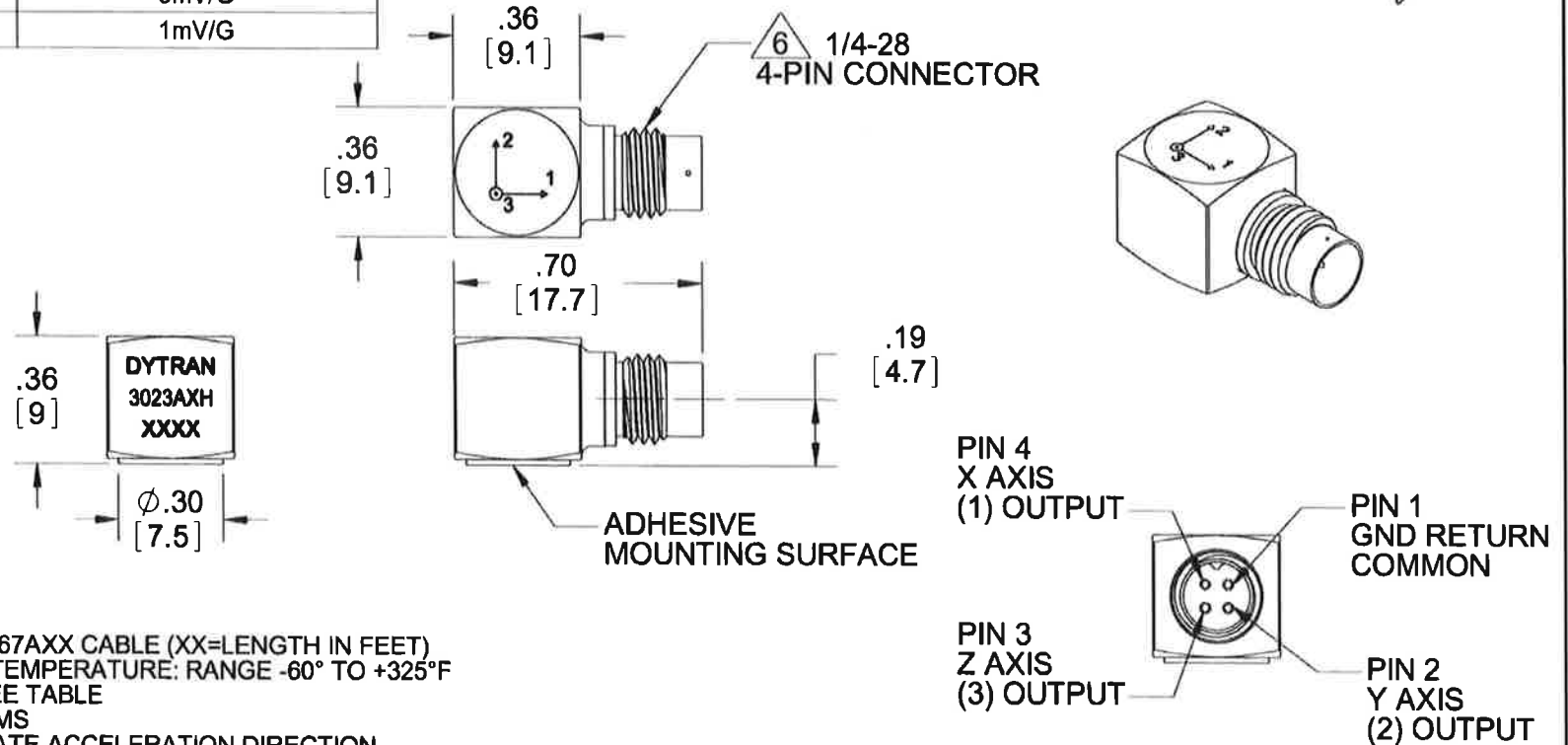


PROPRIETARY AND CONFIDENTIAL	
THE INFORMATION CONTAINED IN THIS DRAWING IS THE SOLE PROPERTY OF DYTRAN INSTRUMENTS INC. ANY REPRODUCTION IN PART OR AS A WHOLE WITHOUT THE WRITTEN PERMISSION OF DYTRAN INSTRUMENTS INC. IS PROHIBITED	
MODEL	SENSITIVITY
3023AH	10mV/G
3023A3H	5mV/G
3023A4H	1mV/G

REVISIONS					
REV.	ECN	DESCRIPTION	BY/DATE	CHK	APPR
B	6250	ADDED NOTE 5 & 6, REFORMATED	RA, 11/23/09	EP	DV
C	7540	ADDED MODEL 3023A4H, TEMPERATURE RANGE - IS: 60° TO +325°F, WAS: 60° TO +320°F	JS 07/06/11	<i>[Signature]</i>	<i>[Signature]</i>



6. MATES WITH 6967AXX CABLE (XX=LENGTH IN FEET)  
 5. OPERATIONAL TEMPERATURE: RANGE -60° TO +325°F  
 4. SENSITIVITY: SEE TABLE  
 3. WEIGHT: 3 GRAMS  
 2. ARROWS INDICATE ACCELERATION DIRECTION FOR POSITIVE OUTPUT  
 1. MATERIAL: TITANIUM ALLOY
- NOTES: UNLESS OTHERWISE SPECIFIED.

USED ON	NEXT ASSY
APPLICATION	
THIRD ANGLE PROJECTION USA	

UNLESS OTHERWISE SPECIFIED:  
 INTERPRET DIM & TOL PER ASME Y14.5M - 1994.  
 REMOVE BURRS.  
 COUNTERSINK INTERNAL THDS 90° TO MAJOR DIA.  
 CHAM EXT THDS 45° TO MINOR DIA.  
 THD LENGTHS AND DEPTHS ARE FOR MIN FULL THDS.  
 THDS PER MIL-S-7742.  
 DIMENSIONS APPLY AFTER FINISHING.  
 ALL MACHINED SURFACES.  
 TOTAL RUNOUT WITHIN .005.  
 BREAK SHARP EDGES .005 TO .010.  
 MACHINED FILLET RADII .005 TO .015.  
 WELDING SYMBOLS PER AWS A2.4.  
 ABBREVIATIONS PER MIL-STD-12.

UNLESS OTHERWISE SPECIFIED:  
 DIMENSIONS ARE IN INCHES.  
 DIMENSIONS IN BRACKETS [ ] ARE IN MILLIMETERS  
 TOLERANCES ARE:  
 INCHES METRIC ANGLES  
 .XX ± .03 .X ± 0.8 ± 1°  
 .XXX ± .010 .XX ± 0.25

MATERIAL

FINISH

DO NOT SCALE DRAWING

CONTRACT NO.		
APPROVALS		DATE
ORIG	PML	06/12/05
CHK	CES	06/12/05
APP	DV	06/13/05
APP		

**DYTRAN** INSTRUMENTS, INC. Chatsworth, CA

**MASTER ONLY IF IN RED**

TITLE: **OUTLINE/INSTALLATION DRAWING, HIGH TEMPERATURE ACCELEROMETER**

SIZE	CAGE CODE	DWG. NO.	REV
<b>A</b>	<b>2W033</b>	<b>127-3023AH</b>	<b>C</b>

SCALE: 1:1      SOLIDWORKS      SHEET 1 OF 1

<b>MODEL NUMBER</b> <b>3023A4H</b>	<b>PERFORMANCE SPECIFICATION</b>	<b>DOC NO.</b> <b>PS3023A4H</b>
	<b>ACCELEROMETER, TRIAXIAL, IEPE</b>	REV F, ECN 14272, 06/18/18



- HIGH TEMPERATURE
- HERMETICALLY SEALED
- MINIATURE SIZE

**PHYSICAL**

	ENGLISH		SI	
Weight	0.11	oz	3.0	grams
Mounting	Adhesive Mount		Adhesive Mount	
Connector [1]	4-pin		4-pin	
Material, Housing / Connector	Titanium		Titanium	

**PERFORMANCE**

Sensitivity, ±10 % [2]	1	mV/g	0.10	mV/m/s <sup>2</sup>
Range F.S. (each axis)	±5000	g	±49050	m/s <sup>2</sup>
Frequency Response, +15/-5%	1.5 to 10,000	Hz	1.5 to 10,000	Hz
Element Natural Frequency	> 30	kHz	> 30	kHz
Broad Band Resolution [7]	0.007	grms	0.07	m/s <sup>2</sup> rms
Spectral Noise	1.25Hz	0.03	grms/√(Hz)	m/s <sup>2</sup> rms/√(Hz)
	10Hz	0.01	grms/√(Hz)	m/s <sup>2</sup> rms/√(Hz)
	100Hz	0.002	grms/√(Hz)	m/s <sup>2</sup> rms/√(Hz)
	1000Hz	0.0005	grms/√(Hz)	m/s <sup>2</sup> rms/√(Hz)
	10000Hz	0.0004	grms/√(Hz)	m/s <sup>2</sup> rms/√(Hz)
Linearity [3]	1	%F.S.	1	%F.S.
Transverse Sensitivity, Max	6	%	6	%
Signal Polarity	[5]		[5]	

**ENVIRONMENTAL**

Maximum Shock	7000	g pk	68670	m/s <sup>2</sup>
Maximum Vibration	6000	g pk	58860	m/s <sup>2</sup>
Temperature Range	-60 to +325	°F	-51 to +162	°C
Environmental Seal	Hermetic		Hermetic	

**ELECTRICAL**

Supply Current Range [4]	2 to 20	mA	2 to 20	mA
Compliance Voltage Range	+18 to +30	VDC	+18 to +30	VDC
Output Impedance, Typ.	100	Ω	100	Ω
Output Bias Voltage	7 to 11	VDC	7 to 11	VDC
Discharge Time Constant, Nom.	0.3 -1.0	sec	0.3 -1.0	sec
Ground Isolation	Case Ground		Case Ground	

**This family also includes:**

Model	Sensitivity (mV/g)	Range (Gpeak)	Resolution (Grms)	Oper. Temp(°F)	TC

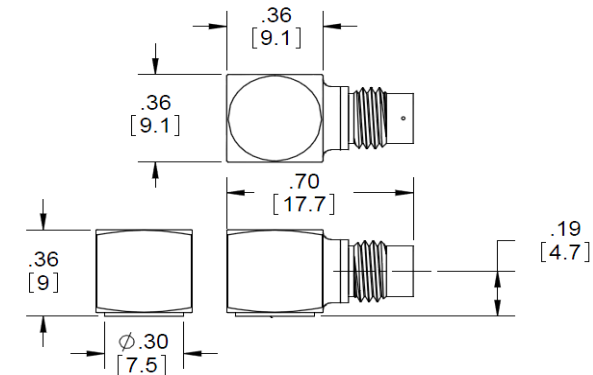
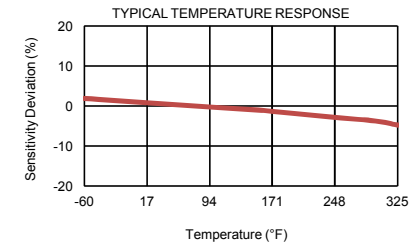
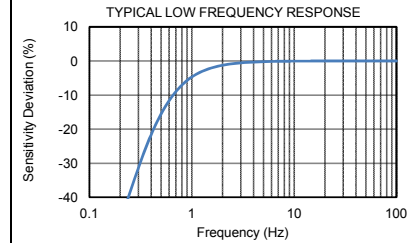
Refer to the performance specifications of the products in this family for detailed description

**Supplied Accessories:**

- 1) Accredited Calibration Certificate (ISO 17025)

**Notes:**

- [1] Connector mates with Dytran's cable assy. Model 6967AXX. (xx = length in feet)
- [2] Measured At 100 Hz, 1 Grms per ISA RP 37.2
- [3] Measured using zero-based best straight-line method, percentage of F.S. or any lesser range.
- [4] Do not apply power to this system without current limiting, 20 mA MAX. To do so will destroy the amplifier.
- [5] Arrows on housing indicate direction of acceleration for positive output.
- [6] In the interest of constant product improvement, we reserve the right to change the specification without notice.
- [7] Typical. Not to exceed .010 Grms [10 m/s<sup>2</sup>].



Units on the line drawing are in inches, units in brackets are in millimeters. Refer to 127-3023A4H for more information.

