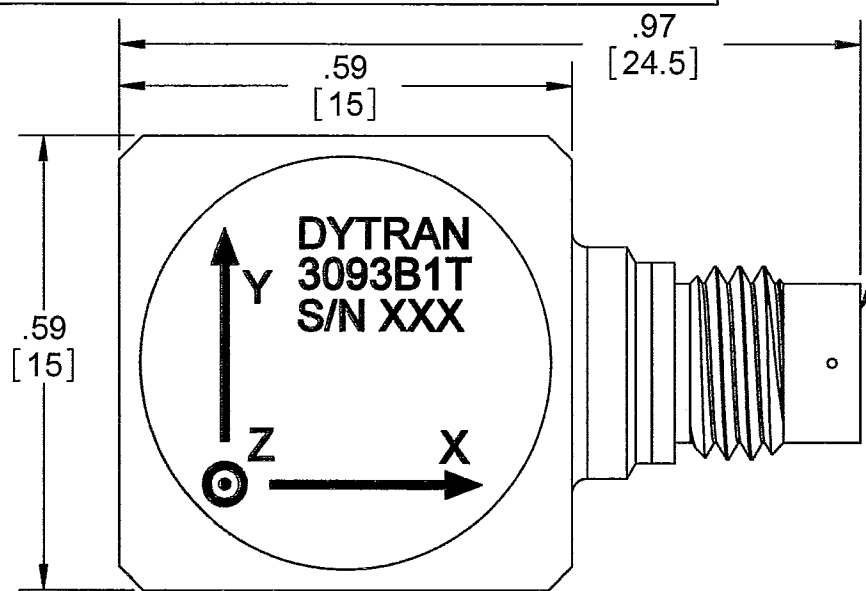


PROPRIETARY AND CONFIDENTIAL

THE INFORMATION CONTAINED IN THIS DRAWING IS THE SOLE PROPERTY OF DYTRAN INSTRUMENTS INC. ANY REPRODUCTION IN PART OR AS A WHOLE WITHOUT THE WRITTEN PERMISSION OF DYTRAN INSTRUMENTS INC. IS PROHIBITED

REVISIONS

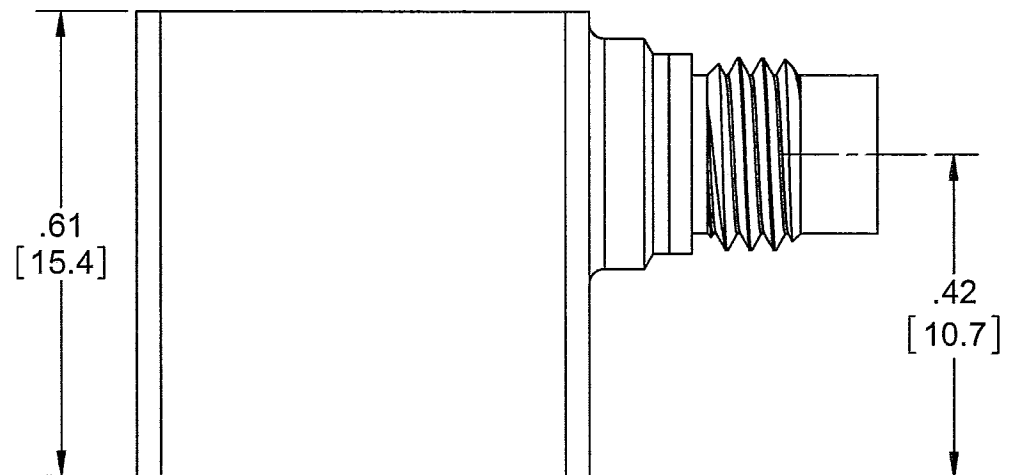
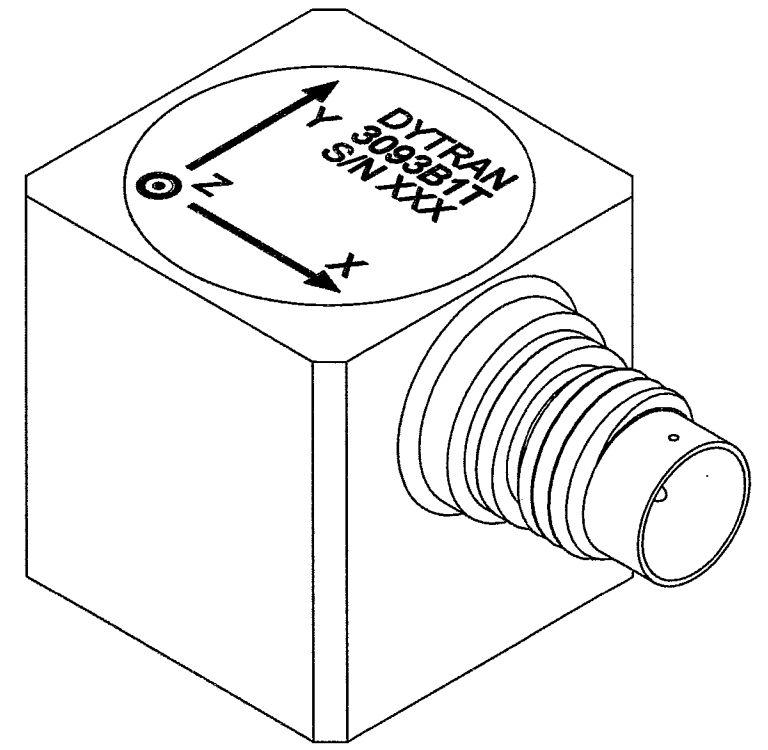
REV.	ECN	DESCRIPTION	BY/DATE	CHK	APPR
A	5233	INITIAL RELEASE	DV, 5/12/08	CES	DV
B	5297	REVISED CONNECTOR PINOUTS	JS 06/18/08	RA	DV
C	9425	ADDED: 6200 MTG STUD & MTG SURFACE PREPARATION, NOTE 4	JS 12/11/12	AB	DV



CONNECTOR MATES WITH DYTRAN CABLE ASSY 6430AXX (XX DENOTES LENGTH IN FEET)

3
AXIS 2 (+Y)

3
AXIS 1 (+X)



GROUND RETURN, COMMON

SIG/PWR AXIS 1 (X)

SIG/PWR AXIS 3 (Z)

SIG/PWR AXIS 2 (Y)

MOUNTING SURFACE

MODEL 6200 MTG STUD (SUPPLIED)

10-32 X .15 THD

MOUNTING SURFACE PREPARATION:
SELECT SURFACE FLAT TO .001 TIR
TAP 10-32 UNF-2B X .200 MIN THD DEPTH.
RECOMMENDED TORQUE 10-12 LB-IN.

- 4. ENVIRONMENTAL SEAL: HERMETIC
 - 3 (+) SIGNS INDICATE SENSITIVE AXIS AND DIRECTION OF INPUT ACCELERATION FOR POSITIVE OUTPUT SIGNAL.
 - 2. WEIGHT 10 GRAMS.
 - 1. MATERIAL TI 6AL-4V.
- NOTES: UNLESS OTHERWISE SPECIFIED

DRILL HOLE SIZE	TOLERANCE
.0135 THRU .125	+0.04 / -.001
.1260 THRU .250	+0.005 / -.001
.2510 THRU .500	+0.006 / -.001
.5010 THRU .750	+0.008 / -.001
.7510 THRU 1.000	+0.010 / -.001
1.001 THRU 2.000	+0.012 / -.001

UNLESS OTHERWISE SPECIFIED:
INTERPRET DIM & TOL PER ASME Y14.5M - 1994.
REMOVE BURRS.
COUNTERSINK INTERNAL THDS 90° TO MAJOR DIA.
CHAM EXT THDS 45° TO MINOR DIA.
THD LENGTHS AND DEPTHS ARE FOR MIN FULL THDS.
THDS PER MIL-S-7742.
DIMENSIONS APPLY AFTER FINISHING ALL MACHINED SURFACES. 63
TOTAL RUNOUT WITHIN .005.
BREAK SHARP EDGES .005 TO .010.
MACHINED FILLET RADII .005 TO .015.
WELDING SYMBOLS PER AWS A2.4.
ABBREVIATIONS PER MIL-STD-12.

THIRD ANGLE PROJECTION USA

UNLESS OTHERWISE SPECIFIED:
DIMENSIONS ARE IN INCHES.
TOLERANCES ARE:
DECIMALS .XX ± .010 ANGLES ± 1°
.XXX ± .005

MATERIAL:

FINISH:

DO NOT SCALE DRAWING

CONTRACT NO.

APPROVALS		DATE
ORIG	JS	05/12/08
CHK	CES	05/21/08
APP	DV	05/21/08
APP	DV	12/26/12

MASTER COPY ONLY IF IN RED

DYTRAN INSTRUMENTS, INC. Chatsworth, CA

TITLE: **OUTLINE/ INSTALLATION DRAWING MODEL 3093B1T**

SIZE B	CAGE CODE 2W033	DWG NO 127-3093B1T	REV C
---------------	------------------------	---------------------------	--------------

SCALE: 4:1 SOLIDWORKS SHEET 1 of 1

Model Number	PERFORMANCE SPECIFICATION		DOC NO
3093B1T	Accelerometer, Triaxial, IEPE		PS3093B1T
			REV A, ECN 13104, 11/16/16



- HIGH SENSITIVITY
- HERMETICALLY SEALED
- STUD MOUNTED
- TEDS FUNCTIONALITY

PHYSICAL

	ENGLISH		SI	
Weight	0.4	oz	10.0	grams
Mounting Provision	10-32 Stud		10-32 Stud	
Connector [1]	4-pin	Type	4-pin	
	Titanium Alloy	Material	Titanium Alloy	
Housing	Titanium Alloy	Material	Titanium Alloy	
	Case Isolated	Isolation	Case Isolated	
Sensing Element	Ceramic	Material	Ceramic	
Mode	Shear	Mode	Shear	

PERFORMANCE

Sensitivity, +15/-10% [2]	100	mV/g	10.2	mV/m/s ²
Acceleration Range	50	Gpeak	491	m/s ² peak
Frequency Range, ±10%	2-5000	Hz	2-5000	Hz
Resonance Frequency	> 30	kHz	> 30	kHz
Linearity [3]	1	%F.S.	1	%F.S.
Transverse Sensitivity, Max.	5	%	5	%
Noise floor	0.0007	Grms	0.007	m/s ² rms

ELECTRICAL

Supply Current Range [4]	2 to 20	mA	2 to 20	mA
Compliance Voltage Range	+18 to +30	VDC	+18 to +30	VDC
Output Impedance, Typ.	100	Ω	100	Ω
Output Bias Voltage	+11 to +13	VDC	+11 to +13	VDC
Discharge Time Constant	0.5 to 1.5	sec	0.5 to 1.5	sec

ENVIRONMENTAL

Shock Max	7000	g pk	68670	m/s ²
Vibration Max	3000	g pk	29430	m/s ²
Operating Temperature	-60 to +225	°F	-51 to +107	°C
TEDS Operating Range	-60 to +185	°F	-51 to 85	°C
Seal	Hermetic		Hermetic	
TEDS Feature	IEEE 1451.4		IEEE 1451.4	

This family also includes:

Model	Sensitivity (mV/g)	Range (Gpeak)	Resolution (Grms)	Oper. Temp(°F)	TC

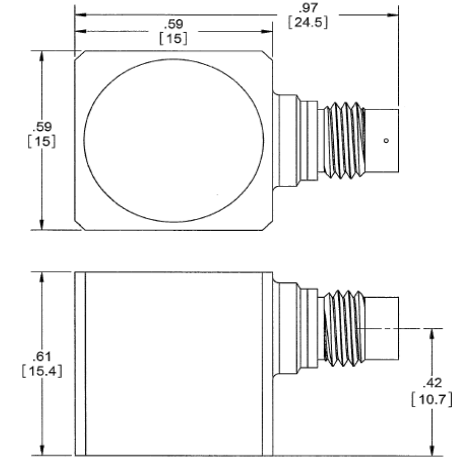
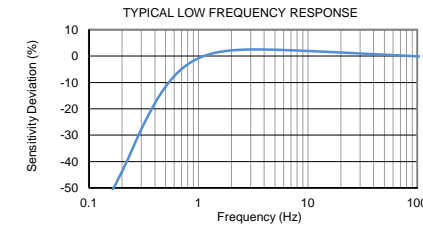
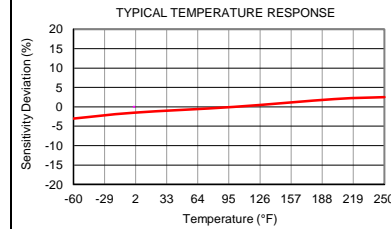
Refer to performance specifications of the products in this family for detailed description.

Supplied Accessories:

- 1) Model 6200 Mounting Screw
- 2) Accredited Calibration Certificate (ISO 17025)

Notes:

- [1] Glass to Metal seal connector. Mates with Dytran cable Model 6430AXX (XX=length in feet)
- [2] Measured At 100 Hz, 1 Grms per ISA RP 37.2
- [3] Linearity is % of specified full scale (or any less full-scale range), zero-based best fit straight line method.
- [4] Do not apply power to this device without current limiting, 20mA Max. To do so will destroy the integral IC amplifier



Units on the line drawing are in inches, units in brackets are in millimeters. Refer to 127-3093B1T for more information.



21592 Marilla Street, Chatsworth, California 91311 Phone: 818.700.7818 Fax:818.700.7880 www.dytran.com
For permission to reprint this content, please contact info@dytran.com