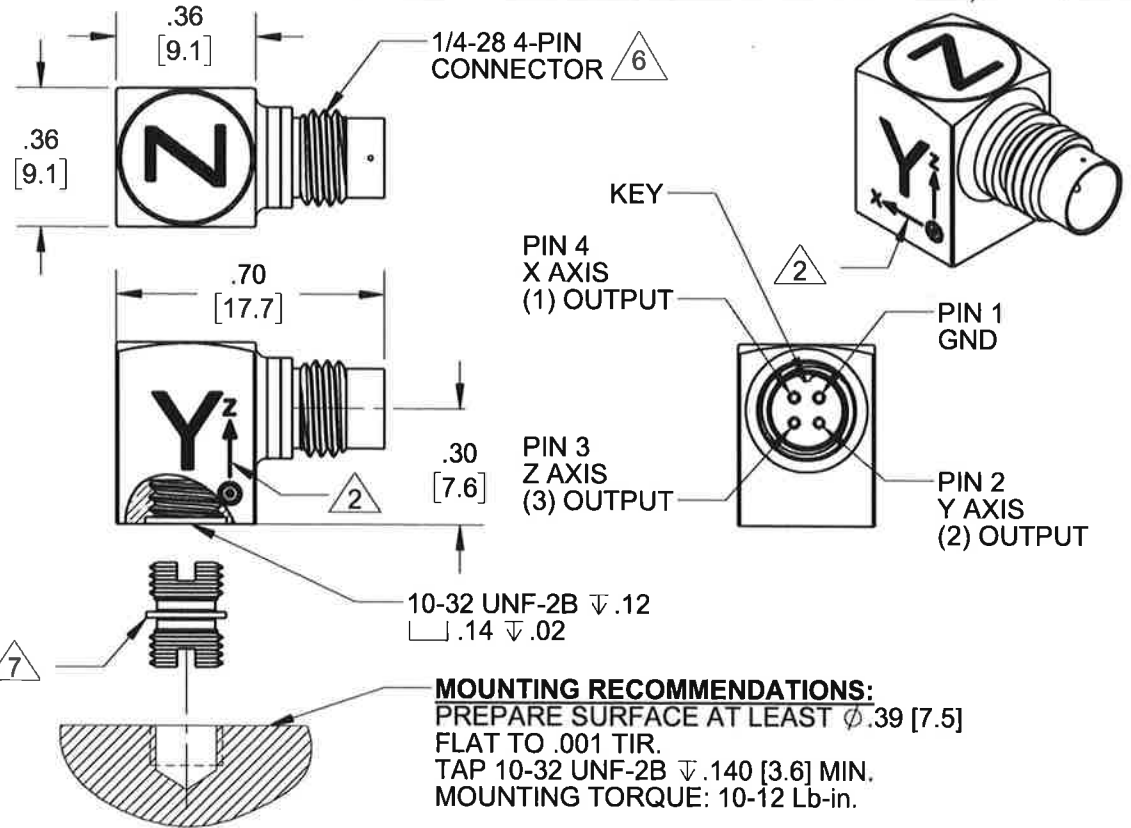


**PROPRIETARY AND CONFIDENTIAL**

THE INFORMATION CONTAINED IN THIS DRAWING IS THE SOLE PROPERTY OF DYTRAN INSTRUMENTS INC. ANY REPRODUCTION IN PART OR AS A WHOLE WITHOUT THE WRITTEN PERMISSION OF DYTRAN INSTRUMENTS INC. IS PROHIBITED

**REVISIONS**

REV	ECN	DESCRIPTION	BY/DATE	CHK	APPR
A	12395	INITIAL RELEASE	LA 01/11/16	<i>[Signature]</i>	AS



- 7 MODEL 6200, 10-32 UNF-2A MOUNTING STUD, SUPPLIED
  - 6 MATES WITH DYTRAN 6811AXX OR 6824AXX CABLE (XX=LENGTH IN FEET)
  - 5. OPERATIONAL TEMPERATURE: RANGE -60° TO +325°F. TEDS OPERATIONAL TEMPERATURE: RANGE -60° TO +180°F.
  - 4. SENSITIVITY: 10mV/g.
  - 3. WEIGHT: 4 GRAMS MAX.
  - 2 ARROWS INDICATE ACCELERATION DIRECTION FOR POSITIVE OUTPUT
  - 1. MATERIAL: TITANIUM ALLOY
- NOTES: UNLESS OTHERWISE SPECIFIED.

**MOUNTING RECOMMENDATIONS:**  
 PREPARE SURFACE AT LEAST  $\phi .39$  [7.5] FLAT TO .001 TIR.  
 TAP 10-32 UNF-2B  $\nabla .140$  [3.6] MIN.  
 MOUNTING TORQUE: 10-12 Lb-in.

USED ON	NEXT ASSY	UNLESS OTHERWISE SPECIFIED: INTERPRET DIM & TOL PER ASME Y14.5M - 1994. REMOVE BURRS. COUNTERSINK INTERNAL THDS 90° TO MAJOR DIA. CHAM EXT THDS 45° TO MINOR DIA. THD LENGTHS AND DEPTHS ARE FOR MIN FULL THDS. THDS PER MIL-S-7742. DIMENSIONS APPLY AFTER FINISHING.	UNLESS OTHERWISE SPECIFIED: DIMENSIONS ARE IN INCHES. DIMENSIONS IN BRACKETS [ ] ARE IN MILLIMETERS TOLERANCES ARE: INCHES METRIC ANGLES .XX ± .03 X ± 0.8 ± 1° .XXX ± .010 .XX ± 0.25
APPLICATION			
THIRD ANGLE PROJECTION USA			
		ALL MACHINED SURFACES TOTAL RUNOUT WITHIN .005. BREAK SHARP EDGES .005 TO .010. MACHINED FILLET RADII .005 TO .015. WELDING SYMBOLS PER AWS A2.4. ABBREVIATIONS PER MIL-STD-12.	

MATERIAL	
FINISH	
DO NOT SCALE DRAWING	

CONTRACT NO.	
APPROVALS	DATE
ORIG LN	12/10/15
CHK <i>[Signature]</i>	01/20/16
APP AS	1/21/16
APP	

**MASTER COPY CHATSWORTH, CA**

TITLE: **OUTLINE/INSTALLATION DRAWING, MODEL 3023M40T**

SIZE <b>A</b>	CAGE CODE <b>2W033</b>	DWG. NO. <b>127-3023M40T</b>	REV <b>A</b>
SCALE: NONE		SOLIDWORKS	SHEET 1 OF 1

<b>MODEL NUMBER</b> <b>3023M40T</b>	<b>PERFORMANCE SPECIFICATION</b>	<b>DOC NO.</b> <b>PS3023M40T</b>
	<b>ACCELEROMETER, TRIAXIAL, IEPE</b>	REV A, ECN 12395, 01/14/16



- **HIGH TEMPERATURE**
- **HERMETICALLY SEALED**
- **MINIATURE SIZE**
- **TEDS FEATURE**
- **ELECTRICALLY FILTERED**

**PHYSICAL**

Weight, Max.  
Mounting  
Connector [1]  
Material, Housing / Connector

ENGLISH		SI	
0.14	oz	4.0	grams
10-32 Tapped Hole		10-32 Tapped Hole	
4-pin		4-pin	
Titanium		Titanium	

**PERFORMANCE**

Sensitivity, -10% / +15% [2]  
Range F.S. (each axis)  
Frequency Response  
Electrical Filter  
Element Natural Frequency  
Equivalent Electrical Noise  
Spectral Noise  
Linearity [3]  
Transverse Sensitivity, Max.  
Signal Polarity

	ENGLISH		SI	
Sensitivity	10	mV/g	1.02	mV/m/s <sup>2</sup>
Range	±500	g	±4905	m/s <sup>2</sup>
Frequency Response	± 10% 1.7 to 4000	Hz	1.7 to 4000	Hz
Electrical Filter	One pole Low-Pass, 16kHz		One pole Low-Pass, 16kHz	
Element Natural Frequency	>25	kHz	>25	kHz
Equivalent Electrical Noise	0.007	Grms	0.07	m/s <sup>2</sup> rms
Spectral Noise	1.5Hz: 0.0010 10Hz: 0.001 100Hz: 0.0002 1000Hz: 0.00005 10000Hz: 0.00003	Grms/v(Hz)	0.01 0.010 0.002 0.0005 0.0003	m/s <sup>2</sup> rms/v(Hz)
Linearity	±1	% F.S.	±1	% F.S.
Transverse Sensitivity	6	%	6	%
Signal Polarity	[5]		[5]	

**ELECTRICAL**

Supply Current Range [4]  
Compliance Voltage Range  
Output Impedance, Typ.  
Output Bias Voltage  
Discharge Time Constant  
Magnetic Sens. at 100 Gauss  
Ground Isolation

	ENGLISH		SI
Supply Current Range	2 to 20	mA	2 to 20
Compliance Voltage Range	+18 to +30	VDC	+18 to +30
Output Impedance, Typ.	100	Ω	100
Output Bias Voltage	7 to 12	VDC	7 to 12
Discharge Time Constant	0.2 - 2.0	sec	0.2 - 2.0
Magnetic Sens. at 100 Gauss	0.00005	g/Gauss	4.905
Ground Isolation	Case Ground		Case Ground

**ENVIRONMENTAL**

Maximum Shock  
Maximum Vibration  
Temperature Range  
TEDS Operating Temp.  
Environmental Seal  
TEDS

	ENGLISH		SI
Maximum Shock	±1000	g pk	±9810
Maximum Vibration	±600	g pk	±5886
Temperature Range	-60 to +325	°F	-51 to +162
TEDS Operating Temp.	-60 to +180	°F	-51 to +82
Environmental Seal	Hermetic		Hermetic
TEDS	IEEE 1451.4		IEEE 1451.4

**This family also includes:**

Model	Sensitivity (mV/g)	Range (Gpeak)	Resolution (Grms)	Oper. Temp (°F)	TC

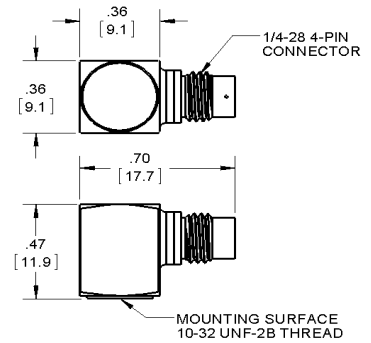
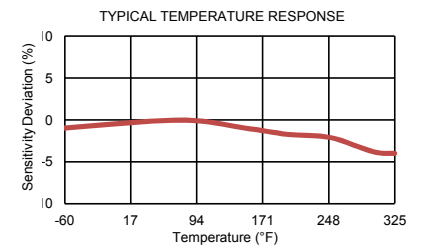
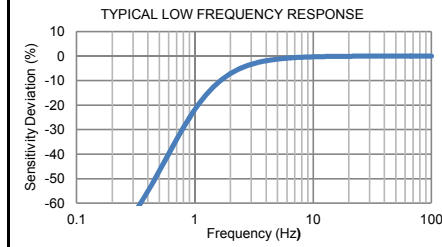
Please, refer to the performance specifications of the products in this family for detailed description

**Supplied Accessories:**

- 1) Accredited Calibration Certificate (ISO 17025)
- 2) Model 6200 Mounting Stud, Qty 1.

**Notes:**

- [1] Connector mates with Dytran's cable assy. model 6811AXX or 6824AXX. (xx = length in feet)
- [2] Measured At 100 Hz, 1 Grms per ISA RP 37.2
- [3] Measured using zero-based best straight-line method, % of F.S. or any lesser range.
- [4] Power only with Dytran IEPE power unit or other Dytran-compatible constant current type power unit. If power is applied without current limiting protection, the internal amplifier will be destroyed.
- [5] Positive for motion in direction of arrows on housing.
- [6] In the interest of constant product improvement, we reserve the right to change the specification without notice.



Units on the line drawing are in inches, units in brackets are in millimeters. Refer to 127-3023M40T for more information.



21592 Marilla Street, Chatsworth, California 91311 Phone: 818.700.7818 Fax: 818.700.7880  
www.dytran.com For permission to reprint this content, please contact info@dytran.com