

PROPRIETARY AND CONFIDENTIAL

THE INFORMATION CONTAINED IN THIS DRAWING IS THE SOLE PROPERTY OF DYTRAN INSTRUMENTS INC. ANY REPRODUCTION IN PART OR AS A WHOLE WITHOUT THE WRITTEN PERMISSION OF DYTRAN INSTRUMENTS INC. IS PROHIBITED

8 4-WIRE CABLE

WIRE	36 AWG, 7/44 SILVER PLATED COPPER
WIRE INSULATION	PFA, .006 NOMINAL WALL
SHIELD	44 AWG SILVER PLATED SOFT COPPER BRAID
JACKET	PFA, WHITE, .006 INCH NOMINAL WALL
DIAMETER	∅.045 NOMINAL
TEMP	-196 TO +200 DEG C
VOLTAGE	150 VOLTS AC

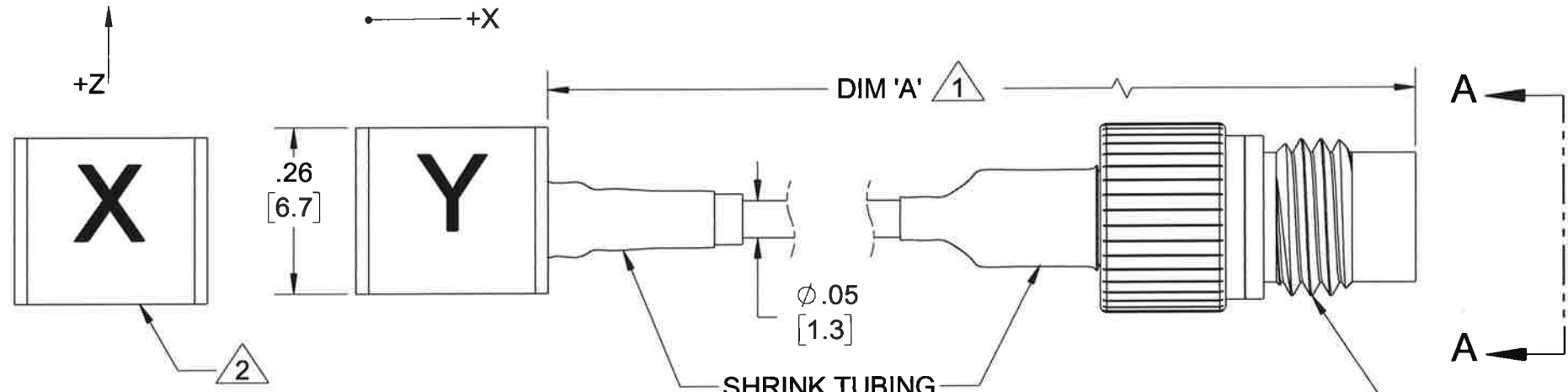
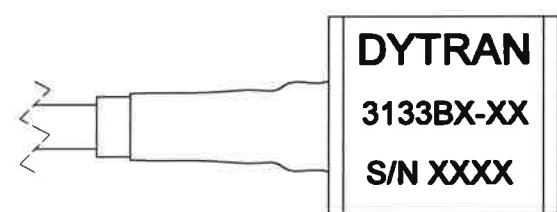
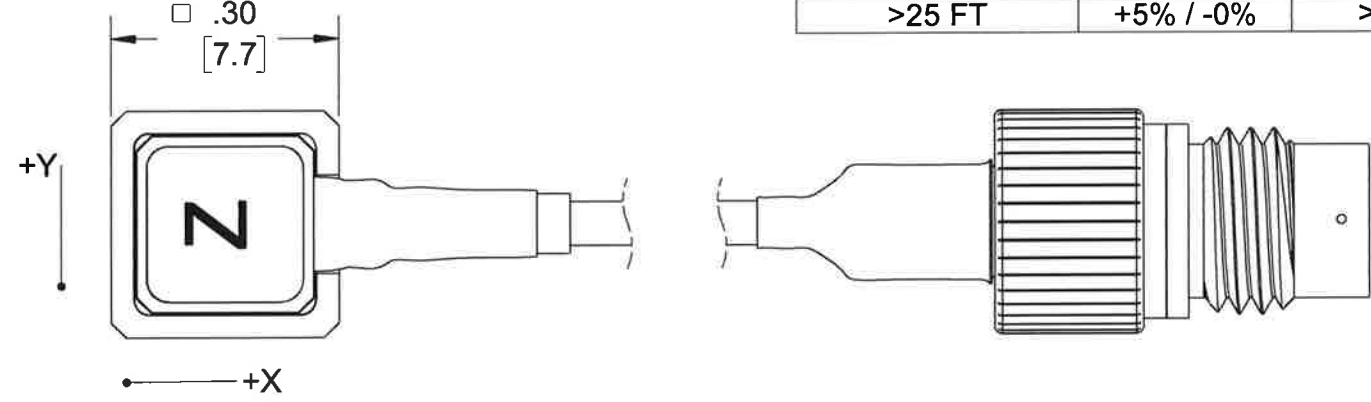
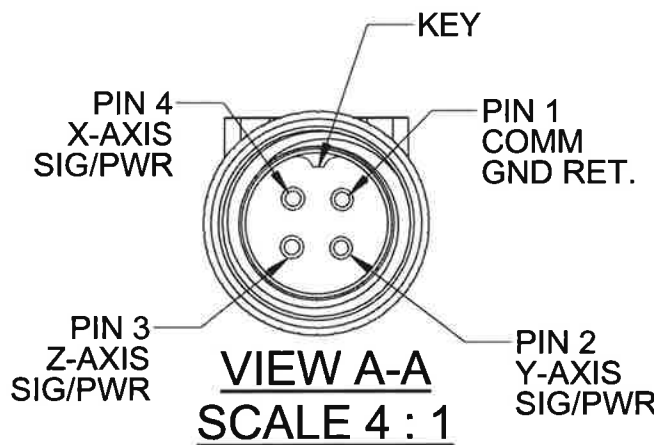
REVISIONS

REV.	ECN	DESCRIPTION	BY/DATE	CHK	APPR
C	13832	REDRAWN IN SOLIDWORKS WITH CHANGES, SAME AS REV B1	RA, 11/06/17	MH	LN

MODEL	SENSITIVITY	DIM 'A'
3133B1	9-24 mV/g	36.0 IN
3133B2	2-5 mV/g	36.0 IN
3133B3	5-10 mV/g	36.0 IN
3133B1-05	9- 14 mV/g	5.0 FT
3133B2-05	2-5 mV/g	5.0 FT
3133B3-05	5-10 mV/g	5.0 FT

1 CABLE LENGTH TOLERANCE

ENGLISH		[METRIC]	
≤1FT	+1/ -0 IN	≤0.3m	+25mm -0mm
>1 FT - 5 FT	+2/ -0 IN	>.0.3 m-1.5m	+50mm -0mm
> 5 FT - 10 FT	+4/ -0 IN	>1.5m-3m	+100mm -0mm
>10 FT - 25FT	+6 / -0 IN	>3m-7.5m	+150mm -0mm
>25 FT	+5% / -0%	>7.5m	+5%/-0%



- 8 CABLE, 4-CONDUCTOR, SHIELDED. SEE TABLE FOR SPECIFICATIONS.
  - 7. WEIGHT: LESS CABLE: 0.9 GRAMS
  - 6. MODEL 6298 PETRO MOUNTING WAX, SUPPLIED
  - 5. MATING CABLES ARE MODELS 6824AXX (SANTOPRENE), OR 6811AXX, (TEFLON) 4-PIN CONNECTOR TO 3 BNC's "XX" IS THE CABLE LENGTH IN FEET.
  - 4. HOISING MATERIAL: TITANIUM. GND. ISO BASE: ANODIZED ALUMINUM.
  - 3. LETTERS 'X', 'Y', 'Z' INDICATE DIRECTION OF ACCELERATION OF EACH AXIS FOR POSITIVE GOING OUTPUT VOLTAGE (AS MARKED SURFACE ACCELERATES TOWARD VIEWER.) SEE DIRECTIONAL ARROWS ON DRAWING FACE.
  - 2 FOR BEST FREQUENCY RESPONCE, PREPARE FLAT MOUNTING SURFACE OF AT LEAST ∅.45, FLAT TO .001 TIR. APPLY ONE OR TWO DROPS OF CYANACRYLATE ADHESIVE TO MOUNT ACCELEROMETER.
  - 1 LENGTH OF CABLE ASSEMBLY IS DESIGNATED BY DIM 'A' (SEE VARIATION CHART)
- NOTES: UNLESS OTHERWISE SPECIFIED

UNLESS OTHERWISE SPECIFIED: INTERPRET DIM & TOL PER ASME Y14.5M - 1994. REMOVE BURRS. COUNTERSINK INTERNAL THDS 90° TO MAJOR DIA. CHAM EXT THDS 45° TO MINOR DIA. THD LENGTHS AND DEPTHS ARE FOR MIN FULL THDS. DIMENSIONS APPLY AFTER FINISHING.

ALL MACHINED SURFACES: 63/ TOTAL RUNOUT WITHIN .005. BREAK SHARP EDGES .005 TO .010. MACHINED FILLET RADII .005 TO .015. WELDING SYMBOLS PER AWS A2.4. ABBREVIATIONS PER MIL-STD-12.

DECIMALS	METRIC	ANGLES
.XX ±.01	X ± 0.8	±1°
.XXX ±.005	.XX ±0.25	

APPROVALS		DATE
ORIG	RA	10/27/17
CHK	MH	11/4/17
APP	LN	11/8/17

DO NOT SCALE DRAWING

**MASTER COPY ONLY IF IN RED**  
DYTRAN INSTRUMENTS, INC. Chatsworth, CA

TITLE: **OUTLINE/INSTALLATION DRAWING, MODEL 3133BX-X GROUND-ISOLATED TRIAXIAL ACCELEROMETER**

SIZE	CAGE CODE	DWG NO	REV
<b>B</b>	2W033	127-3133B	<b>C</b>

SCALE: 2:1 SHEET 1 OF 1

<b>Model Number</b> 3133B1	<b>PERFORMANCE SPECIFICATION</b>		<b>DOC NO</b> PS3133B1
	<b>Accelerometer, Triaxial, IEPE</b>		REV E, ECN 14811, 01/10/19



- ULTRA MINIATURE SIZE
- HIGH SENSITIVITY
- IDEAL LOW FREQUENCY RESPONSE
- GROUND ISOLATED

	ENGLISH		SI	
<b>PHYSICAL</b>				
Weight	0.03	oz	0.8	grams
Mounting	Adhesive		Adhesive	
Integral Cable	Length			
	Type			
Connector	3	ft	914	mm
	Type			
Housing	TFE		TFE	
Isolation Cup	Material		Material	
Sensing Element	4-pin		4-pin	
	Material		Material	
	Titanium		Titanium	
	Material		Material	
	Anodized Al		Anodized Al	
	Material		Material	
	Ceramic		Ceramic	
	Mode		Mode	
	Shear		Shear	

**PERFORMANCE**

Sensitivity [1], [2], ±15%	10	mV/g	1.02	mV/m/s <sup>2</sup>
Acceleration Range	500	Gpeak	4905	m/s <sup>2</sup> peak
Frequency Range, ±5%	0.3 to 6000	Hz	0.3 to 6000	Hz
Frequency Range, ±10%	0.25 to 10000	Hz	0.25 to 10000	Hz
Resonance Frequency	>35	kHz	>35	kHz
Transverse Sensitivity	6	%	6	%
Noise floor	0.02	Grms	0.20	m/s <sup>2</sup> rms
Spectral Noise	1Hz	4000	μGrms/sqr(Hz)	39240
	10Hz	2000	μGrms/sqr(Hz)	19620
	100Hz	500	μGrms/sqr(Hz)	4905
	1000Hz	200	μGrms/sqr(Hz)	1962
	10000Hz	90	μGrms/sqr(Hz)	883

**ENVIRONMENTAL**

Shock	5000	Gpeak	49050	m/s <sup>2</sup>
Vibration	900	Gpeak	8829	m/s <sup>2</sup>
Operating Temperature	-60 to +250	°F	-51 to 121	°C
Seal	Epoxy		Epoxy	
Magnetic Sensitivity at 100 Gauss	0.00004	g/Gauss	0.00039	m/s <sup>2</sup> /Gauss
Base Strain Sensitivity	0.15	g/με	1.47	m/s <sup>2</sup> /με

**ELECTRICAL**

Compliance Voltage	+18 to +30	VDC	+18 to +30	VDC
Current Range	2 to 20	mA	2 to 20	mA
Discharge Time Constant	1.0 to 2.5	seconds	1.0 to 2.5	seconds
Case Isolation, Min	10	GΩ	10	GΩ
Bias Voltage	+8 to +10	VDC	+8 to +10	VDC
Output Impedance	100	Ω	100	Ω

**This family also includes:**

Model	Sensitivity (mV/g)	Range (Gpeak)	Resolution (Grms)	Oper. Temp(°F)	TC
3133B2	2	2500	0.15	-60 to 300	0.3 to 2.5
3133B3	5	1000	0.06	-60 to 250	1.0 to 2.5

Please, refer to the performance specifications of the products in this family for detailed description

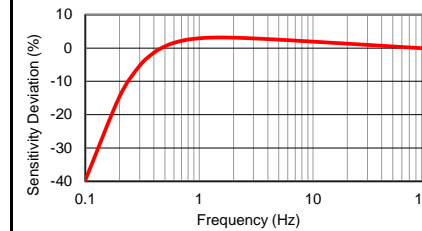
**Supplied Accessories:**

- 1) Model 6298 small petro wax
- 2) Model 6741 removal tool
- 3) Accredited calibration certificate (ISO 17025)

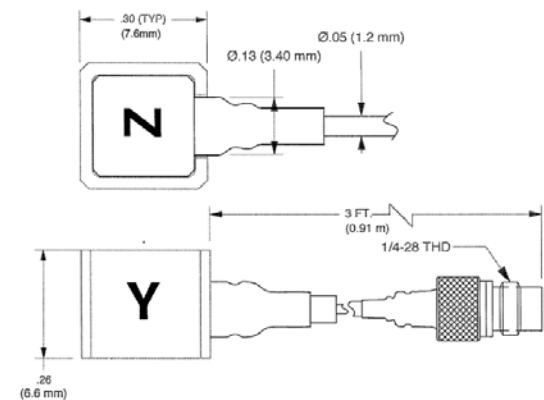
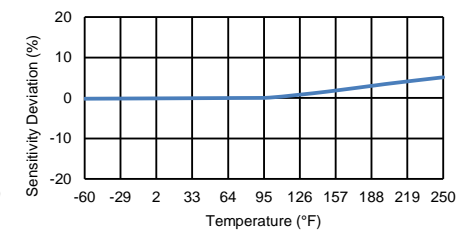
**Notes:**

- [1] Measured at 100 Hz, 10 Grms
- [2] Actual sensitivity is given on a calibration certificate
- [3] Do not apply power to this device without current limiting, 20mA max, to do so will destroy the integral IC amplifier

TYPICAL LOW FREQUENCY RESPONSE



TYPICAL TEMPERATURE RESPONSE



Units on the line drawing are in inches, units in brackets are in millimeters. Refer to 127-3133B for more information.



21592 Marilla Street, Chatsworth, California 91311 Phone: 818.700.7818 Fax: 818.700.7880 www.dytran.com For permission to reprint this content, please contact info@dytran.com