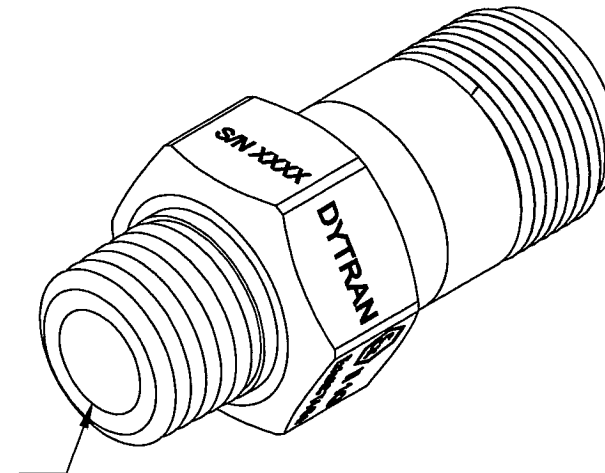
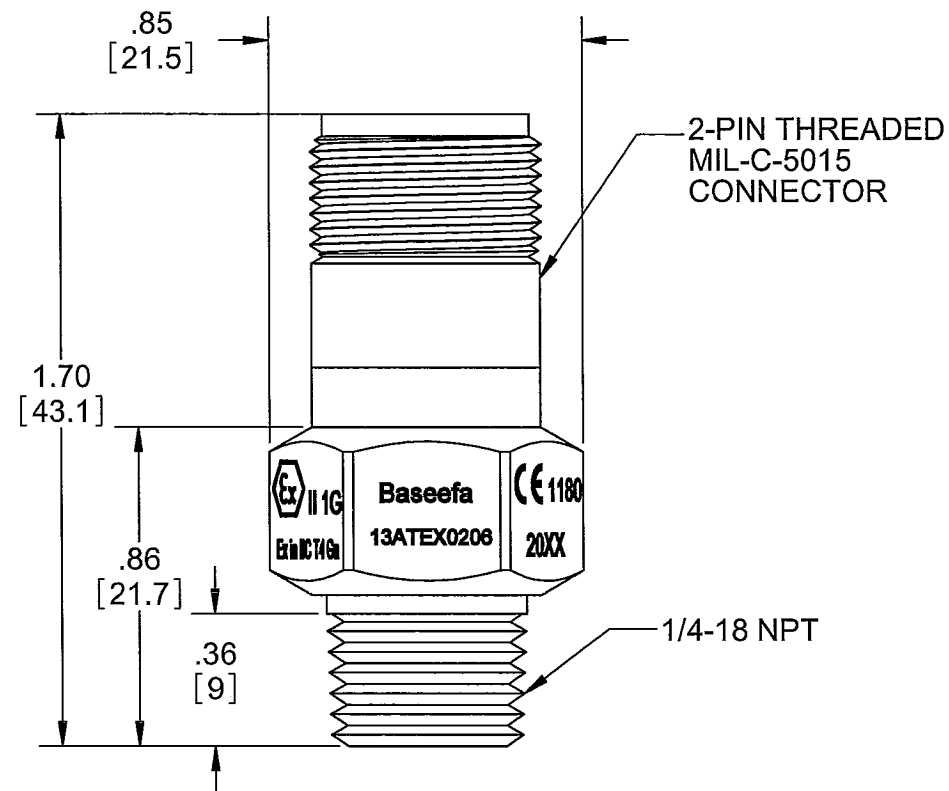
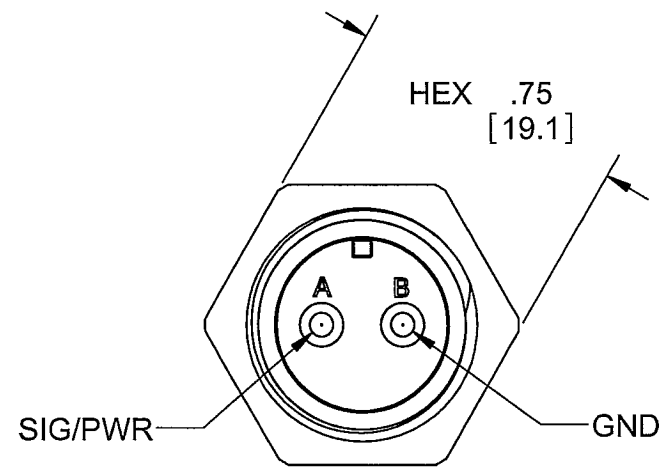


PROPRIETARY AND CONFIDENTIAL

THE INFORMATION CONTAINED IN THIS DRAWING IS THE SOLE PROPERTY OF DYTRAN INSTRUMENTS INC. ANY REPRODUCTION IN PART OR AS A WHOLE WITHOUT THE WRITTEN PERMISSION OF DYTRAN INSTRUMENTS INC. IS PROHIBITED

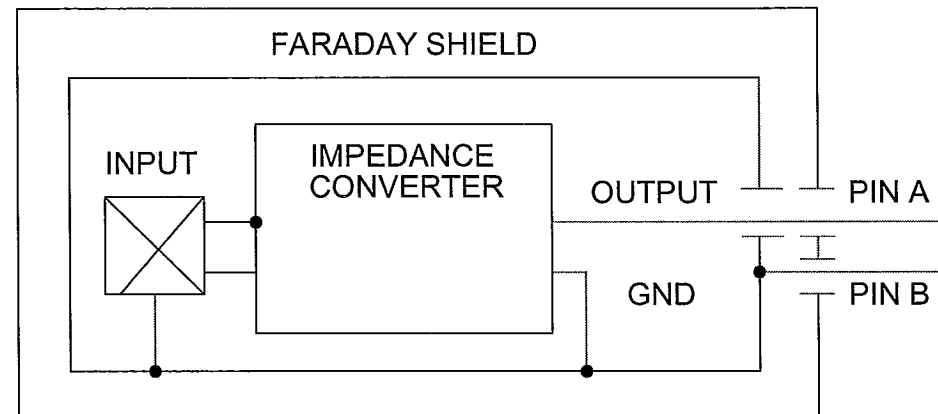
REVISIONS

REV.	ECN	DESCRIPTION	BY/DATE	CHK	APPR
A	5698	INITIAL RELEASE	01/26/09	ANS	DV
B	5351	UPDATED FORMAT	RA, 07/28/10	EP	DV
C	10439	ADDED SCHEMATIC, NOTES 3 & 4, CONFIGURATION CONTROL STAMP, AND ATEX MARKING	AB 10/02/13		



SENSING DIAPHRAGM
φ .31
[φ 7.9]

MODEL	SENSITIVITY
2006V1	10mV/PSI
2006V2	50mV/PSI
2006V3	100mV/PSI



SCHEMATIC DIAGRAM

NO CHANGES ALLOWED
WITHOUT CONSENT OF
CONFIGURATION CONTROL BOARD
DYTRAN INSTRUMENTS, INC.

ENG QA

1. CASE TO GROUND PIN ISOLATION >100MΩ
2. MATERIAL: HOUSING/DIAPHRAGM - 316L
CONNECTOR - 304L
3. IMPEDANCE CONVERTER HAS NO VOLTAGE ENHANCING/GENERATING PARTS.
4. TOTAL SENSOR CAPACITANCE, Ci (PIEZO ELEMENT PLUS CIRCUIT CAPACITORS): 18 pF MAXIMUM. SENSOR CONTAINS NO INDUCTIVE COMPONENTS.

NOTES: UNLESS OTHERWISE SPECIFIED

<small>UNLESS OTHERWISE SPECIFIED: INTERPRET DIM & TOL PER ASME Y14.5M - 1994. REMOVE BURRS. COUNTERSINK INTERNAL THDS 90° TO MAJOR DIA. CHAM EXT THDS 45° TO MINOR DIA. THD LENGTHS AND DEPTHS ARE FOR MIN FULL THDS. DIMENSIONS APPLY AFTER FINISHING.</small>	<small>UNLESS OTHERWISE SPECIFIED: DIMENSIONS ARE IN INCHES. TOLERANCES ARE:</small>				<p>MASTER ONLY IF IN RED</p> <p>Chatsworth, CA</p>								
	DECIMALS .XX ±.01 .XXX ±.005	ANGLES ±1°		<p>TITLE: OUTLINE/INSTALLATION DRAWING, 2006V</p>									
	<table border="1"> <tr> <th>APPROVALS</th> <th>DATE</th> </tr> <tr> <td>ORIG DV</td> <td>04/28/08</td> </tr> <tr> <td>CHK ANS</td> <td>01/27/09</td> </tr> <tr> <td>APP DV</td> <td>01/27/09</td> </tr> </table>	APPROVALS	DATE	ORIG DV		04/28/08	CHK ANS	01/27/09	APP DV	01/27/09	<p>DO NOT SCALE DRAWING</p>		<p>SIZE B CAGE CODE 2W033 DWG NO 127-2006V REV C</p>
	APPROVALS	DATE											
ORIG DV	04/28/08												
CHK ANS	01/27/09												
APP DV	01/27/09												
<p>ALL MACHINED SURFACES ⁶³/_√ TOTAL RUNOUT WITHIN .005. BREAK SHARP EDGES .005 TO .010. MACHINED FILLET RADII .005 TO .015. WELDING SYMBOLS PER AWS A2.4. ABBREVIATIONS PER MIL-STD-12.</p>		<p>THIRD ANGLE PROJECTION USA</p>		<p>SCALE: 2:1 SOLIDWORKS SHEET 1 OF 1</p>									

MODEL NUMBER 2006V3	PERFORMANCE SPECIFICATION	DOC NO. PS2006V3
--------------------------------------	----------------------------------	-----------------------------------

	DYNAMIC PRESSURE SENSOR, IEPE	REV F, ECN 13202, 12/22/2016
--	--------------------------------------	------------------------------



- **HIGH SENSITIVITY**
- **ACCELERATION COMPENSATION**
- **ELECTRICALLY ISOLATED HOUSING**

PHYSICAL

	ENGLISH		SI		
Weight, Max	2.3	oz	65	grams	
Mounting Provision	1/4-18 MNPT		1/4-18 MNPT		
Connector	MIL-C-5015, 2 PIN	Type	MIL-C-5015, 2 PIN		
Diaphragm Material	316L	Material	316L		

PERFORMANCE

Sensitivity +/- 10%	100		1.45E-02		
Range F.S for +/- 5 volts peak out	+/-50	psi	344738	Pa	
Maximum Pressure	8000	psi	5.5 X 10 ⁷	Pa	
Equivalent Electrical Noise (Resolution)	0.0007	psi	4.82	Pa	
Mounted Resonant Frequency	>50000	Hz	>50000	Hz	
Frequency Response, +/- 10%	2 to 5000	Hz	2 to 5000	Hz	
Minimum Rise Time of Input Pulse	2	µsec	2	µsec	
Discharge Time Constant	0.17 to 0.5	sec	0.17 to 0.5	sec	
Linearity [1]	+/-1	Hz	+/-1	%F.S	
Lower -3db Frequency	1	Hz	1	Hz	
Acceleration Sensitivity, Axial Direction	0.002	psi/g	0.014	Kpa/g	

ENVIRONMENTAL

Maximum Vibration	3000		3000		
Maximum Shock	10000	g pk	10000	g pk	
Temperature Range	-40 to +250	°F	-40 to +121	°C	
Thermal Coefficient Of Sensitivity	0.03	% / °F	0.02	% / °C	
Environmental Seal	Hermetic		Hermetic		
Power/Sig Ground Isolation, Min	100	MΩ	100	MΩ	

ELECTRICAL

Excitation Voltage Range	18 to 30		18 to 30		
Excitation Current Range [2]	2 to 20	mA	2 to 20	mA	
Output Impedance NOM	100	Ω	100	Ω	
Output Bias Voltage, NOM.	7.5 to 9.5	VDC	7.5 to 9.5	VDC	
Output Signal Polarity	Positive		Positive		

This family also includes:

Model	Sensitivity (mV/psi)	Range (psi pk)	Resolution (Grms)	Oper. Temp(°F)	TC (Sec)
2006V1	10	500	0.007	-40 to +250	0.17 to 0.5
2006V2	50	100	0.0014	-40 to +250	0.17 to 0.5

Please, refer to the performance specifications of the products in this family for detailed description.

Notes:

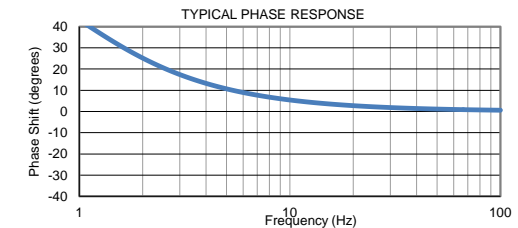
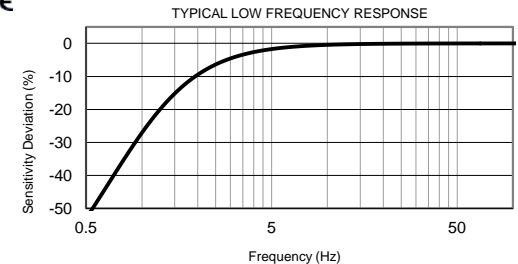
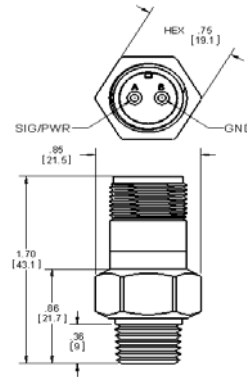
- [1] Percent full scale, zero based fit straight line method.
- [2] From constant current type power unit only. This sensor **MUST NOT BE CONNECTED** to a DC power source without current limiting, 20mA Maximum.
- [3] A calibration certificate traceable to NIST is supplied with each instrument.
- [4] In the interest of constant product improvement, we reserve the right to change the specification without notice

CERTIFICATIONS:

ATEX Ex II 1G Ex ia IIC T4 Ga (marked on each microphone)

Baseefa13ATEX0206(marked on each microphone)

CE certified (marked on each microphone) **CE**



Units on the line drawing are in inches, units in brackets are in millimeters. Refer to 127-2006V for more information.



21592 Marilla Street, Chatsworth, California 91311 Phone: 818.700.7818 Fax:818.700.7880
www.dytran.com For permission to reprint this content, please contact info@dytran.com