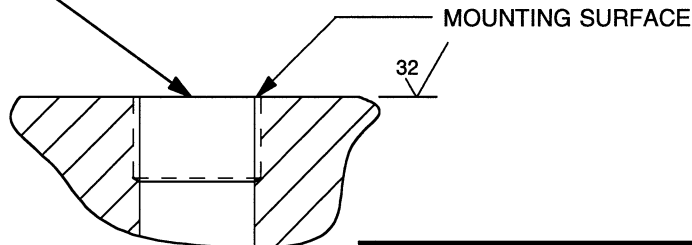


MOUNTING PREPARATION

PREPARE FLAT SURFACE (TO .001 TIR)
OVER 2.00 MIN DIAMETER AREA.
DRILL 39/64 (Ø.609) THRU, AT CENTER
TAP 11/16-12 UNS-2B X .430 MIN THREAD
DEPTH



1. MATERIAL, HOUSING & CONNECTOR HOUSING:
300 SERIES STAINLESS STEEL. TOP AND
BOTTOM SURFACES, 17-4 PH ST. STEEL
2. WEIGHT - 460 GRAMS
3. TORQUE TO 20-25 LB-FT AT INSTALLATION
USING WRENCH ON WRENCH FLATS ONLY.
4. DO NOT APPLY IMPACT LOADS TO FORCE
SENSOR WITHOUT IMPACT CAP, MODEL 6217
OR EQUIVALENT. CONSULT FACTORY FOR
SPECIAL IMPACT CAPS FOR YOUR
PARTICULAR APPLICATION.

EXCEPT AS OTHERWISE NOTED

ALL DIMENSIONS IN INCHES
TOLERANCE: .XXX ± ± .XX ± ±

SURFACE FINISH
EXCEPT AS NOTED ✓

BREAK EDGES TO DEBURR
RADIUS OR CHAMFER

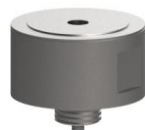
△ THESE DIAS ⊙ TO T.I.R.

FILLETS - MAX RAD.



CHATSWORTH, CA.

SCALE	1X	REV	DATE	ECN		
DATE	8/19/96	PART NO.	1060V1 - 1060V6			
DRAWN	N.C.	CHECKED	D.Z.			
APPROVED		NEXT ASSEMBLY	USED ON			
TITLE					DWG NO.	
OUTLINE/INSTALLATION DRAWING FORCE SENSOR, SERIES 1060V					127-1060V	
SHEET 1 OF 1						



- **DYNAMIC FORCE SENSOR**
- **VOLTAGE MODE**
- **EXCELLENT LINEARITY**

PHYSICAL

Weight, Max.
Connector
Housing
Sensing Element

Type
Thread
Material
Isolation
Material
Mode

ENGLISH		SI	
	16.10	oz	460
	Coaxial		Coaxial
	10-32		10-32
	Stainless steel		Stainless steel
	Case grounded		Case grounded
	Quartz		Quartz
	Compression		Compression

PERFORMANCE

Sensitivity, +/-10%
Compression Range
Maximum Compression, +/-5%
Tension Range
Maximum Tension [1], +/-5%
Resolution
Linearity [2]
Mounted Resonance (Unloaded)
Stiffness

	10	mV/Lb	2.25	mV/N
	500	Lbs.Force	2224	N
	10000	Lbs.Force	44480	N
	500	Lbs.Force	2224	N
	1000	Lbs.Force	4448	N
	0.007	Lb. RMS	0.03114	N RMS
	± 1	% Full Scale	± 1	% Full Scale
	≥ 75	kHz	≥ 75	kHz
	50	Lb/µin	8.66	kN/µm

ENVIRONMENTAL

Coefficient Of Thermal Sensitivity
Operating Temperature
Maximum Vibration
Maximum Shock
Environmental Seal

	0.03	%/°F	0.05	%/°C
	-100 to +250	°F	-73 to +121	°C
	±3000	g's,Peak	±29400	m/s^2 Peak
	5,000	g's,Peak	49,000	m/s^2 Peak
	Epoxy		Epoxy	

ELECTRICAL

Supply Current [3]
Compliance Voltage
Discharge Time Constant, Min.
F.S. Output Voltage
Output Impedance

	2 to 20	mA	2 to 20	mA
	18 to 30	VDC	18 to 30	VDC
	150	Seconds	150	Seconds
	5	Volts	5	Volts
	100	Ω	100	Ω

This family also includes:

Model	Sensitivity (mV/Lb)	Range (LbsF) Compressive, Tensile	Max Force (LbsF) Compressive, Tensile	Discharge Time Constant (Sec)
1060V2	5	1000, 1000	20000, 1000	300
1060V3	1	5000, 1000	30000, 1000	1500
1060V4	0.5	10000, 1000	40000, 1000	2000
1060V5	0.2	25000, 1000	50000, 1000	2000
1060V6	0.1	50000, 1000	60000, 1000	2000

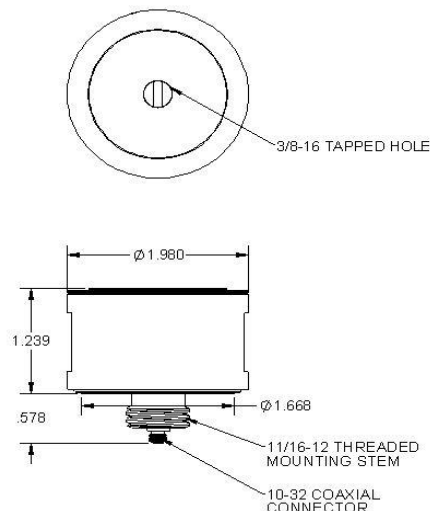
Refer to the performance specifications of the products in this family for detailed description

Supplied Accessories:

- 1) Accredited Calibration Certificate (ISO 17025)
- 2) MOD 6232 MOUNTING STUD

Notes:

- [1] **Absolute maximum tension. Do not exceed in any case!**
- [2] Percent of full scale or any lesser range, zero based best-fit straight line method.
- [3] Power these instruments only with constant current type power units. Do not connect to a source of voltage without current limiting. This will destroy the integral IC amplifier.



Units on the line drawing are in inches, units in brackets are in millimeters. Refer to 127-1060V for more information.

