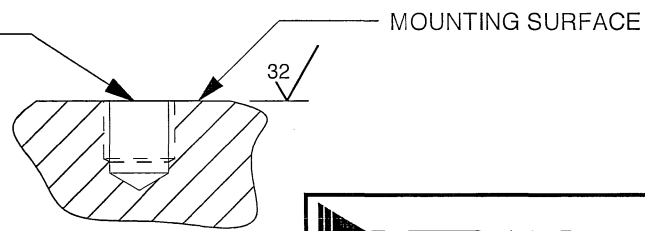


MOUNTING PREPARATION
PREPARE FLAT SURFACE (TO .001 TIR)
NEXT DRILL 5/16 (Ø.312) X .320 DEEP
BOTTOM TAP 3/8-16 UNC-2B X .300 MIN
THREAD DEPTH



REDRAWN ON CAD 9-9-96

4. DO NOT APPLY IMPACT LOADS TO FORCE SENSOR WITHOUT IMPACT CAP, MODEL 6217 OR EQUIVALENT. CONSULT FACTORY FOR SPECIAL IMPACT CAPS FOR YOUR PARTICULAR APPLICATION.
3. TORQUE TO 20-25 LB-FT AT INSTALLATION USING WRENCH ON WRENCH FLATS ONLY.
2. WEIGHT - 420 GRAMS
1. MATERIAL, HOUSING & CONNECTOR HOUSING: 300 SERIES STAINLESS STEEL. TOP AND BOTTOM SURFACES, 17-4 PH ST. STEEL

		<h1>MASTER ONLY IF IN RED</h1>		CHATSWORTH, CA.	
SCALE	1X	REV	DATE	ECN	
DATE	12/19/85	PART NO.	1061V		
DRAWN	N.C.	CHECKED	MAT'L		
APPROVED	N.C.	05/17/05	NEXT ASSEMBLY	USED ON	
TITLE				DWG NO.	
OUTLINE/INSTALLATION DRAWING FORCE SENSOR, SERIES 1061V				127-1061V	
				SHEET 1 OF 1	

Model Number 1061V1	PERFORMANCE SPECIFICATION	Doc No PS1061V1
	Force Sensors, IEPE	REV B, ECN 15074, 05/13/19



- DYNAMIC FORCE SENSOR
- VOLTAGE MODE
- EXCELLENT LINEARITY

	ENGLISH		SI	
Weight, Max.	15.82	oz	452	grams
Connector	Coaxial		Coaxial	
Thread	10-32		10-32	
Housing	Stainless steel		Stainless steel	
Isolation	Case grounded		Case grounded	
Sensing Element	Quartz		Quartz	
Mode	Compression		Compression	

PHYSICAL

Weight, Max.
Connector
Thread
Housing
Isolation
Sensing Element

Type
Material
Isolation
Material
Mode

PERFORMANCE

Sensitivity, +/-10%
Compression Range
Maximum Compression, +/-5%
Tension Range
Maximum Tension [1], +/-5%
Resolution
Linearity [2]
Mounted Resonance (Unloaded)
Stiffness

10	mV/Lb	2.25	mV/N
500	Lbs.Force	2224	N
10000	Lbs.Force	44480	N
500	Lbs.Force	2224	N
1000	Lbs.Force	4448	N
0.007	Lb. RMS	0.03114	N RMS
± 1	% Full Scale	± 1	% Full Scale
≥ 75	kHz	≥ 75	kHz
50	Lb/μin	8.66	kN/μm

ENVIRONMENTAL

Coefficient Of Thermal Sensitivity
Operating Temperature
Maximum Vibration
Maximum Shock
Environmental Seal

0.03	%/°F	0.05	%/°C
-100 to +250	°F	-73 to +121	°C
±3000	g's,Peak	±29400	m/s^2 Peak
5,000	g's,Peak	49,000	m/s^2 Peak
Epoxy		Epoxy	

ELECTRICAL

Supply Current [3]
Compliance Voltage
Discharge Time Constant, Min.
F.S. Output Voltage
Output Impedance
Bias Voltage

2 to 20	mA	2 to 20	mA
18 to 30	VDC	18 to 30	VDC
150	Seconds	150	Seconds
5	Volts	5	Volts
100	Ω	100	Ω
7.5 to 9.5	VDC	7.5 to 9.5	VDC

This family also includes:

Model	Sensitivity (mV/Lb)	Range (LbsF) Compressive, Tensile	Max Force (LbsF) Compressive, Tensile	Discharge Time Constant (Sec)
1061V2	5	1000, 1000	20000, 1000	300
1061V3	1	5000, 1000	30000, 1000	1500
1061V4	0.5	10000, 1000	40000, 1000	2000
1061V5	0.2	25000, 1000	50000, 1000	2000
1061V6	0.1	50000, 1000	60000, 1000	2000

Refer to the performance specifications of the products in this family for detailed description

Supplied Accessories:

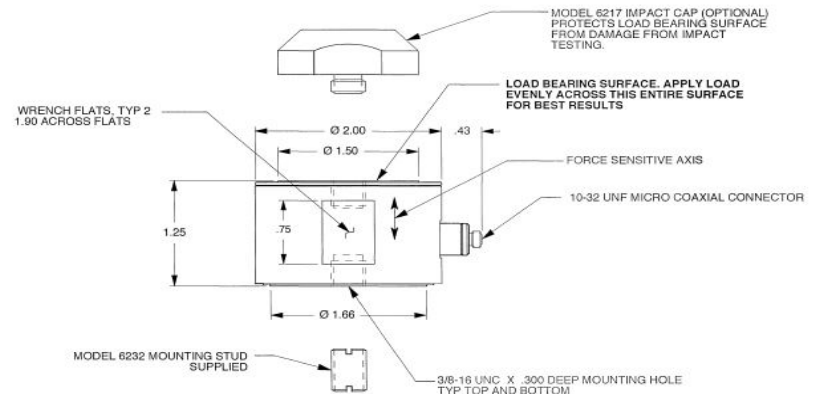
- 1) Accredited Calibration Certificate (ISO 17025)
- 2) MOD 6232 MOUNTING STUDS (2)

Available Accessories:

- 1) MOD 6217 STAINLESS STEEL IMPACT CAP

Notes:

- [1] Absolute maximum tension. Do not exceed in any case!
- [2] Percent of full scale or any lesser range, zero based best-fit straight line method.
- [3] Power these instruments only with constant current type power units. Do not connect to a source of voltage without current limiting. This will destroy the integral IC amplifier.
- [4] In the interest of constant product improvement, we reserve the right to change specifications without notice. It is the customer's responsibility to validate that a particular product with the properties described in the product specification is suitable for use in a particular application. Parameters provided in datasheets and / or specifications may vary in different applications and performance may vary overtime. All operating parameters, including typical parameters, must be validated for each customer application by the customer's technical experts.



Units on the line drawing are in inches, units in brackets are in millimeters. Refer to 127-1061V for more information.



21592 Marilla Street, Chatsworth, California 91311 Phone: 818.700.7818 Fax: 818.700.7880 www.dytran.com
For permission to reprint this content, please contact info@dytran.com