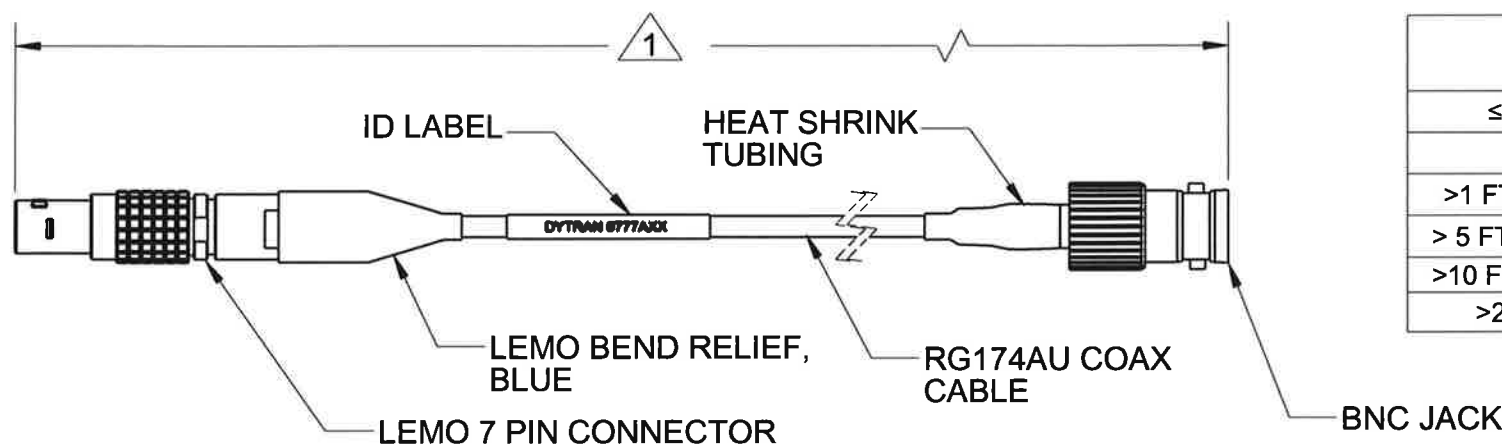


PROPRIETARY AND CONFIDENTIAL

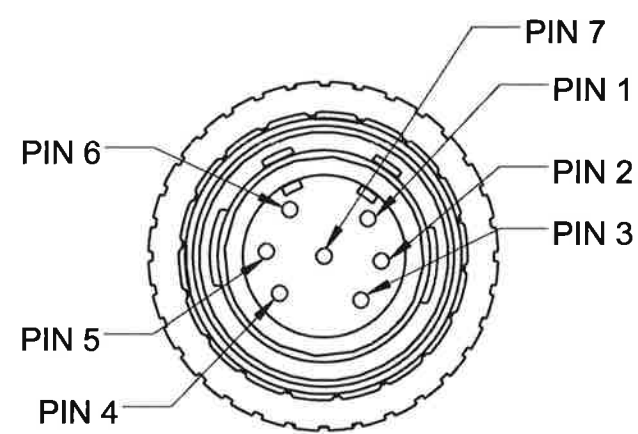
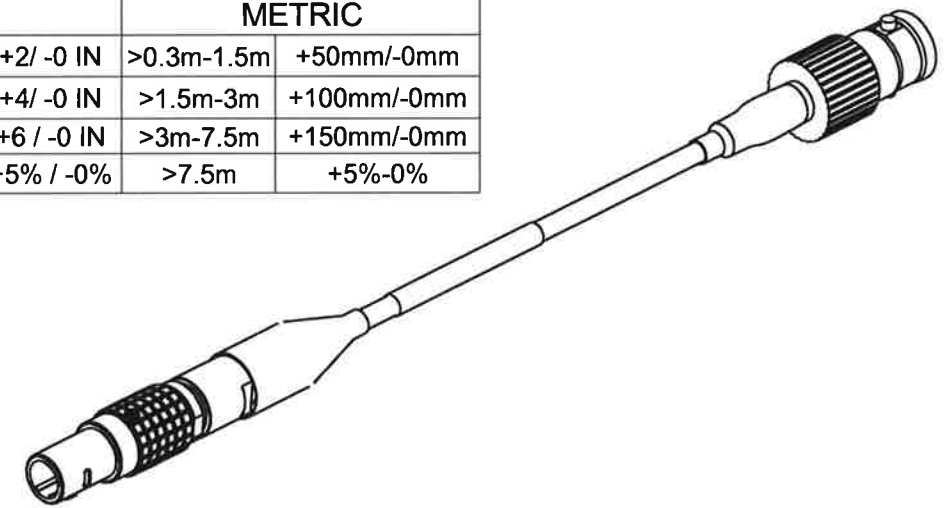
THE INFORMATION CONTAINED IN THIS DRAWING IS THE SOLE PROPERTY OF DYTRAN INSTRUMENTS INC. ANY REPRODUCTION IN PART OR AS A WHOLE WITHOUT THE WRITTEN PERMISSION OF DYTRAN INSTRUMENTS INC. IS PROHIBITED

REVISIONS

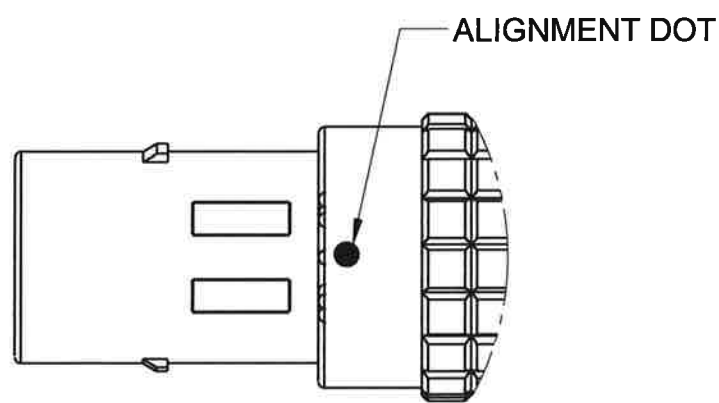
REV	ECN	DESCRIPTION	BY/DATE	CHK	APPR
B	12985	REVERSED PIN NUMBERING ORDER, DELETED NOTE 3. PIN NUMBERS ARE FOR REFERENCE ONLY AND DO NOT APPEAR ON ACTUAL PART	JS 10/03/16	LA	W



CABLE LENGTH TOLERANCE			
ENGLISH		METRIC	
≤1 FT	+1/ -0 IN	≤0.3m	+25mm/-0mm
>1 FT - 5 FT	+2/ -0 IN	>0.3m-1.5m	+50mm/-0mm
> 5 FT - 10 FT	+4/ -0 IN	>1.5m-3m	+100mm/-0mm
>10 FT - 25FT	+6 / -0 IN	>3m-7.5m	+150mm/-0mm
>25 FT	+5% / -0%	>7.5m	+5%-0%

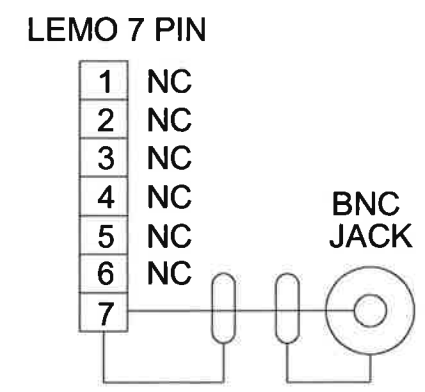


VIEW A-A SCALE 4 : 1



DETAIL B SCALE 4 : 1

RG174AU CABLE	
CONDUCTOR MATERIAL	COPPER
JACKET MATERIAL	PVC
BRAID MATERIAL	TINNED COPPER
OPERATING TEMPERATURE	-40 °F(-40 °C) TO 176 °F(+80 °C)
INSULATION MATERIAL	FHDPE
OUTSIDE DIAMETER NOM	.110



SCHEMATIC DIAGRAM

<small>UNLESS OTHERWISE SPECIFIED: INTERPRET DIM & TOL PER ASME Y14.5M - 1994. REMOVE BURRS. COUNTERSINK INTERNAL THDS 90° TO MAJOR DIA. CHAM EXT THDS 45° TO MINOR DIA. THD LENGTHS AND DEPTHS ARE FOR MIN FULL THDS. DIMENSIONS APPLY AFTER FINISHING.</small>	<small>UNLESS OTHERWISE SPECIFIED: DIMENSIONS ARE IN INCHES. DIMENSIONS IN BRACKETS [] ARE IN MILLIMETERS TOLERANCES ARE:</small>			MASTER ONLY IF IN RED		
	<small>DECIMALS .XX ±.03 .XXX ±.010</small>	<small>METRIC .X ± 0.8 .XX ±0.25</small>				<small>ANGLES ±1°</small>
	APPROVALS			DATE	TITLE:	
	<small>ALL MACHINED SURFACES. TOTAL RUNOUT WITHIN .005. BREAK SHARP EDGES .005 TO .010. MACHINED FILLET RADII .005 TO .015. WELDING SYMBOLS PER AWS A2.4. ABBREVIATIONS PER MIL-STD-12.</small>	<small>DO NOT SCALE DRAWING</small>			ORIG JS CHK EC APP DV	DATE 01/21/14 05/07/14 05/07/14
<small>2. TEMPERATURE RATING -40°F (-40°C) TO 176°F (+80°C)</small>			OUTLINE/INSTALLATION DRAWING, 6777A		SHEET 1 OF 1	
<small>1 PART NO. 6777AXX, XX DENOTES LENGTH IN FEET. NOTES: UNLESS OTHERWISE SPECIFIED</small>			SCALE: NONE		127-6777A	

3 DELETED

2. TEMPERATURE RATING -40°F (-40°C) TO 176°F (+80°C)

1 PART NO. 6777AXX, XX DENOTES LENGTH IN FEET.

NOTES: UNLESS OTHERWISE SPECIFIED