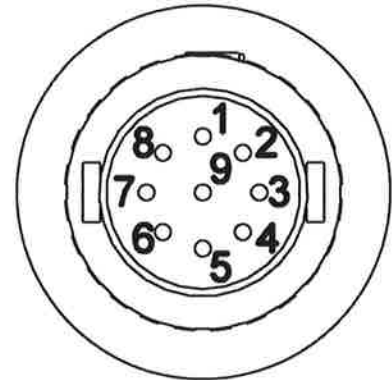
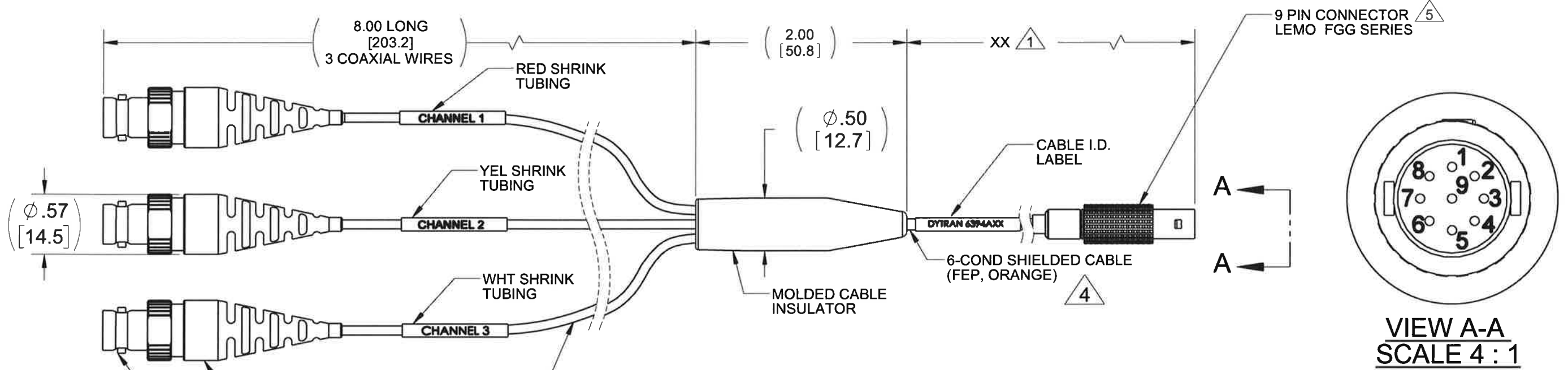


PROPRIETARY AND CONFIDENTIAL

THE INFORMATION CONTAINED IN THIS DRAWING IS THE SOLE PROPERTY OF DYTRAN INSTRUMENTS INC. ANY REPRODUCTION IN PART OR AS A WHOLE WITHOUT THE WRITTEN PERMISSION OF DYTRAN INSTRUMENTS INC. IS PROHIBITED

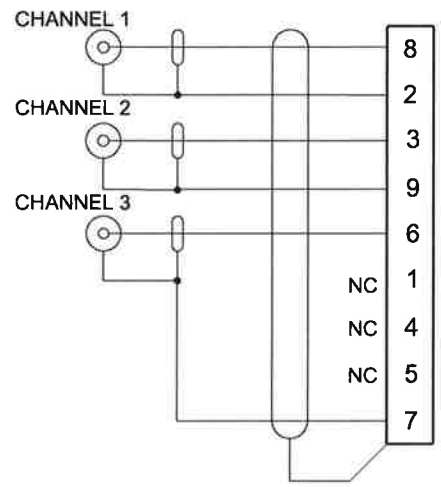
REVISIONS

REV	ECN	DESCRIPTION	BY/DATE	CHK	APPR
B	12758	UPDATE LEMO CONNECTOR VIEW A-A	NDC 07/14/16	LA	AS



VIEW A-A SCALE 4:1

△3 SINGLE CONDUCTOR SHIELDED CABLE	
AWG	30-7/38 SILVER PLATED COPPER
TEMP	200 DEG C WIRE RATED
DIAMETER	Ø.074±.006
WITHSTANDING VOLTAGE	2000 VAC
JACKET	WHT PTFE WRAP .005-.010 WALL
CONDUCTOR INSULATION	EXTRUDED PTFE, NATURAL, Ø.033 ±.002
CAPACITANCE (SHIELD TO CONDUCTOR)	32 pF/FT
IMPEDANCE	50 OHMS
INDUCTANCE	.80 microH/FT
SHIELD	38 AWG SILVER PLATED COPPER BRAID, 95% MIN COVERAGE, Ø.054 NOM
MINIMUM BEND RADIUS	.38 IN



SCHEMATIC

△1 CABLE LENGTH TOLERANCE			
ENGLISH		[METRIC]	
≤1FT	+1/-0 IN	≤0.3m	+25mm -0mm
>1 FT - 5 FT	+2/-0 IN	>.0.3 m-1.5m	+50mm -0mm
> 5 FT - 10 FT	+4/-0 IN	>1.5m-3m	+100mm -0mm
>10 FT - 25FT	+6 / -0 IN	>3m-7.5m	+150mm -0mm
>25 FT	+5% / -0%	>7.5m	+5%/-0%

△4 CABLE, 6-CONDUCTOR, SHIELDED	
CONDUCTORS	30 AWG 7/38 SILVER PLATED COPPER
TEMP RATING	+200° C (+392° F)
VOLTAGE RATING	250 VOLTS
SHIELD	SILVER PLATED COPPER BRAID, 90% MIN COVERAGE
JACKET	FEP, ORANGE, .006/.015 WALL
DIAMETER	Ø.111 [2.81mm] NOM / Ø.135 [3.43mm] MAX

- △5 CONNECTOR MATES WITH LEMO PART NO. ECG.0B.309.CLL
  - △4 SEE TABLE FOR CABLE SPECIFICATIONS
  - △3 SEE TABLE FOR CABLE SPECIFICATIONS
  - 2. TEMPERATURE RATING: -55°C TO 120°C
  - △1 PART NO: 6394AXX (XX DENOTES LENGTH IN FEET).
- NOTES: UNLESS OTHERWISE SPECIFIED

UNLESS OTHERWISE SPECIFIED:  
 INTERPRET DIM & TOL PER ASME Y14.5M - 1994.  
 REMOVE BURRS.  
 COUNTERSINK INTERNAL THDS 90° TO MAJOR DIA.  
 CHAM EXT THDS 45° TO MINOR DIA. THD LENGTHS AND DEPTHS ARE FOR MIN FULL THDS.  
 DIMENSIONS APPLY AFTER FINISHING.

ALL MACHINED SURFACES.  
 TOTAL RUNOUT WITHIN .005.  
 BREAK SHARP EDGES .005 TO .010.  
 MACHINED FILLET RADII .005 TO .015.  
 WELDING SYMBOLS PER AWS A2.4.  
 ABBREVIATIONS PER MIL-STD-12.

APPROVALS			DATE		
ORIG	JS		09/23/15		
CHK	LA		01/19/16		
APP	RT		01/20/16		

UNLESS OTHERWISE SPECIFIED:  
 DIMENSIONS ARE IN INCHES.  
 DIMENSIONS IN BRACKETS [ ] ARE IN MILLIMETERS TOLERANCES ARE:

DECIMALS    METRIC    ANGLES  
 .XX ±.03    .X ± 0.8    ±1°  
 .XXX ±.010    .XX ±0.25

**DYTRAN INSTRUMENTS, INC.** Chatsworth, CA

**MASTER ONLY IF IN RED**

TITLE: **OUTLINE/INSTALLATION DRAWING, BNC JACK (3) TO 9 PIN LEMO, 6394A**

SIZE **B**    CAGE CODE **2W033**    DWG NO **127-6394A**    REV **B**

DO NOT SCALE DRAWING    SCALE: 1:2    SHEET 1 OF 1