

PROPRIETARY AND CONFIDENTIAL

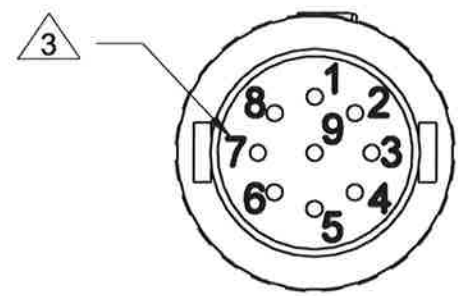
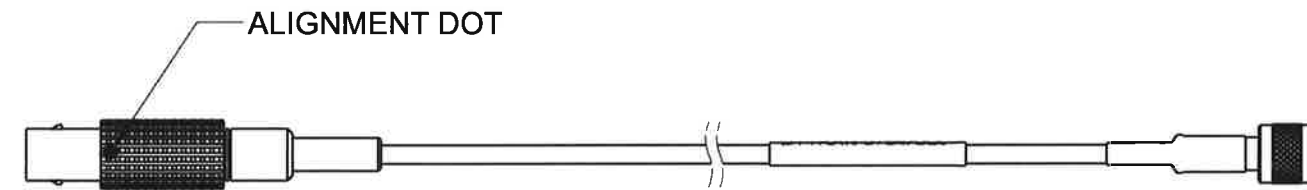
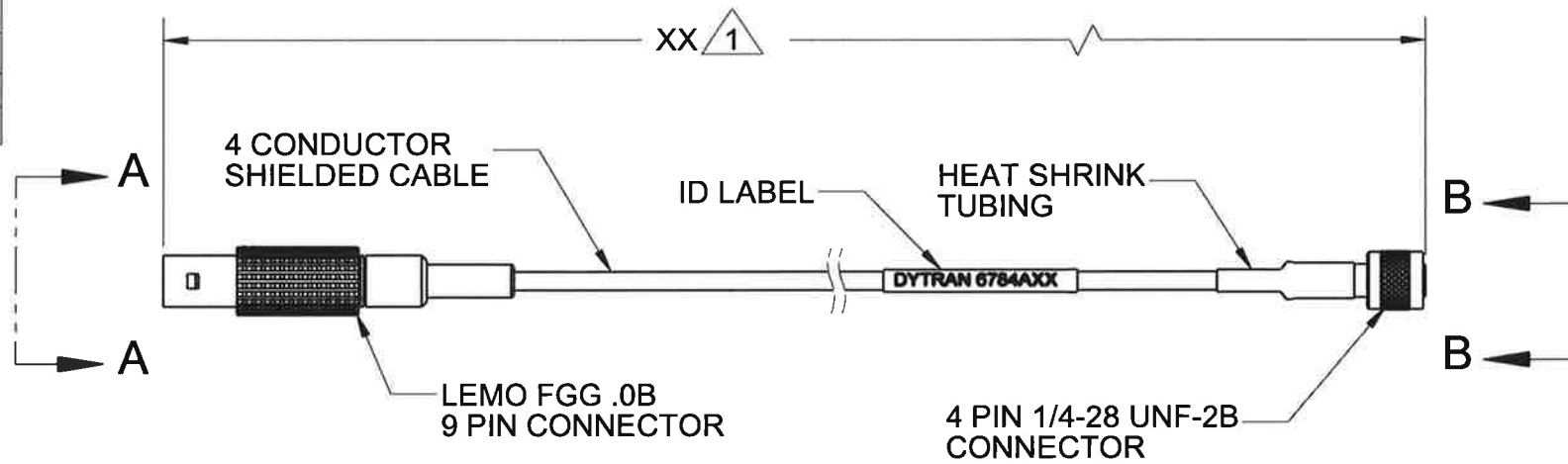
THE INFORMATION CONTAINED IN THIS DRAWING IS THE SOLE PROPERTY OF DYTRAN INSTRUMENTS INC. ANY REPRODUCTION IN PART OR AS A WHOLE WITHOUT THE WRITTEN PERMISSION OF DYTRAN INSTRUMENTS INC. IS PROHIBITED

REVISIONS

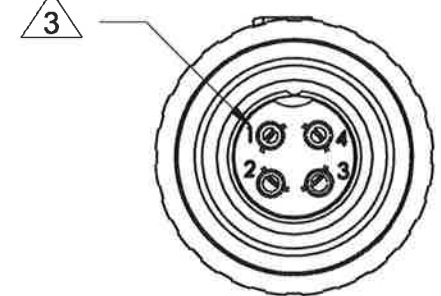
REV	ECN	DESCRIPTION	BY/DATE	CHK	APPR
B	12758	UPDATED VIEW OF LEMO CONNECTOR VIEW A-A	NDC 07/13/16	W	AS

**1** CABLE LENGTH TOLERANCE

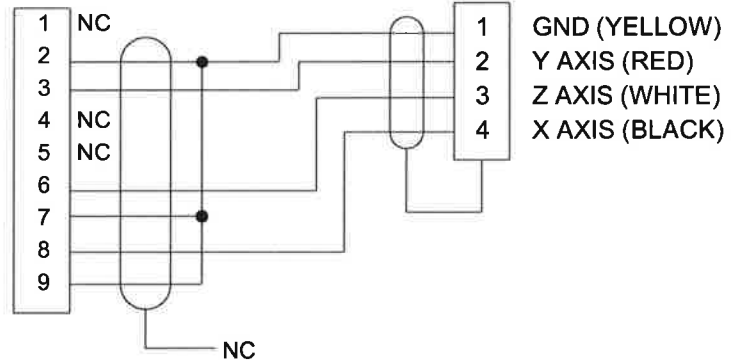
≤1FT	+1/ -0 IN
>1 FT - 5 FT	+2/ -0 IN
> 5 FT - 10 FT	+4/ -0 IN
>10 FT - 25FT	+6 / -0 IN
>25 FT	+5% / -0%



VIEW A-A SCALE 4:1



VIEW B-B SCALE 4:1



SCHEMATIC DIAGRAM

4 CONDUCTOR SHIELDED CABLE	
VOLTAGE	250 VOLTS
TEMPERATURE	200 °C
JACKET	FEP, COLOR BLACK
SHIELDING	SILVER PLATED COPPER
CONDUCTORS	30 AWG 7/38 SILVER PLATED COPPER
CABLING	M27500-1/2"
FILLER	NONE
DIAMETER	MIN .095/.105 MAX

- 3** PIN NUMBERS SHOWN ARE FOR REFERENCE ONLY AND DO NOT APPEAR ON ACTUAL PART
  - 2.** TEMPERATURE RATING -67 °F (-55 °C) TO +230 °F (+110 °C)
  - 1** PART NO. 6784AXX, XX DENOTES LENGTH IN FEET.
- NOTES: UNLESS OTHERWISE SPECIFIED

UNLESS OTHERWISE SPECIFIED:  
 INTERPRET DIM & TOL PER ASME Y14.5M - 1994.  
 REMOVE BURRS.  
 COUNTERSINK INTERNAL THDS 90° TO MAJOR DIA.  
 CHAM EXT THDS 45° TO MINOR DIA.  
 THD LENGTHS AND DEPTHS ARE FOR MIN FULL THDS.  
 DIMENSIONS APPLY AFTER FINISHING.

ALL MACHINED SURFACES.  
 TOTAL RUNOUT WITHIN .005.  
 BREAK SHARP EDGES .005 TO .010.  
 MACHINED FILLET RADII .005 TO .015.  
 WELDING SYMBOLS PER AWS A2.4.  
 ABBREVIATIONS PER MIL-STD-12.

DECIMALS	METRIC	ANGLES
.XX ±.03	.X ± 0.8	±1°
.XXX ±.010	.XX ±0.25	

APPROVALS		DATE
ORIG	JS	05/29/14
CHK	LA	02/13/15
APP	LN	02/16/15

DO NOT SCALE DRAWING

THIRD ANGLE PROJECTION USA

**DYTRAN INSTRUMENTS, INC.** Chatsworth, CA

**MASTER ONLY IF IN RED**

TITLE: **OUTLINE/INSTALLATION DRAWING, 6784A**

SIZE <b>B</b>	CAGE CODE <b>2W033</b>	DWG NO <b>127-6784A</b>	REV <b>B</b>
---------------	------------------------	-------------------------	--------------

SCALE: NONE SHEET 1 OF 1