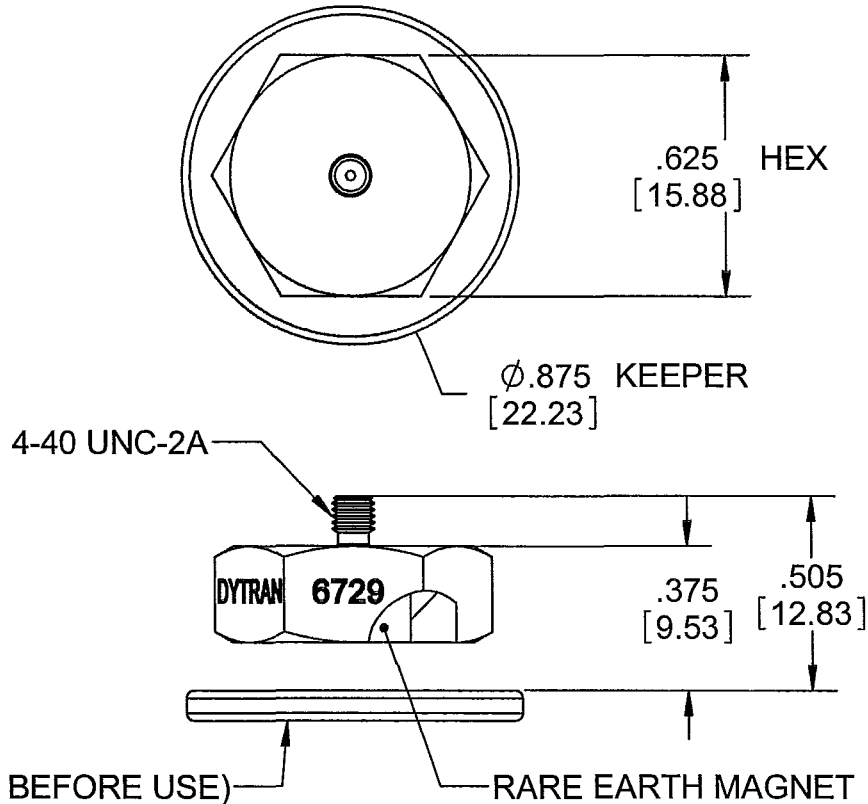


**PROPRIETARY AND CONFIDENTIAL**

THE INFORMATION CONTAINED IN THIS DRAWING IS THE SOLE PROPERTY OF DYTRAN INSTRUMENTS INC. ANY REPRODUCTION IN PART OR AS A WHOLE WITHOUT THE WRITTEN PERMISSION OF DYTRAN INSTRUMENTS, INC. IS PROHIBITED

**REVISIONS**

REV.	ECN	DESCRIPTION	BY/DATE	CHK	APPR
A	5216	INITIAL RELEASE	RA, 5/6/08	CES	NC
B	9529	ADDED NOTE 1. ADDED METRIC DIMENSIONS	AB 01/11/13	JS	<i>[Signature]</i>



KEEPER (REMOVE BEFORE USE) — RARE EARTH MAGNET

1. RETENTIVE FORCE: 4.1 lbf [18 N] TYPICAL.

DRILL HOLE SIZE	TOLERANCE
.0135 THRU .125	+0.004 / -.001
.1260 THRU .250	+0.005 / -.001
.2510 THRU .500	+0.006 / -.001
.5010 THRU .750	+0.008 / -.001
.7510 THRU 1.000	+0.010 / -.001
1.001 THRU 2.000	+0.012 / -.001

UNLESS OTHERWISE SPECIFIED:  
 INTERPRET DIM & TOL PER ASME Y14.5M - 1994.  
 REMOVE BURRS.  
 COUNTERSINK INTERNAL THDS 90° TO MAJOR DIA.  
 CHAM EXT THDS 45° TO MINOR DIA.  
 THD LENGTHS AND DEPTHS ARE FOR MIN FULL THDS.  
 THDS PER MIL-S-7742.  
 DIMENSIONS APPLY AFTER FINISHING.  
 ALL MACHINED SURFACES.  
 TOTAL RUNOUT WITHIN .005.  
 BREAK SHARP EDGES .005 TO .010.  
 MACHINED FILLET RADII .005 TO .015.  
 WELDING SYMBOLS PER AWS A2.4.  
 ABBREVIATIONS PER MIL-STD-12.

UNLESS OTHERWISE SPECIFIED:  
 DIMENSIONS ARE IN INCHES.  
 TOLERANCES ARE:  
 DECIMALS ANGLES  
 .XX ± .010 ± 1°  
 .XXX ± .005

MATERIAL  
 FINISH  
 DO NOT SCALE DRAWING

CONTRACT NO.	
APPROVALS	DATE
ORIG RA	5/6/08
CHK CES	5/8/08
APP NC	5/8/08
APP	

**DYTRAN INSTRUMENTS, INC. MASTER**  
ONLY IF IN RED

TITLE: **OUTLINE/INSTALLATION DRAWING, MAGNETIC MOUNTING BASE, MODEL 6729**

SIZE <b>A</b>	CAGE CODE <b>2W033</b>	DWG. NO. <b>127-6729</b>	REV <b>B</b>
SCALE: 4:1	SOLIDWORKS	SHEET 1 OF 1	