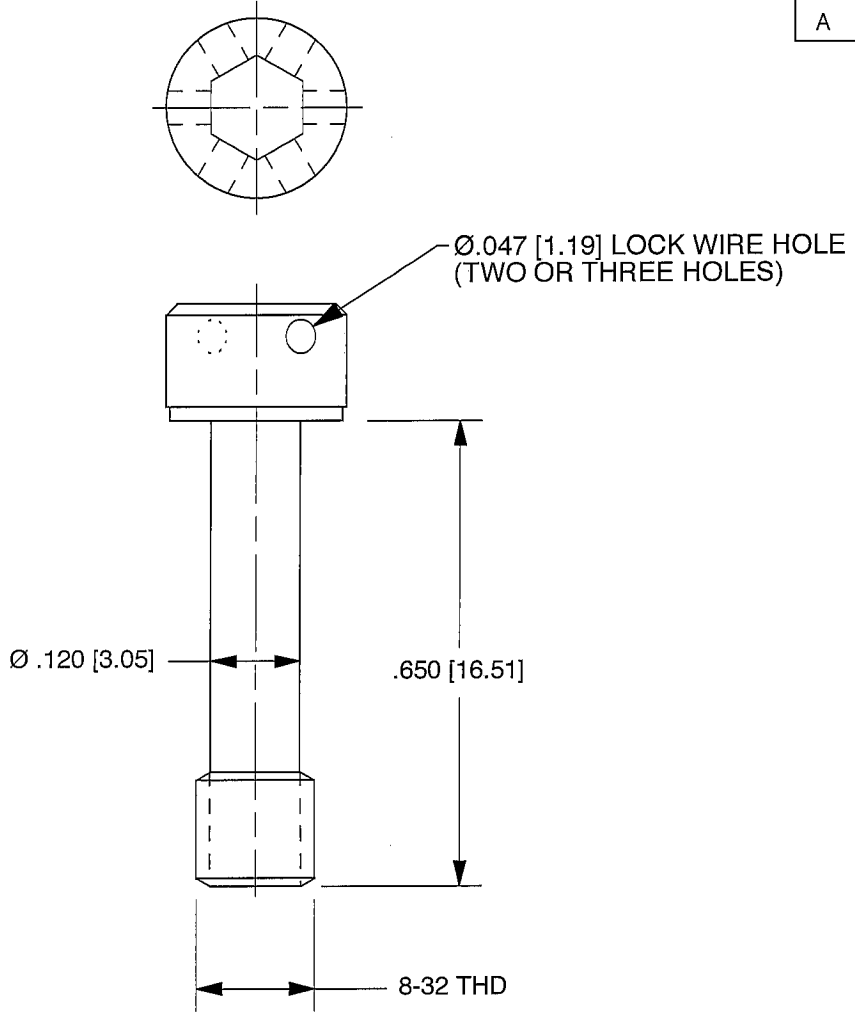


REV	ECN	DESCRIPTION	BY/DATE	CHK	APPR
A	9795	INITIAL RELEASE	AB 04/01/13	RA	



1 MATERIAL: STAINLESS STEEL.

EXCEPT AS OTHERWISE NOTED

ALL DIMENSIONS IN INCHES
TOLERANCE: .XXX = ± .XX = ± .01

SURFACE FINISH
EXCEPT AS NOTED ✓

BREAK EDGES TO DEBURR
RADIUS OR CHAMFER

THESE DIAS TO T.I.R.

FILLETS - MAX RAD.

		MASTER		CHATSWORTH, CA.	
SCALE 4X		REV -		DATE 9/4/97	
DATE 9/4/97		PART NO. 6238A1		USED ON 3168 SERIES	
DRAWN N.C.		CHECKED RA		MATERIAL SEE NOTE 1	
APPROVED DW 5/8/13		NEXT ASSEMBLY		DWG NO. 127-6238A1	
TITLE OUTLINE DRAWING, MODEL 6238A1 CAPTIVE MOUNTING SCREW, 8-32 W/LOCKWIRE HOLES				SHEET 1 OF 1	