

PROPRIETARY AND CONFIDENTIAL

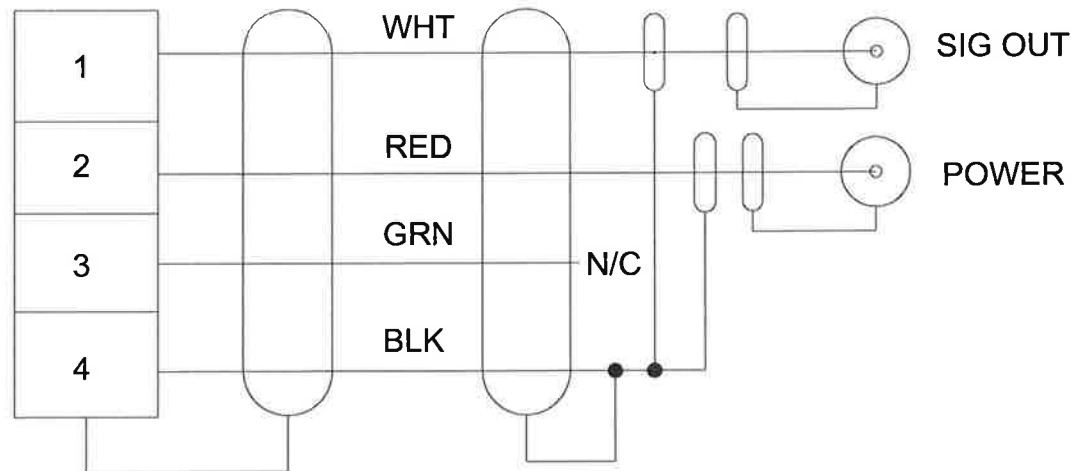
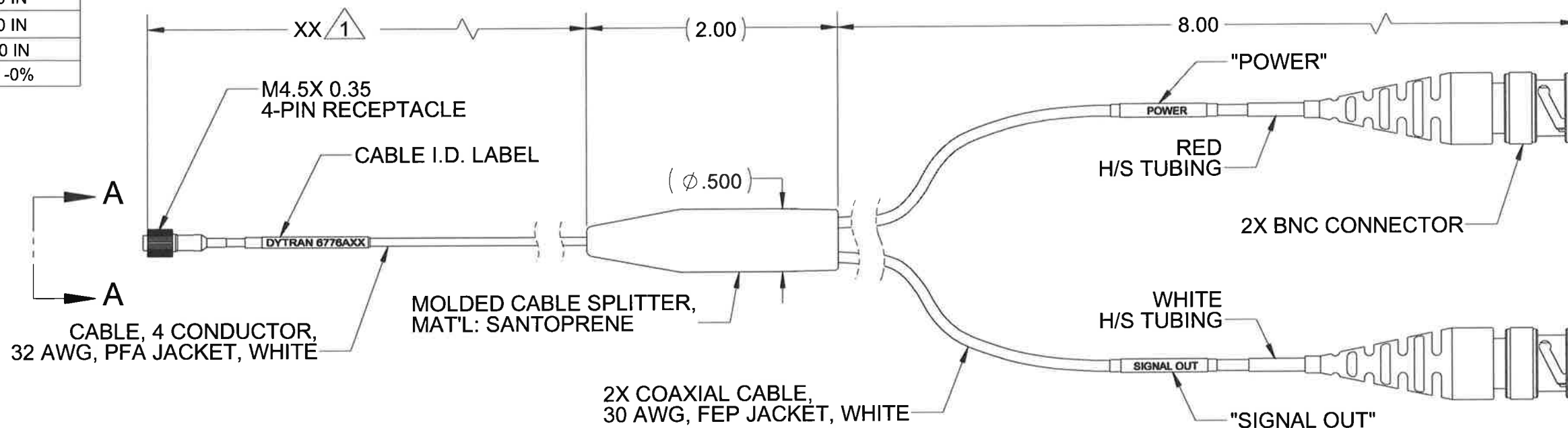
THE INFORMATION CONTAINED IN THIS DRAWING IS THE SOLE PROPERTY OF DYTRAN INSTRUMENTS INC. ANY REPRODUCTION IN PART OR AS A WHOLE WITHOUT THE WRITTEN PERMISSION OF DYTRAN INSTRUMENTS INC. IS PROHIBITED

REVISIONS

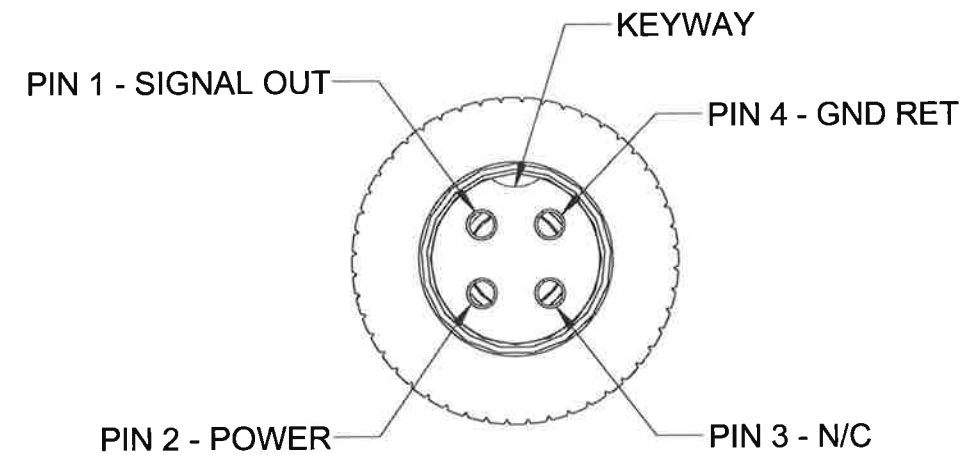
| REV. | ECN | DESCRIPTION | BY/DATE | CHK | APPR |
|------|-------|-----------------|----------------|-----|------|
| A | 10745 | INITIAL RELEASE | JS 01/29/14 | EM | AS |

1 CABLE LENGTH TOLERANCE

| | |
|----------------|------------|
| ≤1FT | +1/ -0 IN |
| >1 FT - 5 FT | +2/ -0 IN |
| > 5 FT - 10 FT | +4/ -0 IN |
| >10 FT - 25FT | +6 / -0 IN |
| >25 FT | +5% / -0% |



SCHMATIC DIAGRAM



VIEW A-A
SCALE 8 : 1

2. FOR USE WITH MODEL 7705A SERIES.

1 PART NUMBER: 6776AXX, "XX" DENOTES LENGTH IN FEET.

NOTES: UNLESS OTHERWISE SPECIFIED

UNLESS OTHERWISE SPECIFIED:
 INTERPRET DIM & TOL PER ASME Y14.5M - 1994.
 REMOVE BURRS.
 COUNTERSINK INTERNAL THDS 90° TO MAJOR DIA.
 CHAM EXT THDS 45° TO MINOR DIA.
 THD LENGTHS AND DEPTHS ARE FOR MIN FULL THDS.
 DIMENSIONS APPLY AFTER FINISHING.

ALL MACHINED SURFACES:
 TOTAL RUNOUT WITHIN .005.
 BREAK SHARP EDGES .005 TO .010.
 MACHINED FILLET RADII .005 TO .015.
 WELDING SYMBOLS PER AWS A2.4.
 ABBREVIATIONS PER MIL-STD-12.

UNLESS OTHERWISE SPECIFIED:
 DIMENSIONS ARE IN INCHES
 DIMENSIONS IN BRACKETS [] ARE IN MILLIMETERS
 TOLERANCES ARE:

| DECIMALS | METRIC | ANGLES |
|-------------|------------|--------|
| .XX ± .03 | .X ± 0.8 | ± 1° |
| .XXX ± .010 | .XX ± 0.25 | |

APPROVALS DATE

| ORIG | LN | DATE |
|------|----|---------|
| CHK | EM | 2/14/14 |
| APP | AS | 2/14/14 |

DO NOT SCALE DRAWING

THIRD ANGLE PROJECTION
USA

DYTRAN INSTRUMENTS, INC.
 MASTER COPY ONLY IF IN RED
 Chatsworth, CA

TITLE: **OUTLINE/INSTALLATION DWG, CABLE ASSY, 4-PIN TO (2) BNC, MODEL 6776A**

| SIZE | CAGE CODE | DWG NO | REV |
|------|-----------|-----------|-----|
| B | 2W033 | 127-6776A | A |

SCALE: 1:1 SHEET 1 OF 1