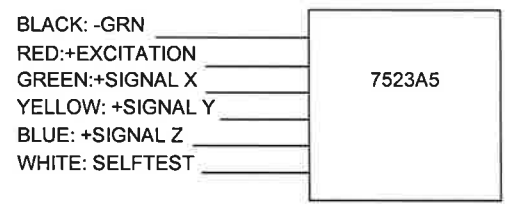
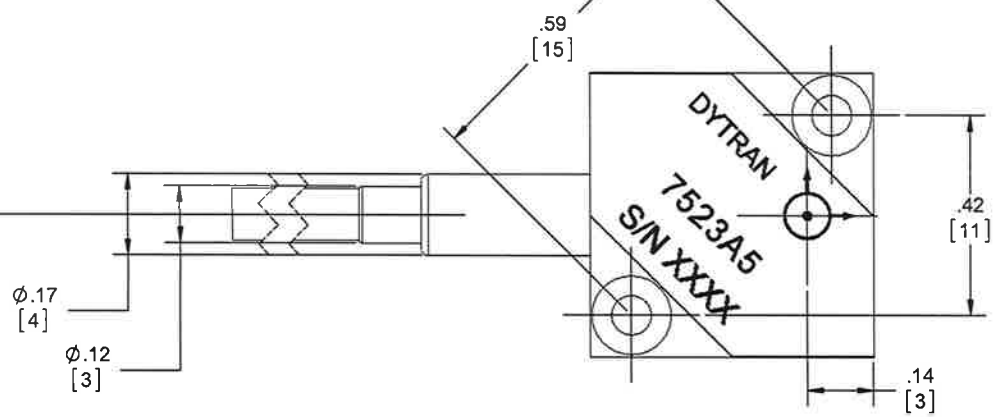


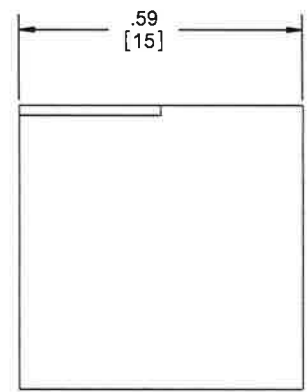
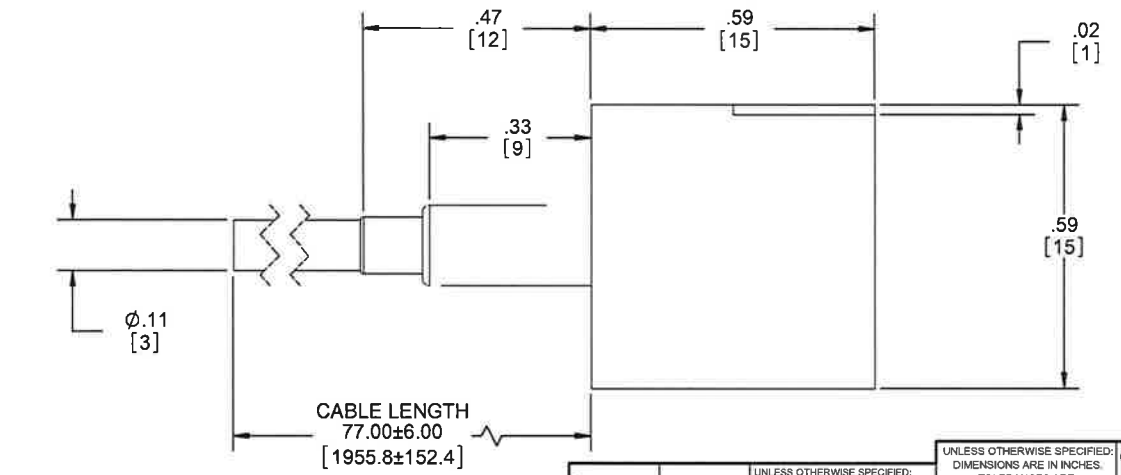
**PROPRIETARY AND CONFIDENTIAL**

THE INFORMATION CONTAINED IN THIS DRAWING IS THE SOLE PROPERTY OF DYTRAN INSTRUMENTS INC. ANY REPRODUCTION IN PART OR AS A WHOLE WITHOUT THE WRITTEN PERMISSION OF DYTRAN INSTRUMENTS INC IS PROHIBITED.

REVISIONS					
REV.	ECN	DESCRIPTION	BY/DATE	CHK	APPR
B	5263	REVERSED POLARITY MARKING & ARROWS	JS 06/05/08	RA	DV
C	5630	ADDED X,Y,Z ARROWS	JS 12/02/08	RA	DV
D	8496	REVISED ARROW LOCATIONS	JS 04/09/12	LN	DV
E	9672	ADDED CABLE LENGTH	AB 03/04/13	JS	DV
F	11273	ADDED NOTE 1	AS 09/22/14	<i>AS</i>	<i>AS</i>



**WIRING DIAGRAM**



1 RECOMMENDED MOUNTING TORQUE 6-7 LB-IN

NOTES: UNLESS OTHERWISE SPECIFIED

DRILL HOLE SIZE	TOLERANCE	UNLESS OTHERWISE SPECIFIED: INTERPRET DIM & TOL PER ASME Y14.5M - 1994.
.0135 THRU .125	+0.004 / -0.001	REMOVE BURRS
.1250 THRU .250	+0.005 / -0.001	COUNTERSINK INTERNAL THDS 90° TO MAJOR DIA.
.2510 THRU .500	+0.006 / -0.001	CHAM EXT THDS 45° TO MINOR DIA.
.5010 THRU .750	+0.008 / -0.001	THD LENGTHS AND DEPTHS ARE FOR MIN FULL THDS.
.7510 THRU 1.000	+0.010 / -0.001	THDS PER MIL-S-7742.
1.001 THRU 2.000	+0.012 / -0.001	DIMENSIONS APPLY AFTER FINISHING.

THIRD ANGLE PROJECTION USA	

UNLESS OTHERWISE SPECIFIED: DIMENSIONS ARE IN INCHES. TOLERANCES ARE:	
DECIMALS XX ± .010 XXX ± .005	ANGLES ± 1°
MATERIAL: ALUMINUM ALLOY	CONTRACT NO.
FINISH:	APPROVALS
DO NOT SCALE DRAWING	DATE

**MASTER COPY**  
DYTRAN INSTRUMENTS, INC. Chatsworth, CA

TITLE: **DC ACCELEROMETER, TRIAXIAL, 50g**

ORIG	DV	01/18/08
CHK	CES	03/14/08
APP	PML	03/14/08
APP	<i>DV</i>	<i>10/10/14</i>

SIZE	CAGE CODE	DWG NO	REV
B	2W033	127-7523A5	F

SCALE: 4:1 SOLIDWORKS SHEET 1 of 1

<b>Model Number</b> 7523A5	<b>PERFORMANCE SPECIFICATION</b>	<b>Doc No</b> PS7523A5
<b>Variable Capacitance Triaxial Accelerometer</b>		REV A, ECN 13334, 03/20/17



- **COST EFFECTIVE**
- **MINIATURE**
- **LOW CURRENT CONSUMPTION**

**PHYSICAL**  
 Mass  
 Mounting  
 Integral cable  
 Housing

ENGLISH		SI	
< 0.53	oz	< 15	grams
M2 x 12 flathead		M2 x 12 flathead	
6.56	ft	2	meter
Anodized Aluminum		Anodized Aluminum	

**PERFORMANCE**  
 Sensitivity, ±20% [1]  
 Input Range  
 Frequency Range, ±3dB  
 Resonant Frequency  
 Non-Linearity  
 Transverse Sensitivity  
 Output Noise (typical)

36	mV/g	3.67	mV/m/s <sup>2</sup>
±50	G	±490.5	m/s <sup>2</sup>
0-400	Hz	0-400	Hz
5,000	Hz	5,000	Hz
0.3	%	0.3	%
< 5	%	< 5	%
125	mGrms	1226	mm/s <sup>2</sup> rms

**ENVIRONMENTAL**  
 Maximum Mechanical Shock  
 Operating Temperature  
 Compensated Temperature Range (CTR)  
 Thermal Zero Drift in CTR  
 Thermal Sensitivity Drift in CTR  
 Storage Temperature  
 Ingress Protection

4,000	g's, Peak	39,240	m/s <sup>2</sup> peak
-67 to +257	°F	-55 to +125	°C
-4 to +158	°F	-20 to +70	°C
< ±0.017	%FS/°F	< ±0.03	%FS/°C
< ±0.011	%FS/°F	< ±0.02	%FS/°C
-67 to +302	°F	-55 to +150	°C
IP 65		IP 65	

**Electrical**  
 Current Consumption (nominal)  
 Excitation, regulated  
 Output Impedance  
 Output Bias, ±15%  
 Output Range  
 Isolation

500	µA	500	µA
4.8 - 5.2	VDC	4.8 - 5.2	VDC
< 500	Ω	< 500	Ω
2.5	V	2.5	V
±1.8	V	±1.8	V
Case grounded		Case grounded	

**This family also includes:**

Model	Sensitivity (mV/g)	Input Range (g)	Output Noise (mGrms)	Frequency Range (Hz)
7523A1	550	±2	15.0	0-1500
7523A2	280	±5	12.5	0-1500
7523A3	93	±15	37.5	0-1500

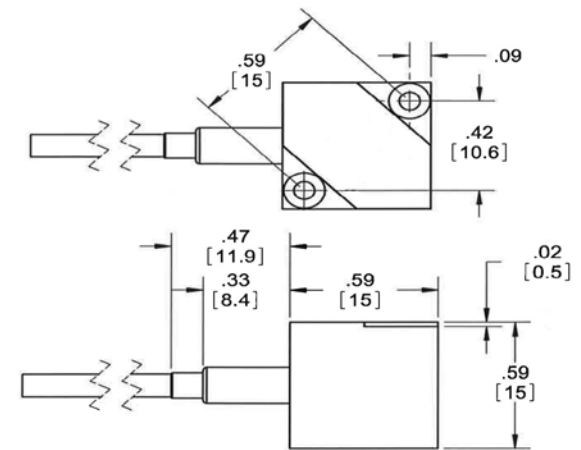
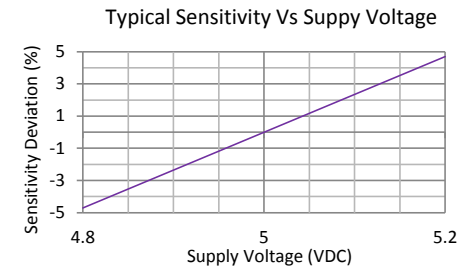
Please, refer to the performance specifications of the products in this family for detailed description

**Supplied Accessories:**

- 1) Accredited calibration certificate (ISO 17025)
- 2) Mounting Screws, Model 6722, M2 x 12 flathead, qty. 2

**Notes:**

[1] Measured at 100 Hz, 5 Grms per ISA RP 37.2



Units on the line drawing are in inches, units in brackets are in millimeters. Refer to 127-7523A5 for more information.



21592 Marilla Street, Chatsworth, California 91311 Phone: 818.700.7818 Fax: 818.700.7880 www.dytran.com  
 For permission to reprint this content, please contact info@dytran.com