

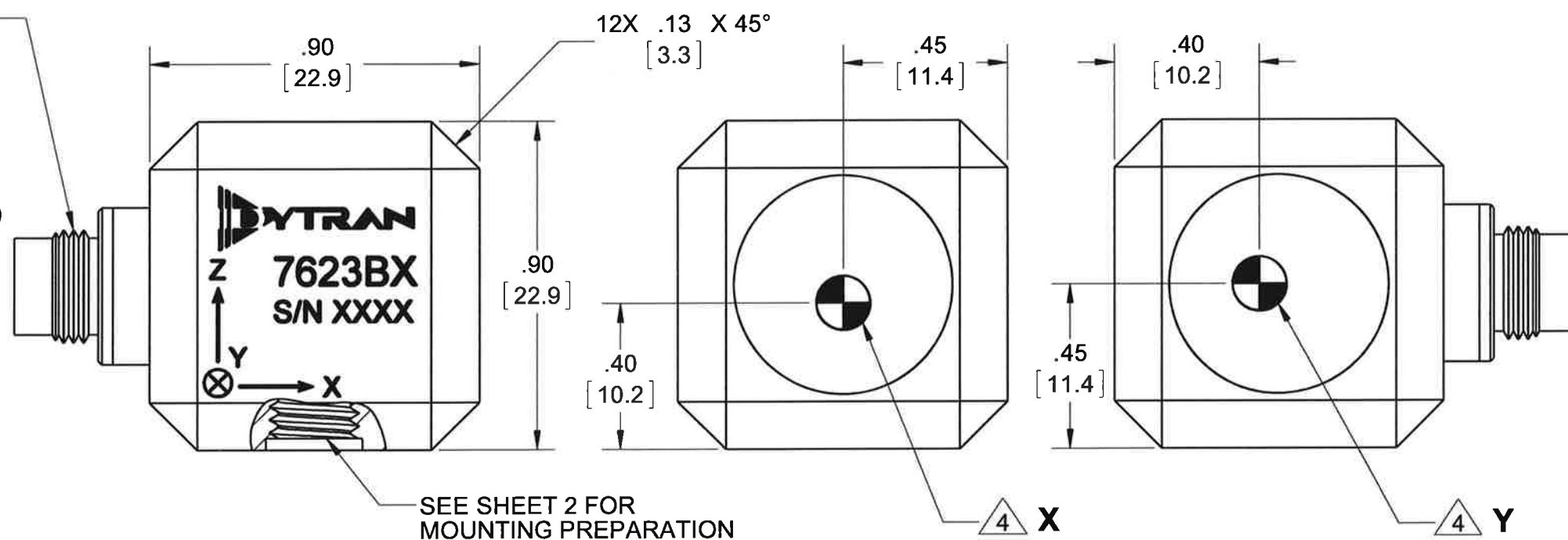
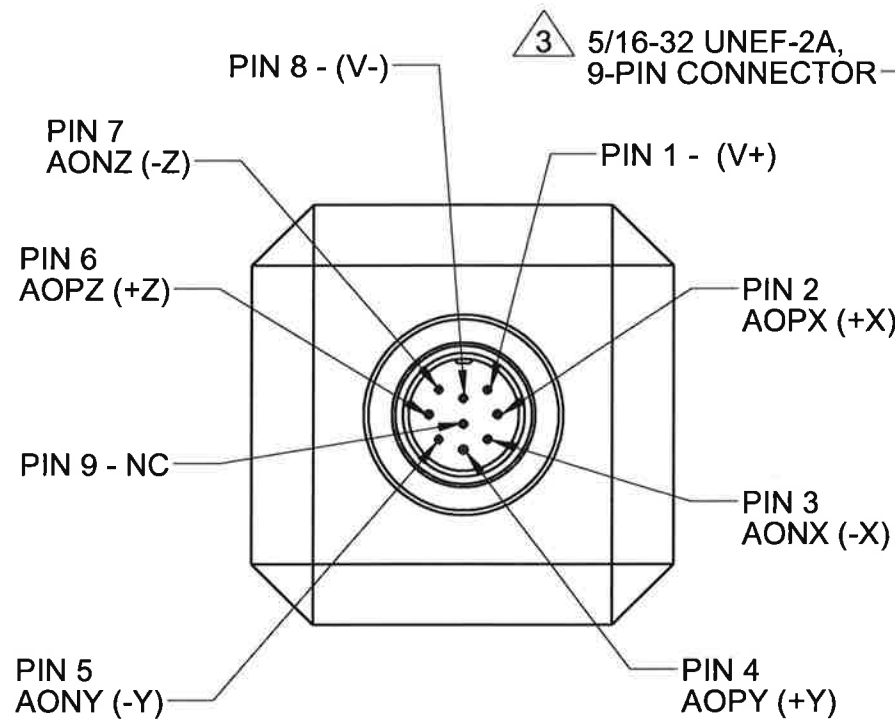
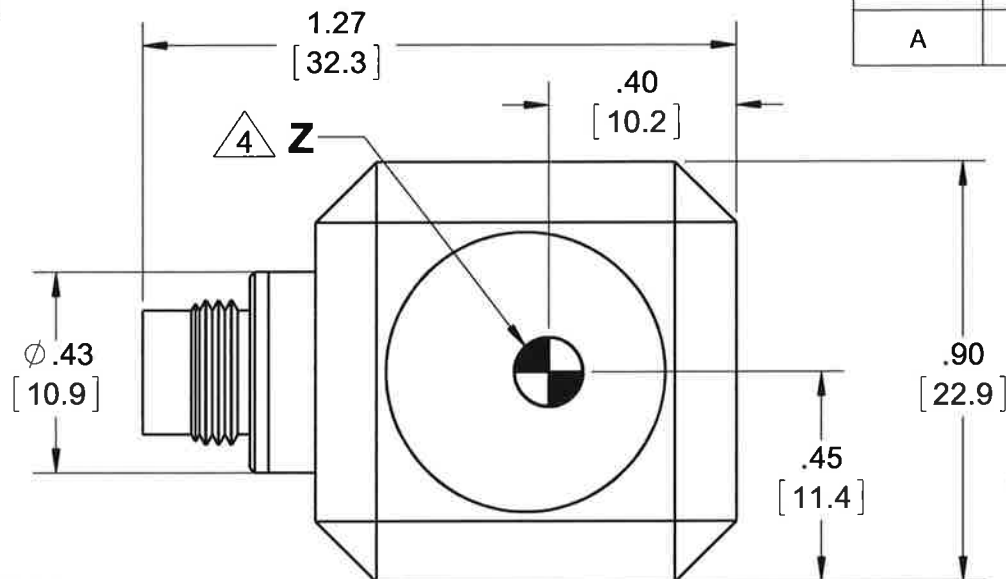
PROPRIETARY AND CONFIDENTIAL

THE INFORMATION CONTAINED IN THIS DRAWING IS THE SOLE PROPERTY OF DYTRAN INSTRUMENTS INC. ANY REPRODUCTION IN PART OR AS A WHOLE WITHOUT THE WRITTEN PERMISSION OF DYTRAN INSTRUMENTS INC. IS PROHIBITED

REVISIONS

REV.	ECN	DESCRIPTION	BY/DATE	CHK	APPR
A	12043	INITIAL RELEASE	LN 06/24/15	EM	[Signature]

MODEL	REV	ECN	DATE	INPUT RANGE
7623B1	A	12043	06/24/15	±2g
7623B2	A	12043	06/24/15	±5g
7623B3	A	12043	06/24/15	±10g
7623B4	A	12043	06/24/15	±25g
7623B5	A	12043	06/24/15	±50g
7623B6	A	12043	06/24/15	±100g
7623B7	A	12043	06/24/15	±200g
7623B8	A	12043	06/24/15	±400g



4 MARKING DENOTES LOCATION OF SENSING ELEMENT'S CENTER OF MASS

3 MATES WITH DYTRAN 6964AXX CABLE (XX DENOTES LENGTH IN FT)

2. WEIGHT: 35 GRAMS, MAX.

1. MATERIAL: TITANIUM ALLOY.

NOTES: UNLESS OTHERWISE SPECIFIED

UNLESS OTHERWISE SPECIFIED:
 INTERPRET DIM & TOL PER ASME Y14.5M - 1994.
 REMOVE BURRS.
 COUNTERSINK INTERNAL THDS 90° TO MAJOR DIA.
 CHAM EXT THDS 45° TO MINOR DIA. THD LENGTHS AND DEPTHS ARE FOR MIN FULL THDS.
 DIMENSIONS APPLY AFTER FINISHING.

ALL MACHINED SURFACES, TOTAL RUNOUT WITHIN .005. BREAK SHARP EDGES .005 TO .010. MACHINED FILLET RADII .005 TO .015. WELDING SYMBOLS PER AWS A2.4. ABBREVIATIONS PER MIL-STD-12.

UNLESS OTHERWISE SPECIFIED:
 DIMENSIONS IN BRACKETS [] ARE IN MILLIMETERS TOLERANCES ARE:
 DECIMALS METRIC ANGLES
 .XX ±.03 .X ± 0.8 ±1°
 .XXX ±.010 .XX ±0.25

APPROVALS		DATE
ORIG	LN	06/17/15
CHK	EM	6/24/15
APP	[Signature]	8/10/15
DO NOT SCALE DRAWING		

MASTER COPY ONLY IF IN RED
 DYTRAN INSTRUMENTS INC. Chatsworth, CA

TITLE: OUTLINE/INSTALLATION DWG, TRIAXIAL DC ACCEL, 5VDC, 7623B SERIES			
SIZE B	CAGE CODE 2W033	DWG NO 127-7623B	REV A
SCALE: 2:1		SHEET 1 OF 2	

PROPRIETARY AND CONFIDENTIAL

THE INFORMATION CONTAINED IN THIS DRAWING IS THE SOLE PROPERTY OF DYTRAN INSTRUMENTS INC. ANY REPRODUCTION IN PART OR AS A WHOLE WITHOUT THE WRITTEN PERMISSION OF DYTRAN INSTRUMENTS INC. IS PROHIBITED

D

D

C

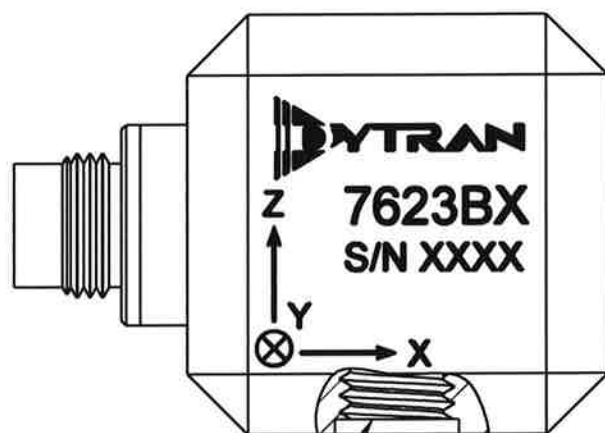
C

B

B

A

A



1/4-28 UNF-2B

(1/4-28)

(M6 X 1)

STUD, MODEL 6360,
1/4-28 TO 1/4-28, SUPPLIED

STUD, MODEL 6691,
1/4-28 TO M6 X 1, SUPPLIED

RECOMMENDED MOUNTING PREPARATION:
PREPARE FLAT MOUNTING SURFACE, ϕ 1.25 [31.2] MIN, FLAT TO .001 TIR.
TAP 1/4-28 UNF-2B ∇ .200 [5.1] MIN. TORQUE TO 10-12 Lb-in.

RECOMMENDED MOUNTING PREPARATION:
PREPARE FLAT MOUNTING SURFACE, ϕ 1.25 [31.2] MIN, FLAT TO .001 TIR.
TAP M6 X 1 ∇ .200 [5.1] MIN. TORQUE TO 10-12 Lb-in.



TITLE: **OUTLINE/INSTALLATION DWG,
TRIAxIAL DC ACCEL, 5VDC,
7623B SERIES**

SIZE B	CAGE CODE 2W033	DWG NO 127-7623B	REV A
------------------	---------------------------	----------------------------	-----------------

SCALE: 2:1	PART NO:	SHEET 2 OF 2
------------	----------	--------------

Model Number 7623B3	PERFORMANCE SPECIFICATION	DOC NO PS7623B3
	TRIAxIAL VARIABLE CAPACITANCE ACCELEROMETER	REV C, ECN 13331, 03/20/17



- VARIABLE CAPACITANCE TECHNOLOGY
- DIFFERENTIAL MODE
- HERMETICALLY SEALED
- DC RESPONSE

PHYSICAL

Weight, Max
Connector Type
Material
Sensing Technology

ENGLISH		SI	
1.2	oz	35	grams
9-pin, 5/16-32 UNEF-2A		9-pin, 5/16-32 UNEF-2A	
Titanium Alloy		Titanium Alloy	
MEMS		MEMS	

PERFORMANCE

Input Range
Frequency Response (3dB), Nom
Resonant Frequency
Sensitivity Differential, ±5% [1]
Output Noise, Differential, Typ
Non-Linearity, Max [2]
Cross Axis Sensitivity, Max

±10	g	±98.1	m/s ²
0 - 1000	Hz	0 - 1000	Hz
3.5	kHz	3.5	kHz
50	mV/g	5	mV/m/s ²
18	µg rms/√ Hz	177	µ m/s ² /√ Hz
0.5	% F.S	0.5	% F.S
3	%	3	%

ENVIRONMENTAL

Maximum Mechanical Shock (0.1 ms)
Bias Temperature Shift, Max [3]
Operating Temperature Range
Seal

±5000	gpk	±49050	m/s ² peak
111	(ppm of span)/°F	200	(ppm of span)/°C
-40 to +250	°F	-40 to +121	°C
Hermetic		Hermetic	

ELECTRICAL

Output Common Mode Voltage, Typ
Output Impedance, Nom
Operating Voltage
Operating Current, Max

2.45	VDC	2.45	VDC
1225	Ω	1225	Ω
4.9 to 5.1	VDC	4.9 to 5.1	VDC
7	mA Dc	7	mA Dc

This family also includes:

Model	Input Range (g)	Frequency response (Hz)	Sensitivity Differential, ±5% (mV/g)	Max.Shock (0.1ms)	Noise Differential (µg/√Hz)
7623B1	±2	0-400	250	2000	7
7623B2	±5	0-600	100	2000	12
7623B4	±25	0-1500	20	5000	25
7623B5	±50	0-2000	10	5000	50
7623B6	±100	0-2500	5	5000	100
7623B7	±200	0-1750	2.5	5000	200
7623B8	±400	0-2000	1.25	5000	400

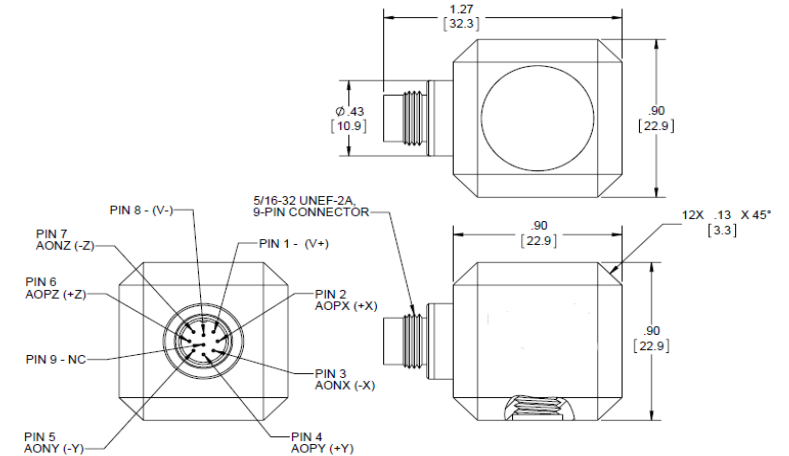
Refer to the performance specifications of the products in this family for detailed description.

Supplied Accessories:

- 1) Accredited calibration certificate (ISO 17025)
- 2) Mounting stud, Model 6360, 1/4-28 UNF-2A, Qty 1
- 3) Mounting stud, Model 6691, 1/4-28 UNF-2A to M6 X 1, Qty 1

Notes:

- [1] Single ended sensitivity is half of values shown. (Ref. at 100 Hz)
- [2] -90% to +90% of Full Scale.
- [3] Over the rated temperature range.
- [4] In the interest of constant product improvement, we reserve the right to change specifications without notice.



Units on the line drawing are in inches. Refer to 127-7623B for more information.



21592 Marilla Street, Chatsworth, California 91311 Phone: 818.700.7818 Fax: 818.700.7880 www.dytran.com
For permission to reprint this content, please contact info@dytran.com