

FUTEK MODEL PFT510-SP

CUSTOM MINIATURE FLUSH MOUNT DIAPHRAGM PRESSURE SENSOR

ITEM NUMBER: QSH01425



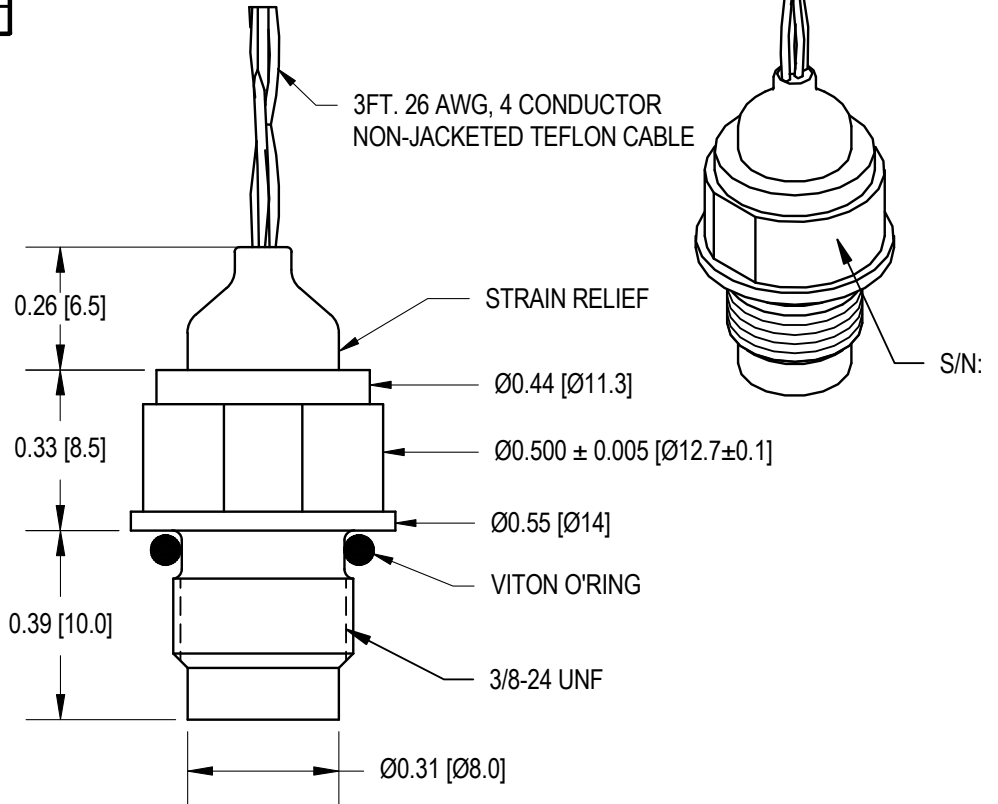
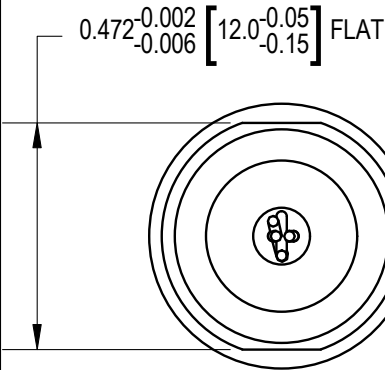
Drawing Number: FO1273-D

INCH [mm] | R.O. = Rated Output

WIRING CODE (WC1)

+Excitation	-Excitation	+Signal	-Signal
RED	BLACK	GREEN	WHITE

- FLUSH MOUNT
- STAINLESS STEEL CONSTRUCTION
- NEMA 4 (IP 65)



TECHNICAL SPECIFICATIONS:

(REFERENCE CONDITION: 20°C)

PERFORMANCE:

CAPACITY:	150 BAR
TYPE:	SEALED GAGE
RATED OUTPUT:	1-1.5 mV/V nom.
SAFE OVERLOAD:	150% of R.O.
BURST PRESSURE:	300% of R.O.
ZERO BALANCE:	±3% of R.O.
EXCITATION(VDC)	10 VDC MAX
COMBINED NONLIN. & HYSTERESIS	< ±0.5% of R.O. B.F.S.L.
NONREPEATABILITY	±0.02% of R.O. Type
NATURAL FREQUENCY	FROM 6 KHz (15 BAR) TO 100 KHz (700 BAR)
INSULATION RESISTANCE	>1000 MΩ @ 50Vdc and 20°C
BRIDGE RESISTANCE	350 Ω nom.
CALIBRATION	CERTIFICATE OF CONFORMANCE INCLUDED NIST TRACEABLE 5 pt. CALIBRATION AVAILABLE

MECHANICAL SPECIFICATION:

WEIGHT:	< 10g WITHOUT CABLE
WETTED/ BODY MATERIAL:	STAINLESS STEEL
ENCLOSURE PROTECTION:	NEMA 4 (IP 65)
ELECTRICAL CONNECTION:	26 AWG, 4 CONDUCTOR NON-JACKETED TEFLON CABLE, 3 ft. [1 m] LONG

ENVIRONMENTAL :

OPERATING TEMPERATURE	-15 to +194°F [-26 to +90°C]
COMPENSATED TEMPERATURE	-4 to +140°F [-20 to +60°C]
SHOCK:	100 G'S 1/2 SINUSOIDAL - 1 ms
VIBRATION:	±0.02 of R.O. / G (20-2000 Hz, 50 g MAX)
TEMP. SHIFT ZERO	△ ±0.004% of R.O./°F [±0.007% of R.O./°C]
TEMP. SHIFT SPAN	±0.020% of R.O./°F [±0.036% of R.O./°C]
EMI/RFI:	EN61000

CUSTOMER APPROVAL-COMPANY

CUSTOMER APPROVAL-NAME /DATE

REVISIONS: (Refer to dwg # revision sheet)

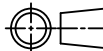
- △ 09-01-2010
- △ 02-01-2011
- △ 01-10-2014
- △ 02-26-2014

OUTLINE DRAWING

STANDARD NOTES: (Unless Otherwise Specified)

- ALL DIMENSIONS ARE IN INCHES
- DRAWING INTERPRETATION DIMS. PER ASME-Y14.5M
- REMOVE BURRS AND BREAK SHARP EDGES .005 - .015
- THREADS PER HANDBOOK H-28
- DIMENSIONS ARE SHOWN AFTER PLATING

3rd ANGLE PROJ.



ANGLE:
±1/2°

CHAMFER:
±5°

TOLERANCE:
.X ±0.1
.XX ±0.01
.XXX ±0.005

This drawing is submitted solely for the information and exclusive use of the original addressee. It is not to be divulged in whole or in part, by any firm or individual without written permission from:

FUTEK
ADVANCED SENSOR TECHNOLOGY, INC.

10 THOMAS
IRVINE, CA 92618 USA
Phone: (949) 465-0900
Fax: (949) 465-0905

CAGE: 1X8M6

MODEL: **PFT510-SP**

DRAWN BY: T.LEE

APPROVED BY: -

DWG No.: **FO1273-D**

CHECKED BY: R.WALKER

DATE: **JAN. 13, 2014**