

PROPRIETARY AND CONFIDENTIAL

THE INFORMATION CONTAINED IN THIS DRAWING IS THE SOLE PROPERTY OF DYTRAN INSTRUMENTS INC. ANY REPRODUCTION IN PART OR AS A WHOLE WITHOUT THE WRITTEN PERMISSION OF DYTRAN INSTRUMENTS INC. IS PROHIBITED

1 CABLE LENGTH TOLERANCE

ENGLISH		[METRIC]	
≤1FT	+1/-0 IN	≤0.3m	+25mm -0mm
>1 FT - 5 FT	+2/-0 IN	.0.3 m-1.5m	+50mm -0mm
> 5 FT - 10 FT	+4/-0 IN	>1.5m-3m	+100mm -0mm
>10 FT - 25FT	+6 / -0 IN	>3m-7.5m	+150mm -0mm
>25 FT	+5% / -0%	>7.5m	+5%/-0%

6 SINGLE CONDUCTOR SHIELDED LOW NOISE CABLE

AWG	30-7/38 SILVER PLATE
TEMP	200 DEG C WIRE RATED
DIAMETER	Ø.073 NOM.
JACKET	RED PTFE WRAP .005-.010 WALL
VOLTAGE	600 VOLTS
SHIELD	38 AWG SILVER PLATED COPPER BRAID, 85% MIN COVERAGE, Ø.050 NOM
CONDUCTOR INSULATION	EXTRUDED PTFE, CLEAR, Ø.032 NOM.
LOW NOISE WRAP #1 & #2	CARBON TAPE
MIN BEND RADIUS	1.00 INCH

REVISIONS

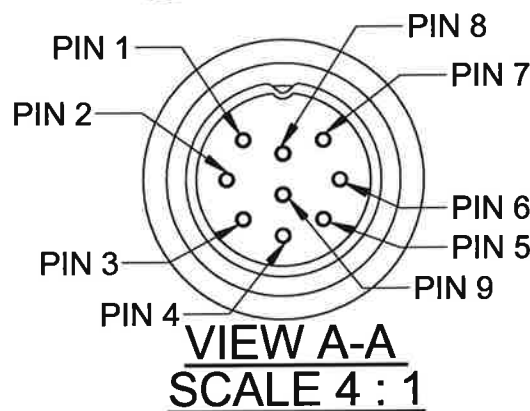
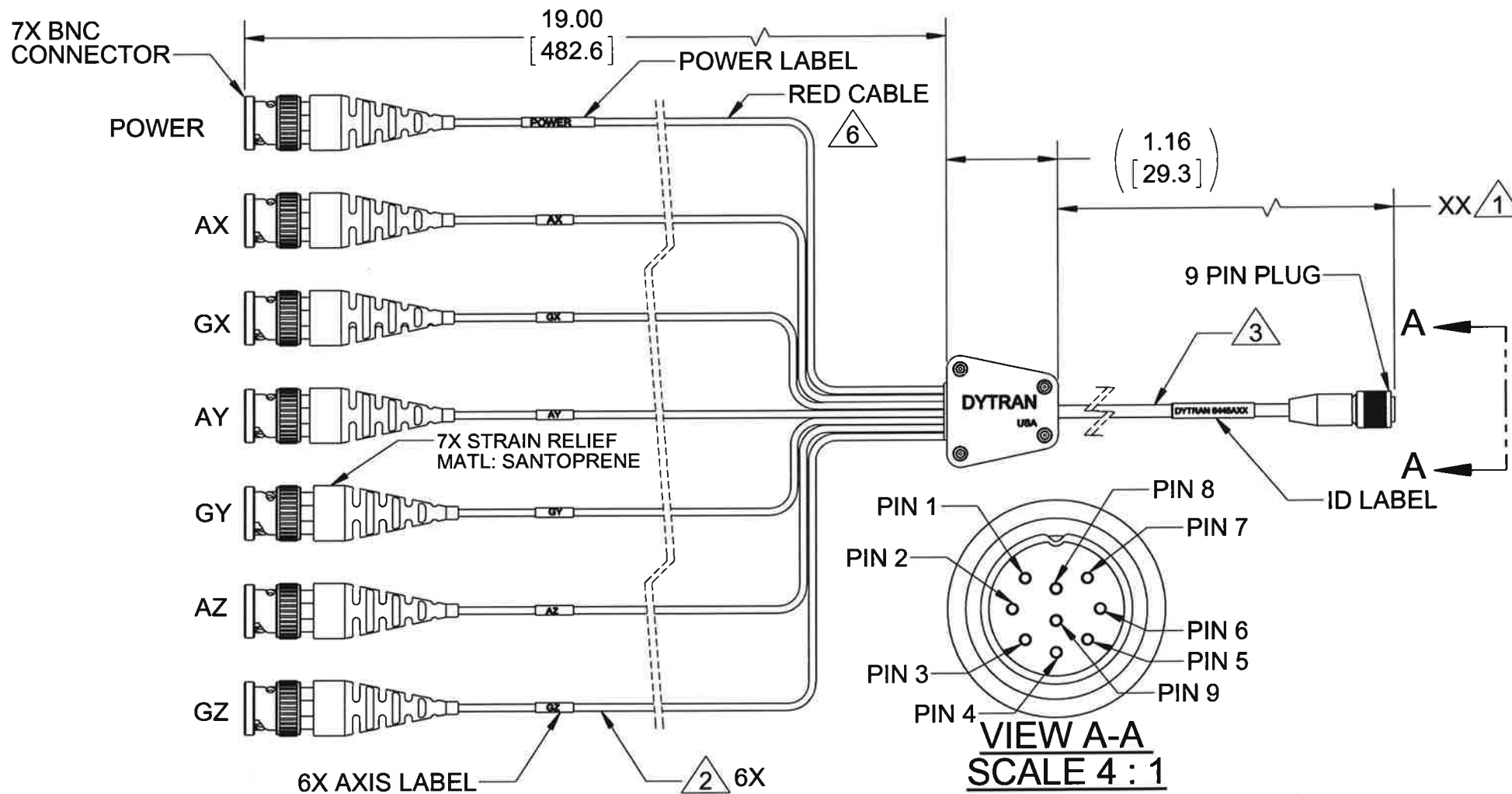
REV.	ECN	DESCRIPTION	BY/DATE	CHK	APPR
A	11616	INITIAL RELEASE	JS 09/04/15	EM	JV

3 8 CONDUCTOR CABLE

WIRE TYPE	EXTRUDED FEP INSULATION .006 WALL THICKNESS
TEMPERATURE	200°C
VOLTAGE	600 VOLTS
WIRE DIAMETER	.032 NOMINAL
SHIELD	38 AWG SILVER PLATED COPPER BRAIDED 95% COVERAGE 7E-16C36F/30B
JACKET	EXTRUDED WHITE FEP .010 WALL THICKNESS
CABLE DIA.	.135 MAX
SINGLE CONDUCTOR AWG	26-7/34 TIN PLATED COPPER

2 SINGLE CONDUCTOR SHIELDED CABLE

AWG	30-7/38 SILVER PLATED COPPER
TEMP	200° C
DIAMETER	Ø.074±.006
WITHSTANDING VOLTAGE	2000 VAC
JACKET	WHT PTFE WRAP .005-.010 WALL
CONDUCTOR INSULATION	EXTRUDED PTFE, NATURAL, Ø.033 ±.002
CAPACITANCE (SHIELD TO CONDUCTOR)	32 pF/FT
IMPEDANCE	50 OHMS
INDUCTANCE	.80 microH/FT
SHIELD	38 AWG SILVER PLATED COPPER BRAID, 95% MIN COVERAGE, Ø.054 NOM
MINIMUM BEND RADIUS	.38 IN



- 6 SEE TABLE FOR CABLE SPECIFICATIONS
- 5. SEE SHEET 2 FOR SCHEMATIC
- 4. OPERATING TEMPERATURE : -67°F TO 248°F [-55°C TO 120°C]
- 3 SEE TABLE FOR CABLE SPECIFICATIONS
- 2 SEE TABLE FOR SPECIFICATIONS
- 1 PART NUMBER 6445AXX. "XX" DENOTES LENGTH IN FEET. SEE TABLE FOR LENGTH TOLERANCE

NOTES: UNLESS OTHERWISE SPECIFIED

UNLESS OTHERWISE SPECIFIED:
 INTERPRET DIM & TOL PER ASME Y14.5M - 1994.
 REMOVE BURRS.
 COUNTERSINK INTERNAL THDS 90° TO MAJOR DIA.
 CHAM EXT THDS 45° TO MINOR DIA.
 THD LENGTHS AND DEPTHS ARE FOR MIN FULL THDS.
 DIMENSIONS APPLY AFTER FINISHING.

ALL MACHINED SURFACES 63/ TOTAL RUNOUT WITHIN .005.
 BREAK SHARP EDGES .005 TO .010.
 MACHINED FILLET RADII .005 TO .015.
 WELDING SYMBOLS PER AWS A2.4.
 ABBREVIATIONS PER MIL-STD-12.

DECIMALS		METRIC		ANGLES
.XX ±.03	.X ±0.8	.XX ±0.25		±1°
.XXX ±.010				

APPROVALS		DATE
ORIG	JS	05/01/15
CHK	EM	9/15/15
APP	JV	9/22/15

DO NOT SCALE DRAWING

UNLESS OTHERWISE SPECIFIED: DIMENSIONS ARE IN INCHES. DIMENSIONS IN BRACKETS [] ARE IN MILLIMETERS TOLERANCES ARE:

DYTRAN INSTRUMENTS, INC. MASTER ONLY IF IN RED
 Chatsworth, CA

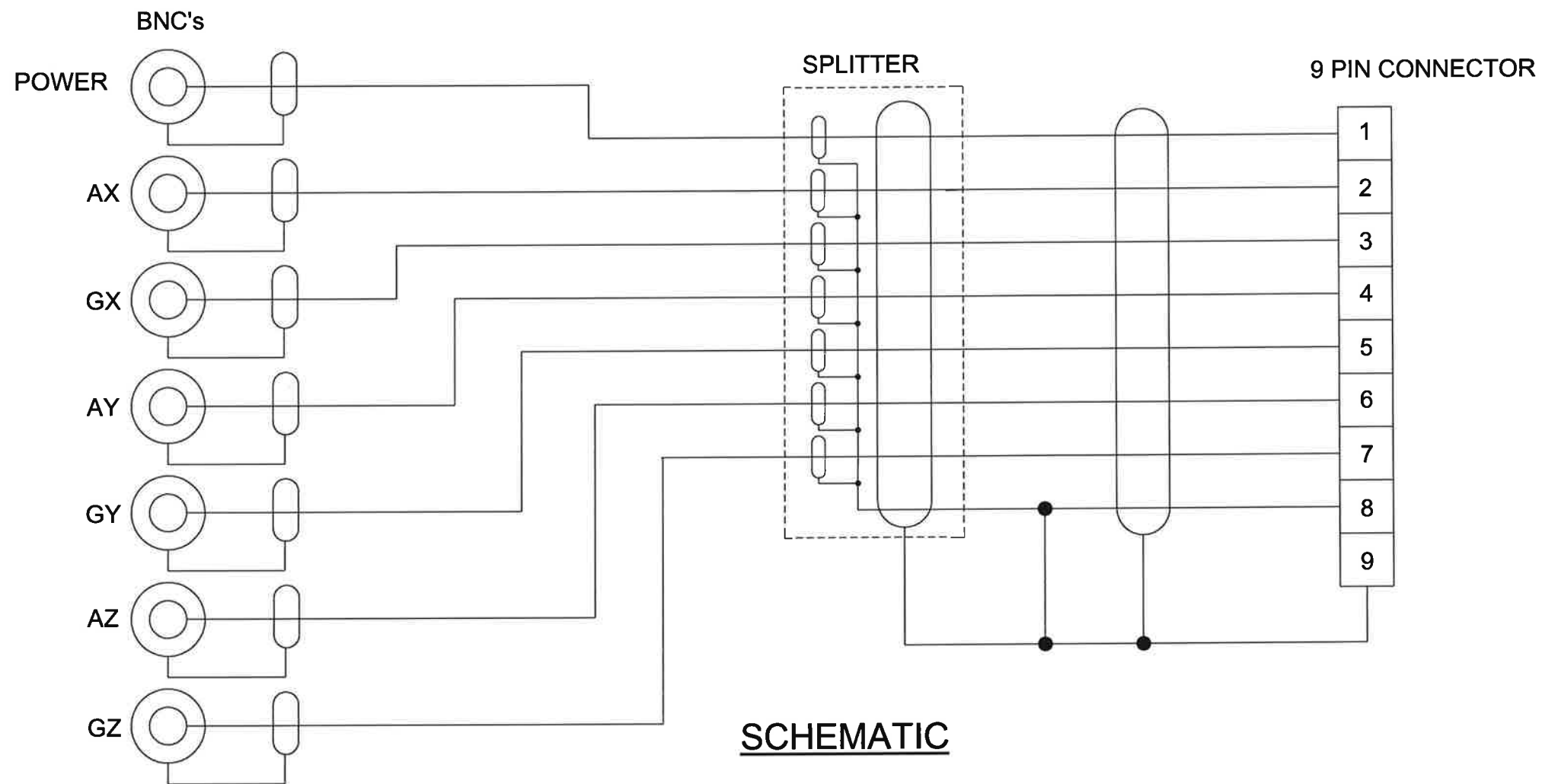
TITLE: **OUTLINE/INSTALLATION DRAWING, CABLE ASSY, 9 PIN PLUG TO 7 BNC'S, 6445A**

SIZE B	CAGE CODE 2W033	DWG NO 127-6445A	REV A
---------------	------------------------	-------------------------	--------------

SCALE: 1:4 SHEET 1 OF 2

PROPRIETARY AND CONFIDENTIAL

THE INFORMATION CONTAINED IN THIS DRAWING IS THE SOLE PROPERTY OF DYTRAN INSTRUMENTS INC. ANY REPRODUCTION IN PART OR AS A WHOLE WITHOUT THE WRITTEN PERMISSION OF DYTRAN INSTRUMENTS INC. IS PROHIBITED



DYTRAN INSTRUMENTS, INC. **MASTER** **ONLY IF IN RED**
Chatsworth, CA

TITLE: **OUTLINE/INSTALLATION DRAWING, CABLE ASSY, 9 PIN PLUG TO 7 BNC'S, 6445A**

SIZE B	CAGE CODE 2W033	DWG NO 127-6445A	REV A
SCALE: 1:4		SHEET 2 OF 2	