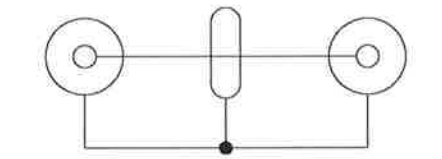


PROPRIETARY AND CONFIDENTIAL

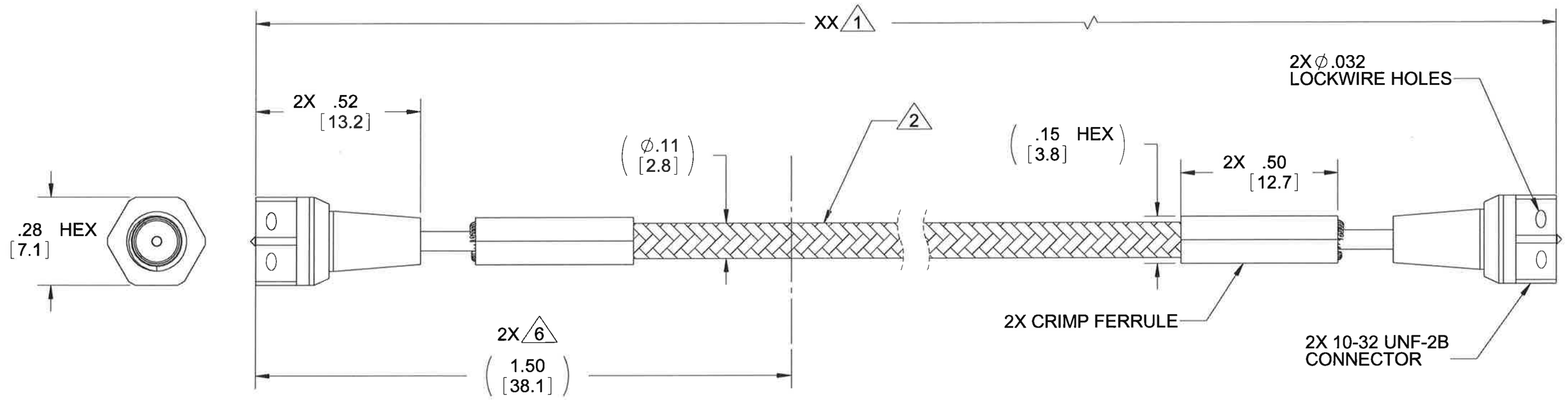
THE INFORMATION CONTAINED IN THIS DRAWING IS THE SOLE PROPERTY OF DYTRAN INSTRUMENTS INC. ANY REPRODUCTION IN PART OR AS A WHOLE WITHOUT THE WRITTEN PERMISSION OF DYTRAN INSTRUMENTS INC. IS PROHIBITED

MODEL NUMBER ¹	LENGTH
6999A1.7	20.0±0.5 (1.7 FT)
6999A03	36.0±1.0 (3 FT)
6999A05	60.0±3.0 (5 FT)
6999A08	96.0±3.0 (8 FT)
6999A10	120.0±3.0 (10 FT)
6999A15	180.0±6.0 (15 FT)
6999A20	240.0±6.0 (20 FT)



SCHEMATIC DIAGRAM

REVISIONS					
REV.	ECN	DESCRIPTION	BY/DATE	CHK	APPR
A	9080	INITIAL RELEASE	LN 08/30/12	JS	DV
B	10474	TEMPERATURE WAS: 900 °F	AB 10/16/13	EM	DV
C	10602	ZONE B3 (1.50 [38.1]) WAS: (3.00 [76.2])	JS 12/02/13	<i>Perf</i>	<i>kt</i>



² CABLE SPECIFICATIONS	
CENTER CONDUCTOR	φ.012" NOM. , STAINLESS STEEL
INSULATION	SILICON DIOXIDE
JACKET	φ.062" NOM. , STAINLESS STEEL
INNER SLEEVE	BRAIDED, .012" WALL, FIBERGLASS
OUTER SLEEVE	BRAIDED, .012" WALL, STAINLESS STEEL

- ⁷ INNER FIBERGLASS SLEEVE ELECTRICALLY ISOLATES OUTER STAINLESS STEEL SLEEVE FROM CABLE JACKET.
- ⁶ DO NOT BEND CABLE WITHIN INDICATED SECTION ON BOTH ENDS OF CABLE. DO NOT BEND CABLE WHILE INSTALLED.
- 5. MINIMUM BEND RADIUS: 1.5 INCH [36.8].
- 4. MAXIMUM TORQUE: 12 Lb-in.
- 3. OPERATING TEMPERATURE: 1200 °F [649 °C] MAX.
- ² HARDLINE COAXIAL CABLE. SEE TABLE FOR SPECIFICATIONS.
- ¹ PART NUMBER: 6999AXX. "XX" DENOTES LENGTH IN FEET.

NOTES: UNLESS OTHERWISE SPECIFIED

UNLESS OTHERWISE SPECIFIED: INTERPRET DIM & TOL PER ASME Y14.5M - 1994. REMOVE BURRS. COUNTERSINK INTERNAL THDS 90° TO MAJOR DIA. CHAM EXT THDS 45° TO MINOR DIA. THD LENGTHS AND DEPTHS ARE FOR MIN FULL THDS. DIMENSIONS APPLY AFTER FINISHING.

UNLESS OTHERWISE SPECIFIED: DIMENSIONS ARE IN INCHES. DIMENSIONS IN BRACKETS [] ARE IN MILLIMETERS TOLERANCES ARE:

DECIMALS	METRIC	ANGLES
.XX ±.03	.X ± 0.8	±1°
.XXX ±.010	.XX ±0.25	

APPROVALS		DATE
ORIG	LN	08/28/12
CHK	JS	08/31/12
APP	DV	09/04/12

ALL MACHINED SURFACES. TOTAL RUNOUT WITHIN .005. BREAK SHARP EDGES .005 TO .010. MACHINED FILLET RADII .005 TO .015. WELDING SYMBOLS PER AWS A2.4. ABBREVIATIONS PER MIL-STD-12.

63/

DO NOT SCALE DRAWING

THIRD ANGLE PROJECTION

DYTRAN INSTRUMENTS, INC. MASTER ONLY/IN RED Chatsworth, CA

TITLE: **OUTLINE/INSTALLATION DWG, INSULATED HARDLINE CABLE, MODEL 6999A**

SIZE	CAGE CODE	DWG NO	REV
B	2W033	127-6999A	C

SCALE: NONE SOLIDWORKS SHEET 1 OF 1