

PROPRIETARY AND CONFIDENTIAL

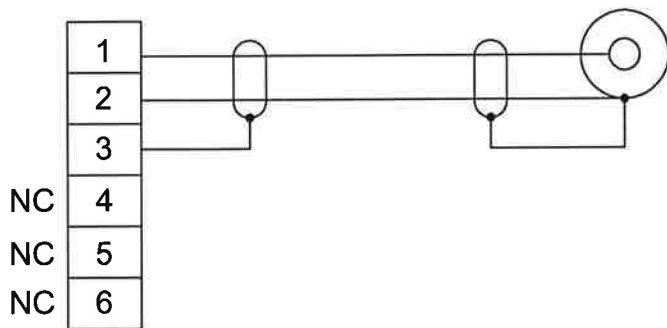
THE INFORMATION CONTAINED IN THIS DRAWING IS THE SOLE PROPERTY OF DYTRAN INSTRUMENTS INC. ANY REPRODUCTION IN PART OR AS A WHOLE WITHOUT THE WRITTEN PERMISSION OF DYTRAN INSTRUMENTS INC. IS PROHIBITED

REVISIONS

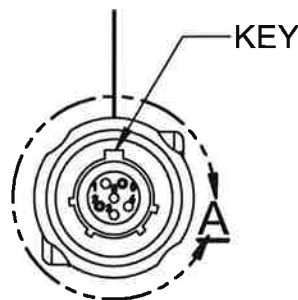
| REV. | ECN | DESCRIPTION | BY/DATE | CHK | APPR |
|------|-------|-----------------|----------------|-----|------|
| A | 10463 | INITIAL RELEASE | AB 10/11/13 | LN | PA |

1 CABLE LENGTH TOLERANCE

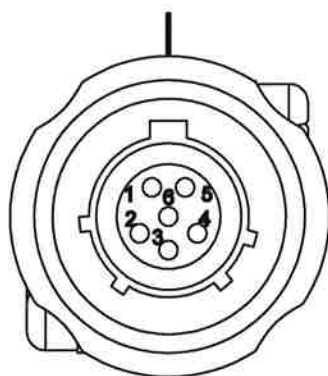
| | |
|----------------|------------|
| ≤1FT | +1/ -0 IN |
| >1 FT - 5 FT | +2/ -0 IN |
| > 5 FT - 10 FT | +4/ -0 IN |
| >10 FT - 25FT | +6 / -0 IN |
| >25 FT | +5% / -0% |



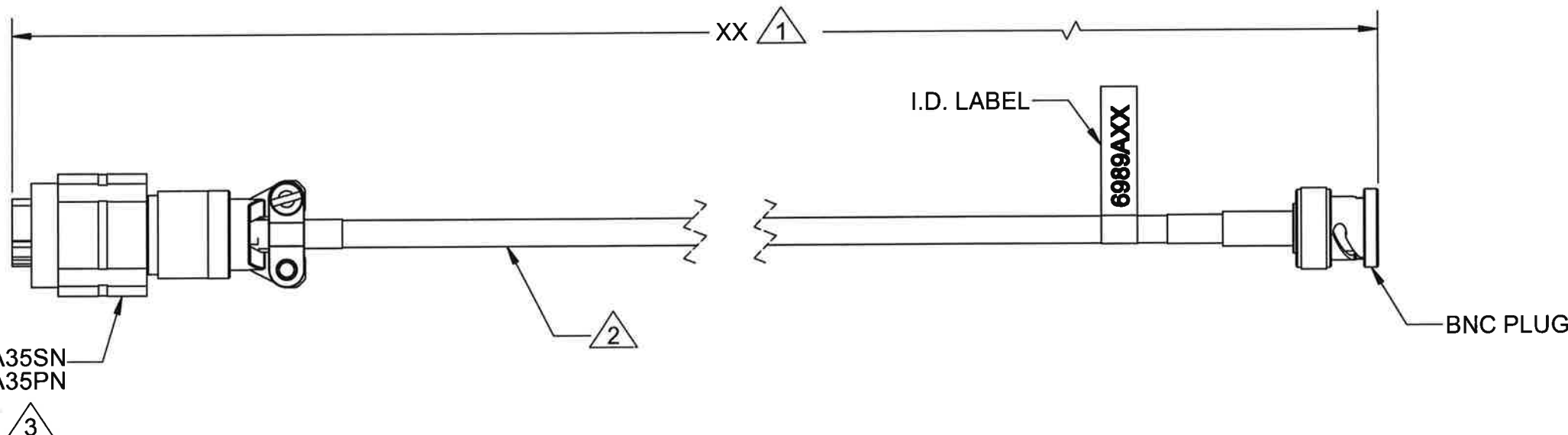
SCHEMATIC



6 PIN CONNECTOR D38999/26WA35SN
MATES WITH D38999/25YA35PN



DETAIL A
SCALE 2 : 1



| 2 CABLE SPECIFICATIONS | |
|------------------------|---|
| AWG | 22-19/34 SILVER PLATED COPPER |
| WIRE TYPE | WIL-W-16878/5 / PTFE .015 WALL THICKNESS |
| WIRE TEMP | 200 °C |
| VOLTAGE | 600 VOLTS |
| WIRE | AWG 22 (19/34) SPC EE (PTFE) WHITE .06 DIA |
| WIRE | AWG 22 (19/34) SPC EE (PTFE) BLUE .06 DIA |
| LOW NOISE TAPE WRAP | CARBON TAPE .008 WALL |
| SHIELD | 38 AWG SILVER PLATED COPPER 95% COVERAGE 30 ° ANGLE |
| JACKET | WHITE TEFLON TAPE WRAP .010/.015 WALL THICKNESS |
| DIAMETER | MAX .190 |

UNLESS OTHERWISE SPECIFIED:
 INTERPRET DIM & TOL PER
 ASME Y14.5M - 1994.
 REMOVE BURRS.
 COUNTERSINK INTERNAL THDS
 90° TO MAJOR DIA.
 CHAM EXT THDS 45° TO MINOR DIA.
 THD LENGTHS AND DEPTHS ARE FOR
 MIN FULL THDS.
 DIMENSIONS APPLY AFTER FINISHING.

ALL MACHINED SURFACES ⁶³✓
 TOTAL RUNOUT WITHIN .005.
 BREAK SHARP EDGES .005 TO .010.
 MACHINED FILLET RADII .005 TO .015.
 WELDING SYMBOLS PER AWS A2.4.
 ABBREVIATIONS PER MIL-STD-12.

UNLESS OTHERWISE SPECIFIED:
 DIMENSIONS ARE IN INCHES
 DIMENSIONS IN BRACKETS [] ARE IN
 MILLIMETERS TOLERANCES ARE:

| DECIMALS | METRIC | ANGLES |
|------------|-----------|--------|
| .XX ±.03 | .X ±0.8 | ±1° |
| .XXX ±.010 | .XX ±0.25 | |

| APPROVALS | | DATE |
|-----------|----|----------|
| ORIG | AB | 10/11/13 |
| CHK | LN | 10/11/13 |
| APP | PA | 10/11/13 |

DO NOT SCALE DRAWING

DYTRAN
INSTRUMENTS, INC. Chatsworth, CA

MASTER ONLY IF IN RED

| | | | |
|--|---------------------------|----------------------------|-----------------|
| TITLE: OUTLINE/INSTALLATION, CABLE ASSY, 6989A | | | |
| SIZE B | CAGE CODE 2W033 | DWG NO 127-6989A | REV A |
| SCALE: 1:1 | | SHEET 1 OF 1 | |

- 3 CONNECTOR TEMPERATURE RATING: -65°C TO +175°C.
 - 2 CABLE, 2-CONDUCTOR, SHIELDED, LOW NOISE. SEE TABLE FOR SPECIFICATIONS.
 - 1 PART NUMBER 6989AXX. XX DENOTES LENGTH IN FEET.
- NOTES: UNLESS OTHERWISE SPECIFIED