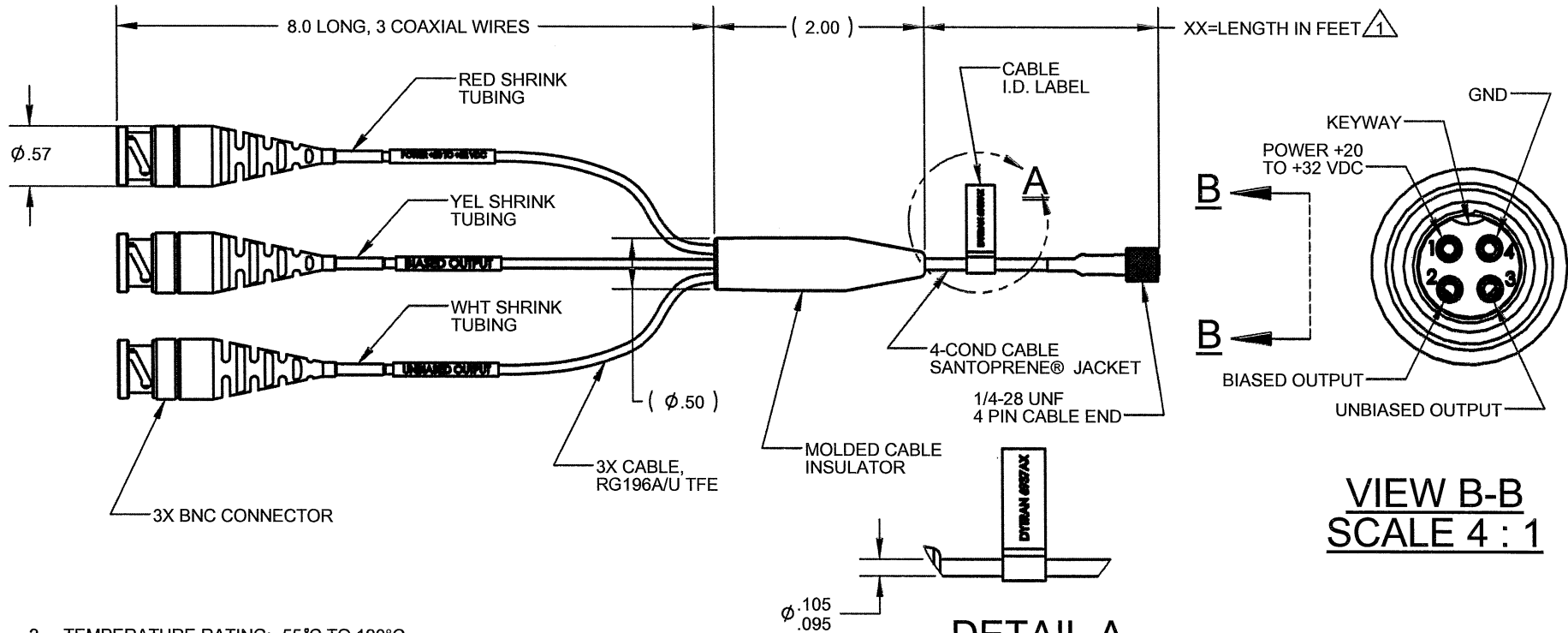


PROPRIETARY AND CONFIDENTIAL

THE INFORMATION CONTAINED IN THIS DRAWING IS THE SOLE PROPERTY OF DYTRAN INSTRUMENTS INC. ANY REPRODUCTION IN PART OR AS A WHOLE WITHOUT THE WRITTEN PERMISSION OF DYTRAN INSTRUMENTS INC. IS PROHIBITED

REVISIONS

REV	ECN	DESCRIPTION	BY/DATE	CHK	APPR
A	6961	INITIAL RELEASE	RA, 07/29/10	EP	DV
B	8823	UPDATED VIEW TO SHOW 120-0292-01 CONNECTOR	AB, 07/02/12	AS	AY



2. TEMPERATURE RATING: -55°C TO 120°C.

△ XX = WILL VARY IN FEET PER CUSTOMER REQUIEMENTS, FOR EXAMPLE: 6937A10 = 10 FT CABLE LENGTH.

**DETAIL A
SCALE 1 : 1**

**VIEW B-B
SCALE 4 : 1**

NOTES: UNLESS OTHERWISE SPECIFIED.

UNLESS OTHERWISE SPECIFIED: INTERPRET DIM & TOL PER ASME Y14.5M - 1994. REMOVE BURRS. COUNTERSINK INTERNAL THDS 90° TO MAJOR DIA. CHAM EXT THDS 45° TO MINOR DIA. THD LENGTHS AND DEPTHS ARE FOR MIN FULL THDS. THDS PER MIL-S-7742. DIMENSIONS APPLY AFTER FINISHING.		UNLESS OTHERWISE SPECIFIED: DIMENSIONS ARE IN INCHES. DIMENSIONS IN BRACKETS [] ARE IN MILLIMETERS TOLERANCES ARE: INCHES METRIC ANGLES .XX ± .03 .X ± 0.8 ± 1° .XXX ± 0.10 .XX ± 0.25	
6937AXX		MATERIAL	
USED ON	NEXT ASSY	FINISH	
APPLICATION		DO NOT SCALE DRAWING	
THIRD ANGLE PROJECTION USA		ALL MACHINED SURFACES. <input checked="" type="checkbox"/> 63 TOTAL RUNOUT WITHIN .005. BREAK SHARP EDGES .005 TO .010. MACHINED FILLET RADII .005 TO .015. WELDING SYMBOLS PER AWS A2.4. ABBREVIATIONS PER MIL-STD-12	

CONTRACT NO.	
APPROVALS	DATE
ORIG RA	07/28/10
CHK AS	7/19/12
APP AY	7/27/12
APP	

TITLE: **OUTLINE/INSTALLATION DRAWING,
MINI 4 PIN TO (3) BNC, MODEL 6937A**

SIZE A	CAGE CODE 2W033	DWG. NO. 127-6937A	REV B
SCALE: NONE		SOLIDWORKS	SHEET 1 OF 1