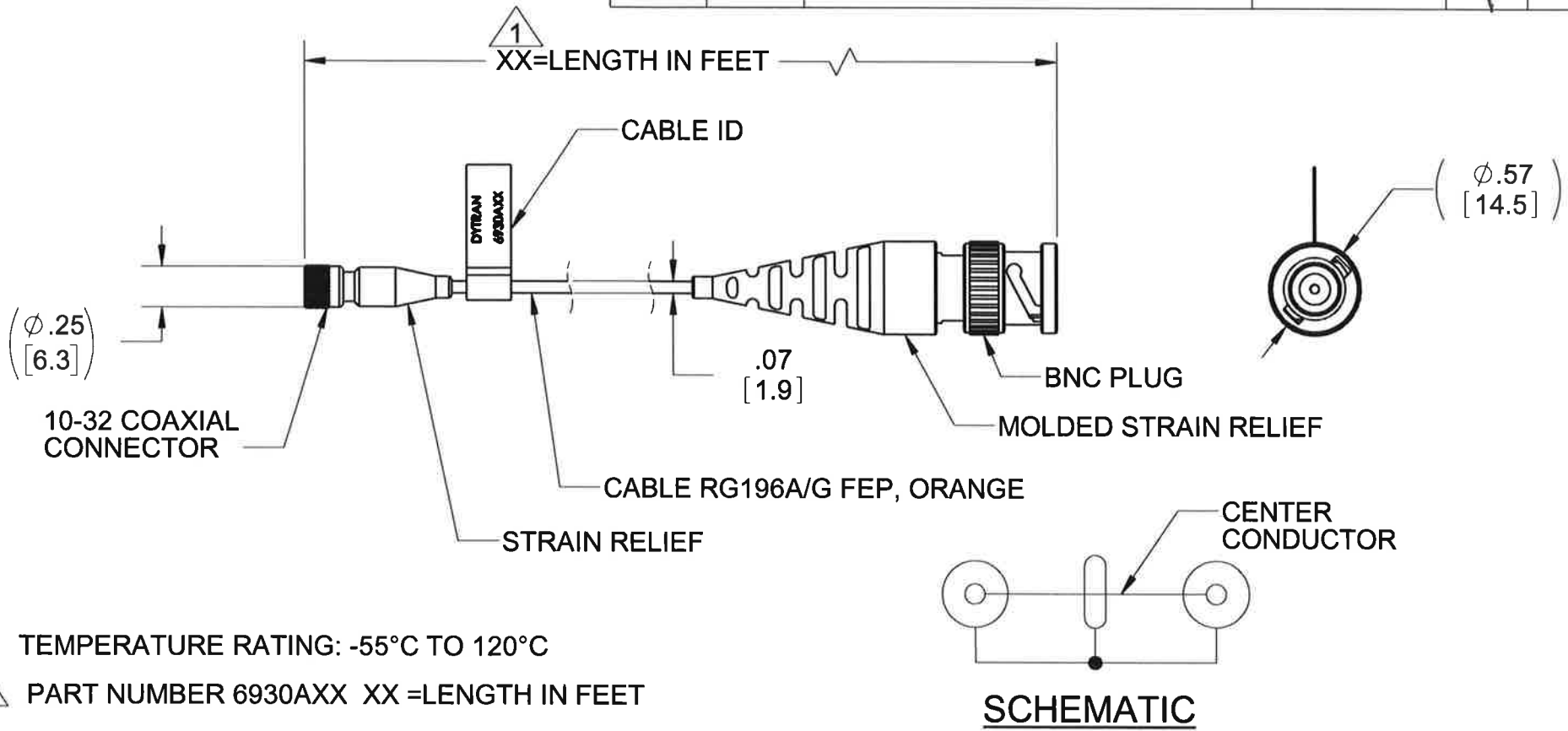


**PROPRIETARY AND CONFIDENTIAL**  
 THE INFORMATION CONTAINED IN THIS DRAWING IS THE SOLE PROPERTY OF DYTRAN INSTRUMENTS INC. ANY REPRODUCTION IN PART OR AS A WHOLE WITHOUT THE WRITTEN PERMISSION OF DYTRAN INSTRUMENTS INC. IS PROHIBITED

REVISIONS				
REV	ECN	DESCRIPTION	BY/DATE	CHK APPR
A	6883	INITIAL RELEASE	RA, 06/21/10	EP DV
B	12586	10-32 COAXIAL CONNECTOR WAS: MINI 4-PIN CONNECTOR	LN 03/28/16	<i>[Signature]</i> AS



2. TEMPERATURE RATING: -55°C TO 120°C

1 PART NUMBER 6930AXX XX =LENGTH IN FEET

NOTES: UNLESS OTHERWISE SPECIFIED.

6930A	USED ON	NEXT ASSY	APPLICATION	THIRD ANGLE PROJECTION USA
UNLESS OTHERWISE SPECIFIED: INTERPRET DIM & TOL PER ASME Y14.5M - 1994. REMOVE BURRS. COUNTERSINK INTERNAL THDS 90° TO MAJOR DIA. CHAM EXT THDS 45° TO MINOR DIA. THD LENGTHS AND DEPTHS ARE FOR MIN FULL THDS. THDS PER MIL-S-7742. DIMENSIONS APPLY AFTER FINISHING.				
UNLESS OTHERWISE SPECIFIED: DIMENSIONS ARE IN INCHES. DIMENSIONS IN BRACKETS [ ] ARE IN MILLIMETERS TOLERANCES ARE: INCHES    METRIC    ANGLES .XX ± .03    .X ± 0.8    ± 1° .XXX ± .010    .XX ± 0.25				
ALL MACHINED SURFACES. TOTAL RUNOUT WITHIN .005. BREAK SHARP EDGES .005 TO .010. MACHINED FILLET RADII .005 TO .015. WELDING SYMBOLS PER AWS A2.4. ABBREVIATIONS PER MIL-STD-12.				

CONTRACT NO.	
APPROVALS	DATE
ORIG    RA	06/18/10
CHK    EP	06/21/10
APP    DV	06/21/10
APP	
<b>DO NOT SCALE DRAWING</b>	

**DYTRAN INSTRUMENTS, INC.** MASTER ONLY IF IN RED Chatsworth, CA

TITLE: **OUTLINE/INSTALLATION, CABLE ASSY, 10-32 TO BNC PLUG, 6930A**

SIZE <b>A</b>	CAGE CODE <b>2W033</b>	DWG. NO. <b>127-6930A</b>	REV <b>B</b>
SCALE: NONE		SOLIDWORKS	SHEET 1 OF 1