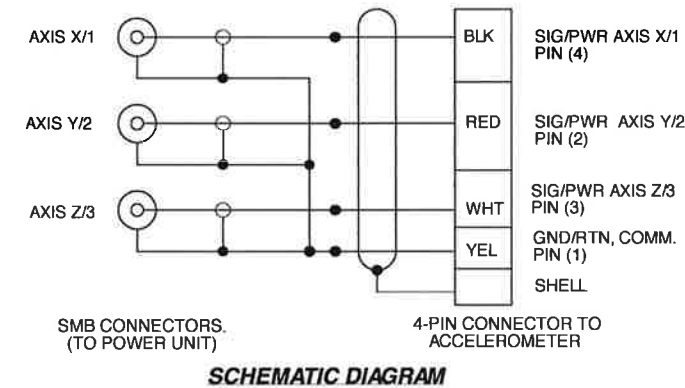


PROPRIETARY AND CONFIDENTIAL

THE INFORMATION CONTAINED IN THIS DRAWING IS THE SOLE PROPERTY OF DYTRAN INSTRUMENTS INC. ANY REPRODUCTION IN PART OR AS A WHOLE WITHOUT THE WRITTEN PERMISSION OF DYTRAN INSTRUMENTS INC. IS PROHIBITED

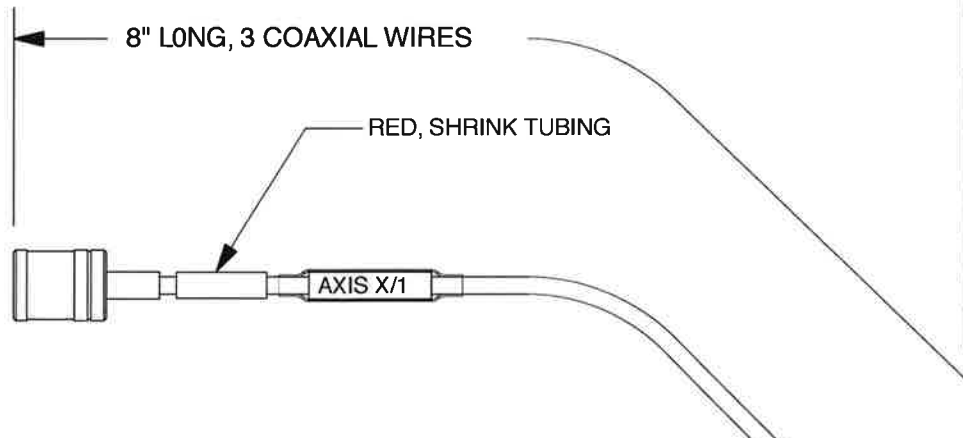
4 SINGLE CONDUCTOR SHIELDED LOW NOISE CABLE	
AWG	30-7/38 SILVER PLATED COPPER
TEMP	200°C WIRE RATED
WITHSTANDING VOLTAGE	2000 VAC
CONDUCTOR INSULATION	EXTRUDED PTFE, NATURAL, Ø.033 ±.002
CAPACITANCE (SHIELD TO CONDUCTOR)	32 pF/FT
IMPEDANCE	50 OHMS
INDUCTANCE	.80 microH/FT
SHIELD	38 AWG SILVER PLATED COPPER BRAID, 95% MIN COVERAGE, Ø.054 NOM
JACKET	WHT PTFE WRAP .005 -.010 WALL
DIAMETER	Ø.074±.006
MINIMUM BEND RADIUS	1 IN

REVISIONS					
REV.	ECN	DESCRIPTION	BY/DATE	CHK	APPR
E	12942	SEE ECN	JS 09/09/16	LA	LN



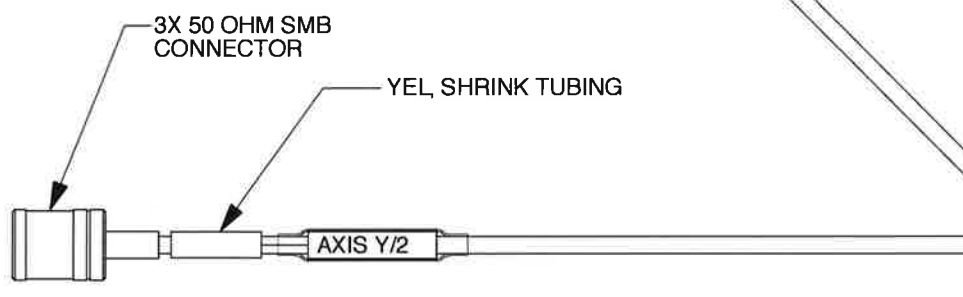
D

D



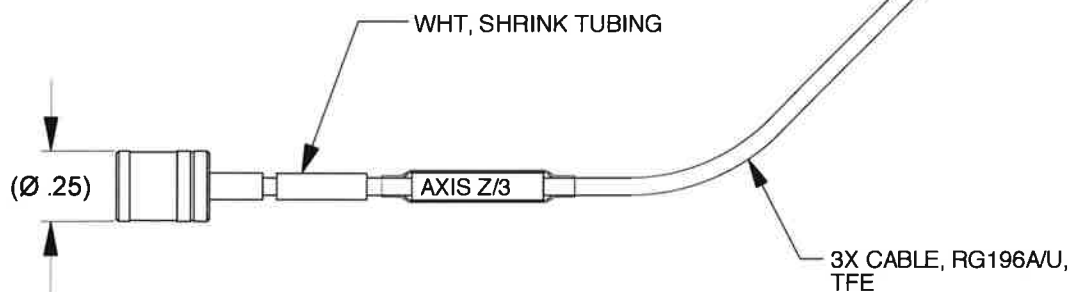
C

C



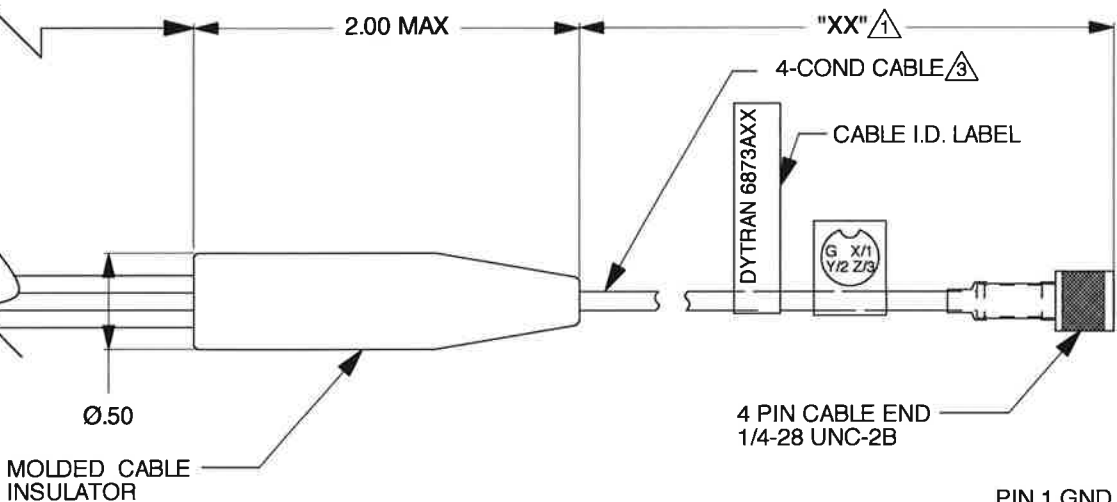
B

B

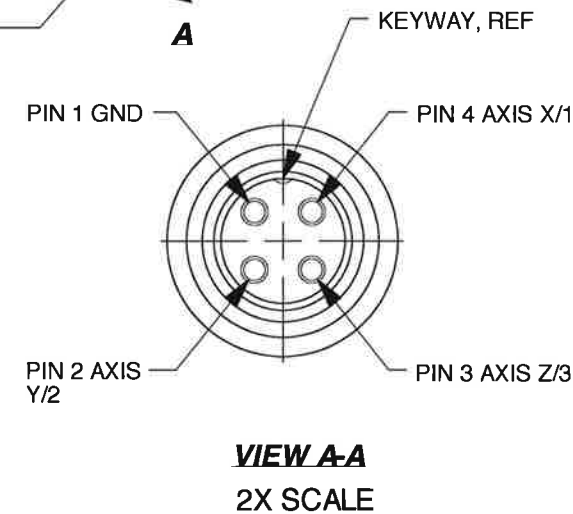


A

A



3 4 CONDUCTOR, CABLE	
CONDUCTORS	30 AWG 7/38 TIN PLATED COPPER SILVER PLATED COPPER BRAID, 90% MIN COVERAGE
SHIELD	SANTOPRENE, .095/105 MAX O.D., COLOR BLACK
JACKET	SANTOPRENE, .095/105 MAX O.D., COLOR BLACK
PERFORMANCE	VOLTAGE RATING : 600 VOLTS, TEMPERATURE RATING: 200°C



- 4** SEE SINGLE CONDUCTOR CABLE SPECIFICATION TABLE.
 - 3** SEE 4 CONDUCTOR CABLE SPECIFICATION TABLE.
 - 2.** OPERATING RANGE: -4°F (-20°C) TO 194°F(90°C)
 - 1** PART NUMBER 6828AXX (XX DENOTES LENGTH IN FEET)
- NOTES: UNLESS OTHERWISE SPECIFIED

1 CABLE TOLERANCES			
ENGLISH		[METRIC]	
> 1FT	+1/-0 IN	> 0.3 m	+25 mm -0 mm
>1 FT - 5 FT	+2/-0 IN	> 0.3 m- 1.5 m	+50 mm -0 mm
>5 FT - 10 FT	+4/-0 IN	>1.5 m -3 m	+100 mm -0 mm
>10 FT - 25 FT	+6/-0 IN	> 3 m -7.5 m	+150 mm -0 mm
>25 FT	+5%/-0%	> 7.5 m	+5%/-0%

UNLESS OTHERWISE SPECIFIED:
 INTERPRET DIM & TOL PER ASME Y14.5M - 1994.
 REMOVE BURRS.
 COUNTERSINK INTERNAL THDS 90° TO MAJOR DIA.
 CHAM EXT THDS 45° TO MINOR DIA.
 THD LENGTHS AND DEPTHS ARE FOR MIN FULL THDS.
 DIMENSIONS APPLY AFTER FINISHING.

UNLESS OTHERWISE SPECIFIED: DIMENSIONS ARE IN INCHES. TOLERANCES ARE:		
DECIMALS XX ± .01 XXX ± .005	ANGLES ± 1°	
APPROVALS		DATE
DRAWN	NC	07/07/08
DESIGN	NC	07/07/08
CHK	DV	07/07/08
APP	DV	07/07/08
DO NOT SCALE DRAWING		THIRD ANGLE PROJECTION USA

DYTRAN INSTRUMENTS, INC. MASTERS ONLY IF IN RED

TITLE: **OUTLINE DRAWING, MINI 4 PIN TO (3) SMB, MODEL 6873A**

SIZE B	CAGE CODE 2W033	DWG NO 127-6873A	REV E
--------	-----------------	------------------	-------

SCALE: SHEET 1 OF 1