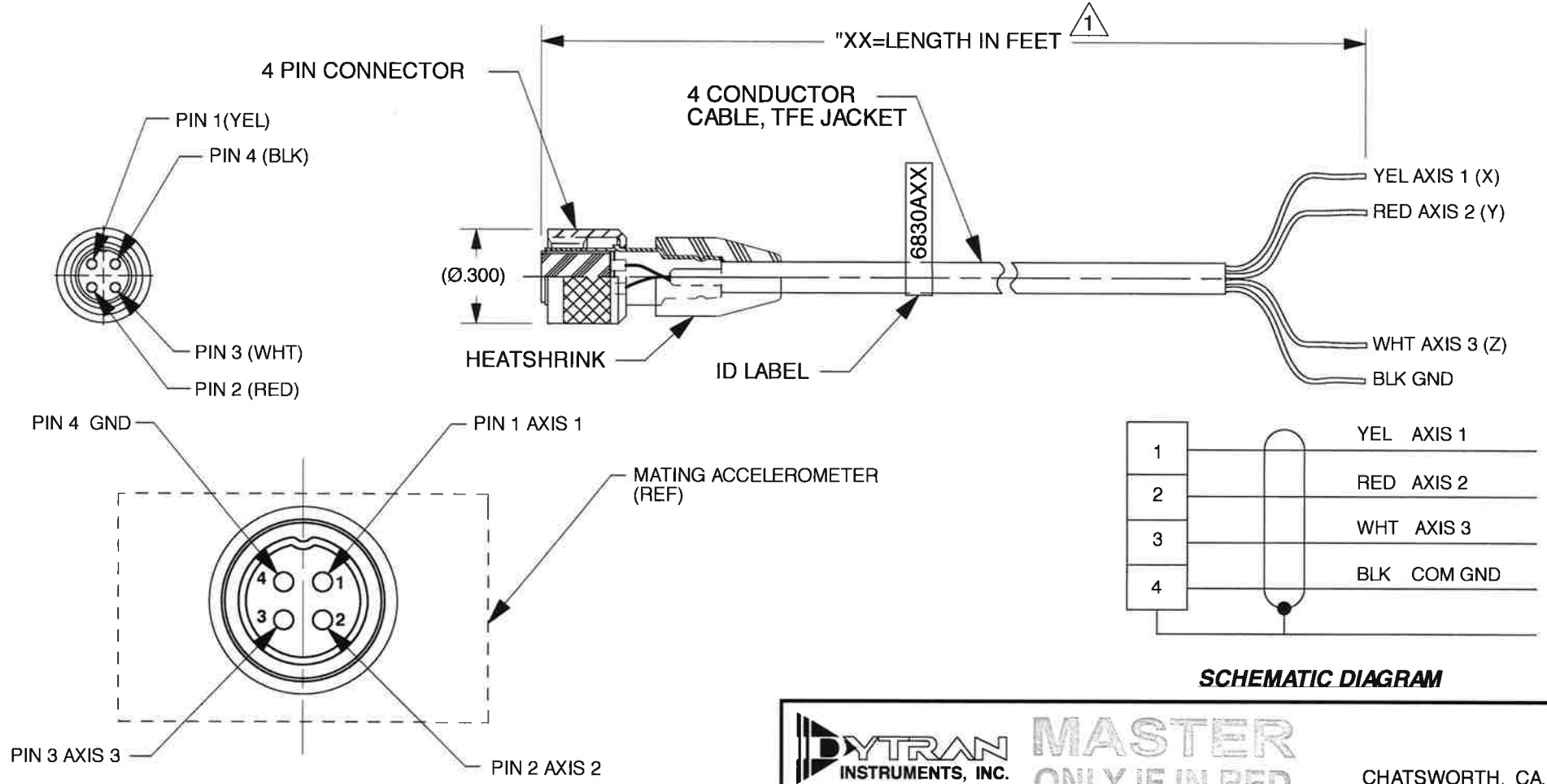


1 CABLE TOLERANCES

ENGLISH		[METRIC]	
2 1FT	+1/-0 IN	2 0.3 m	+25 mm -0 mm
>1 FT - 5 FT	+2/-0 IN	>0.3 m- 1.5 m	+50 mm -0 mm
>5 FT - 10 FT	+4/-0 IN	>1.5 m -3 m	+100 mm -0 mm
>10 FT - 25 FT	+6/-0 IN	>3 m -7.5 m	+150 mm -0 mm
>25 FT	+5%/-0%	>7.5 m	+5%/-0%

REV	ECN	DESCRIPTION	BY/DATE	CHK	APPR
A	8506	REVISED CONNECTOR, ADDED: NOTE 1	JS 04/06/12	LN	EP
B	9931	SEE ECN	AB 05/08/13	JS	RT
C	12979	DRAWING TITLE, IS: ...PIGTAIL... WAS...CUT OFF...	LA 09/28/16	JS	AS
D	13717	RELOCATED OVERALL DIMENSION	RA 09/14/17	MH	WJ



MATING REFERENCE
4X SCALE

SCHEMATIC DIAGRAM

DYTRAN INSTRUMENTS, INC. CHATSWORTH, CA
MASTER ONLY IF IN RED

SCALE	2X	REV	-	DATE	-	ECN	SEE REV BLK
DATE	4/22/04	PART NO.	127-6830AXX				
DRAWN	PML	CHECKED	JS	MAT'L			
APPROVED	AS	NEXT ASSEMBLY			USED ON	6830AXX	
TITLE	OUTLINE DRAWING, 4-PIN TO PIGTAIL, MODEL 6830AXX					DWG NO.	127-6830A
						SHEET	1 OF 1

1 CABLE LENGTH DETERMINED BY VARIABLE NUMBER. FOR EXAMPLE 6830A10 IS A 10 FOOT CABLE.