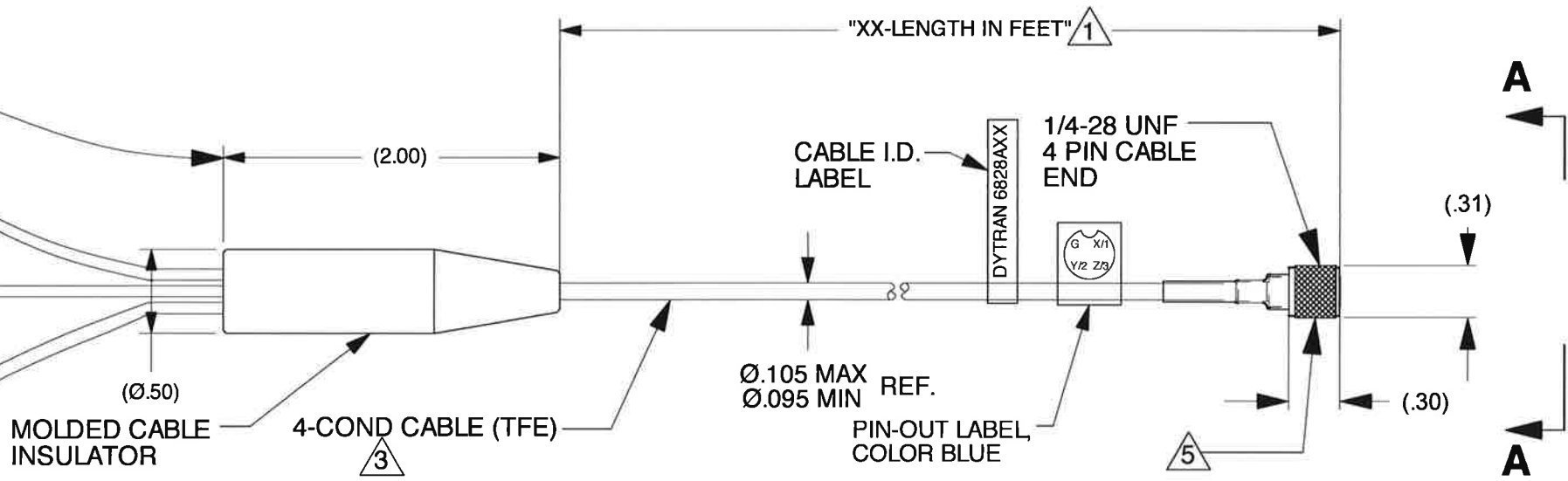
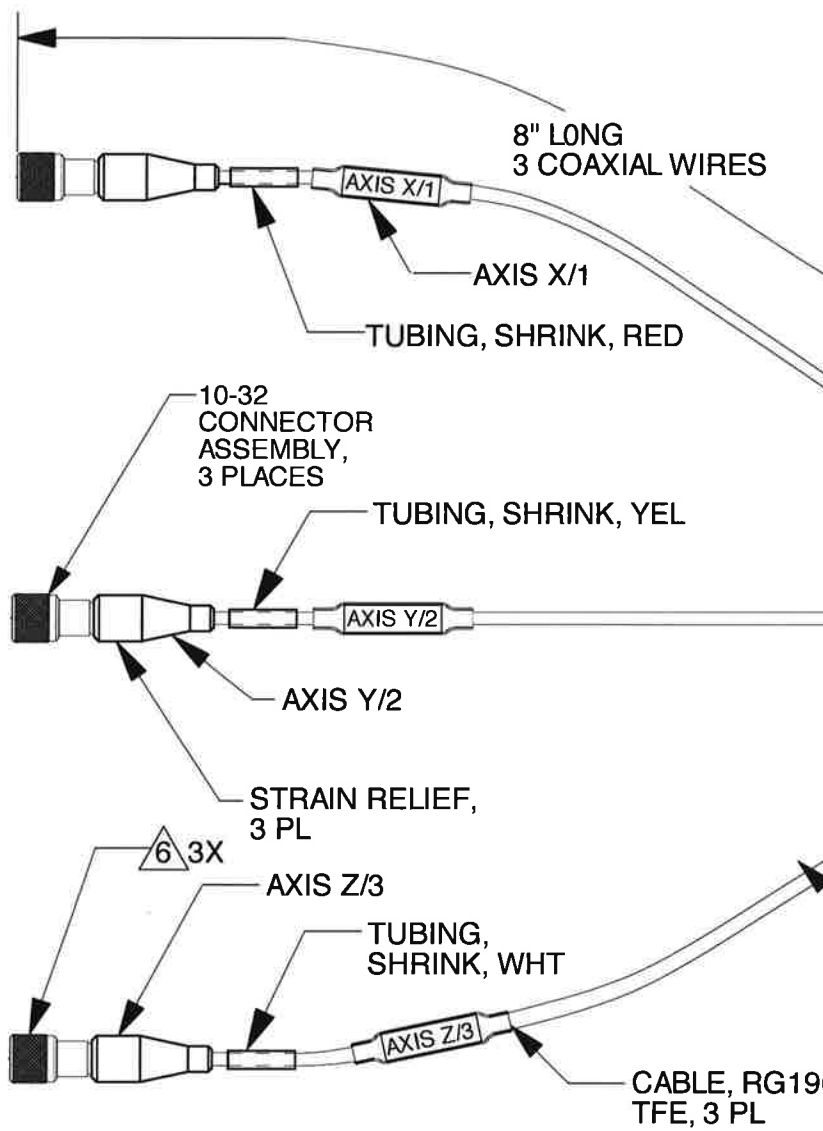
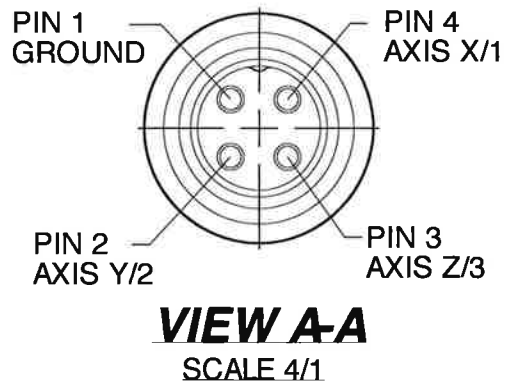
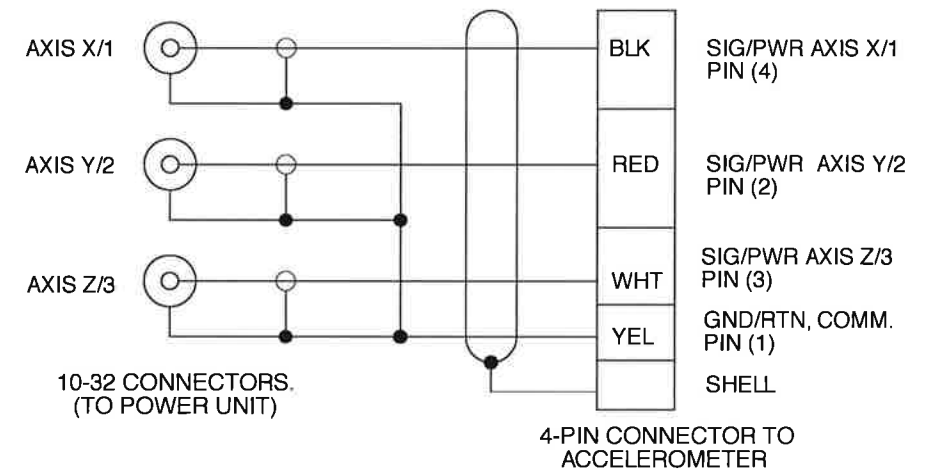


REV	ECN	DESCRIPTION	BY/DATE	CHK	APPR
C	6162	SEE ECN	RLA 8/07/09	EP	DV
D	8955	ADDED SCHEMATIC DIAGRAM, REVISED VIEW OF 4 PIN CONNECTOR (.30) WAS: (.25) (Ø.31) WAS: (Ø.30) ADDED RED, YEL, WHT SHRINK TUBING	RLA 8/07/12	EM	DV
E	9717	SEE ECN	AB 03/08/13	11	W

3 4 CONDUCTOR, CABLING PER M27500	
CONDUCTORS	30 AWG 7/38 SILVER PLATED COPPER
SHIELD	SILVER PLATED COPPER BRAID, 90% MIN COVERAGE
JACKET	FEP, .006/.015 WALL, .095/.105 O.D., COLOR BLACK
PERFORMANCE	VOLTAGE RATING: 250 VOLTS TEMPERATURE RATING: 200° C



4 SINGLE CONDUCTOR SHIELDED LOW NOISE CABLE	
AWG	30-7/38 SILVER PLATED COPPER
TEMP	200°C WIRE RATED
WITHSTANDING VOLTAGE	2000 VAC
CONDUCTOR INSULATION	EXTRUDED PTFE, NATURAL, Ø.033 ±.002
CAPACITANCE (SHIELD TO CONDUCTOR)	32 pF/FT
LOW NOISE WRAP #1 AND #2	CARBON TAPE
IMPEDANCE	50 OHMS
INDUCTANCE	.80 microH/FT
SHIELD	38 AWG SILVER PLATED COPPER BRAID, 95% MIN COVERAGE, Ø.054 NOM
RESISTANCE	.20 OHM
JACKET	WHT PTFE WRAP .005 -.010 WALL
DIAMETER	Ø.074±.006
MINIMUM BEND RADIUS	1 IN



- 6 MATERIAL: BODY, BUSHING, CAP, COUPLING NUT: STAINLESS STEEL, PASSIVATED CONTACT, REAR BODY, CRIMP SLEEVE: BRASS, GOLD INSULATORS: TEFLON O-RING: VITON
- 5 MATERIAL: SHELL/THUMB NUT: BRASS C360, GOLD PLATED PLUG INSERT: TEFLON SOCKETS: BERYLLIUM COPPER, GOLD PLATED CRIMP SLEEVE: BRASS C360, GOLD PLATED
- 4 SEE CABLE SPECIFICATION TABLE.
- 3 SEE CABLE SPECIFICATION TABLE.
- 2 OPERATING RANGE: -67°F (-55°C) TO 230°F(110°C)
- 1 XX=WILL VARY IN FEET PER CUSTOMER REQUIREMENTS, FOR EXAMPLE: 6828A10 = 10 FT CABLE LENGTH

DYTRAN INSTRUMENTS, INC. CHATSWORTH, CA

MASTER ONLY IF IN RED

SCALE 2/1	REV -	DATE SEE REV BLK	ECN -
DATE 4/6/04	PART NO. MODEL 6828AXX		
DRAWN R.A.	CHECKED N.C.	MAT'L	
APPROVED CES	NEXT ASSEMBLY	USED ON	
TITLE OUTLINE/INSTALLATION DRAWING, CABLE ASSEMBLY, MINI 4 PIN. PLUG TO (3) 10-32			DWG NO. 127-6828A
			SHEET 1 OF 1