

PROPRIETARY AND CONFIDENTIAL

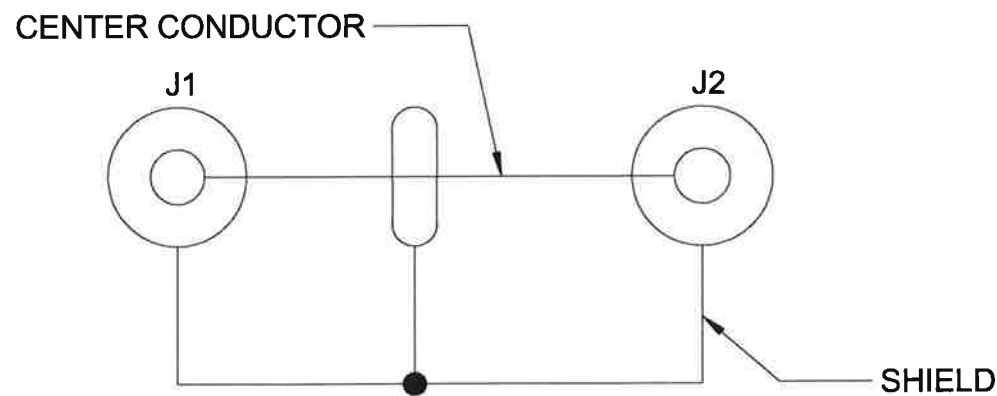
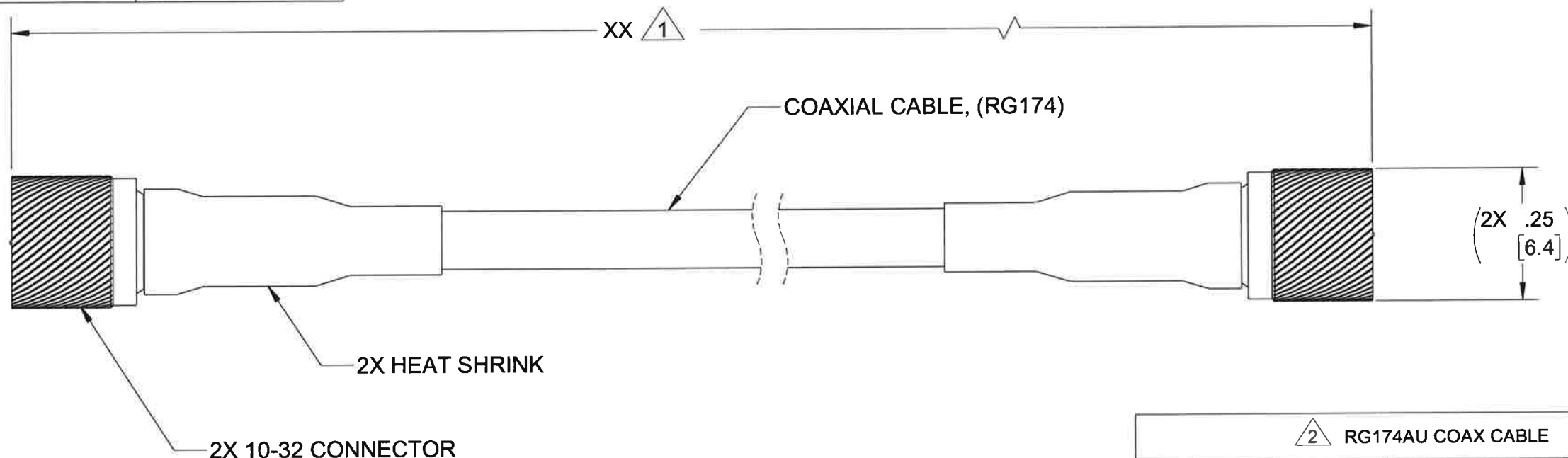
THE INFORMATION CONTAINED IN THIS DRAWING IS THE SOLE PROPERTY OF DYTRAN INSTRUMENTS INC. ANY REPRODUCTION IN PART OR AS A WHOLE WITHOUT THE WRITTEN PERMISSION OF DYTRAN INSTRUMENTS INC. IS PROHIBITED

REVISIONS

REV.	ECN	DESCRIPTION	BY/DATE	CHK	APPR
B	12786	REDRAWN ON SOLIDWORKS	07/15/16	SP	AS

1 CABLE LENGTH TOLERANCE

ENGLISH		[METRIC]	
≤1FT	+1/ -0 IN	≤0.3m	+25mm -0mm
>1 FT - 5 FT	+2/ -0 IN	.0.3 m-1.5m	+50mm -0mm
> 5 FT - 10 FT	+4/ -0 IN	>1.5m-3m	+100mm -0mm
>10 FT - 25FT	+6 / -0 IN	>3m-7.5m	+150mm -0mm
>25 FT	+5% / -0%	>7.5m	+5%/-0%



SCHMATIC

- 2 SEE CABLE SPECIFICATION TABLE.
- 1 MODEL NUMBER: 6400AXX. "XX" DENOTES CABLE LENGTH IN FEET. SEE TABLE FOR CABLE LENGTH TOLERANCE.

NOTES: UNLESS OTHERWISE SPECIFIED

2 RG174AU COAX CABLE

INNER CONDUCTOR	26 AWG 7/34 BARE COPPER CLAD STEEL (COPPER WELD)
DIELECTRIC MATERIAL	EXTRUDED POLYOLEFIN
SHIELD	BRAIDED TINNED COPPER, 38 AWG, 4 ENDS, 85% MIN COVERAGE
JACKET	EXTRUDED PVC (NON-CONTAMINATING), COLOR BLK
DIAMETER	.110 ±.005
TEMPERATURE RATING	-40 °C TO 85 °C
NOMINAL IMPEDANCE (OHMS)	50 ±2
MAX CONDUCTOR RESISTANCE (OHMS)	9.67 / 100FT

UNLESS OTHERWISE SPECIFIED:
 INTERPRET DIM & TOL PER ASME Y14.5M - 1994.
 REMOVE BURRS.
 COUNTERSINK INTERNAL THDS 90° TO MAJOR DIA.
 CHAM EXT THDS 45° TO MINOR DIA.
 THD LENGTHS AND DEPTHS ARE FOR MIN FULL THDS.
 DIMENSIONS APPLY AFTER FINISHING.

ALL MACHINED SURFACES.
 TOTAL RUNOUT WITHIN .005.
 BREAK SHARP EDGES .005 TO .010.
 MACHINED FILLET RADII .005 TO .015.
 WELDING SYMBOLS PER AWS A2.4.
 ABBREVIATIONS PER MIL-STD-12.

DECIMALS	METRIC	ANGLES
.XX ±.03	.X ± 0.8	±1°
.XXX ±.010	.XX ±0.25	

APPROVALS		DATE
ORIG	AB	04/15/13
CHK	RA	04/16/13
APP	DV	04/22/13

DO NOT SCALE DRAWING

THIRD ANGLE PROJECTION USA

DYTRAN INSTRUMENTS, INC. MASTER COPY IN RED
 Chatsworth, CA

TITLE: **OUTLINE/INSTALLATION DRAWING, 10-32 TO 10-32, MODEL 6400A**

SIZE B	CAGE CODE 2W033	DWG NO 127-6400A	REV B
---------------	------------------------	-------------------------	--------------

SCALE: 4:1 SHEET 1 OF 1